

THIS DRAWING IS UNPUBLISHED.

RELEASED FOR PUBLICATION

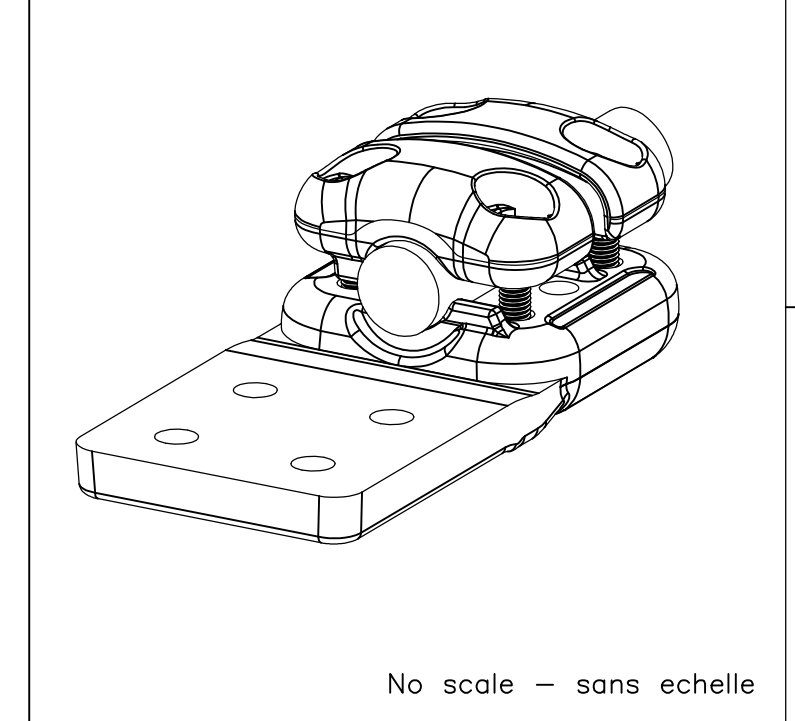
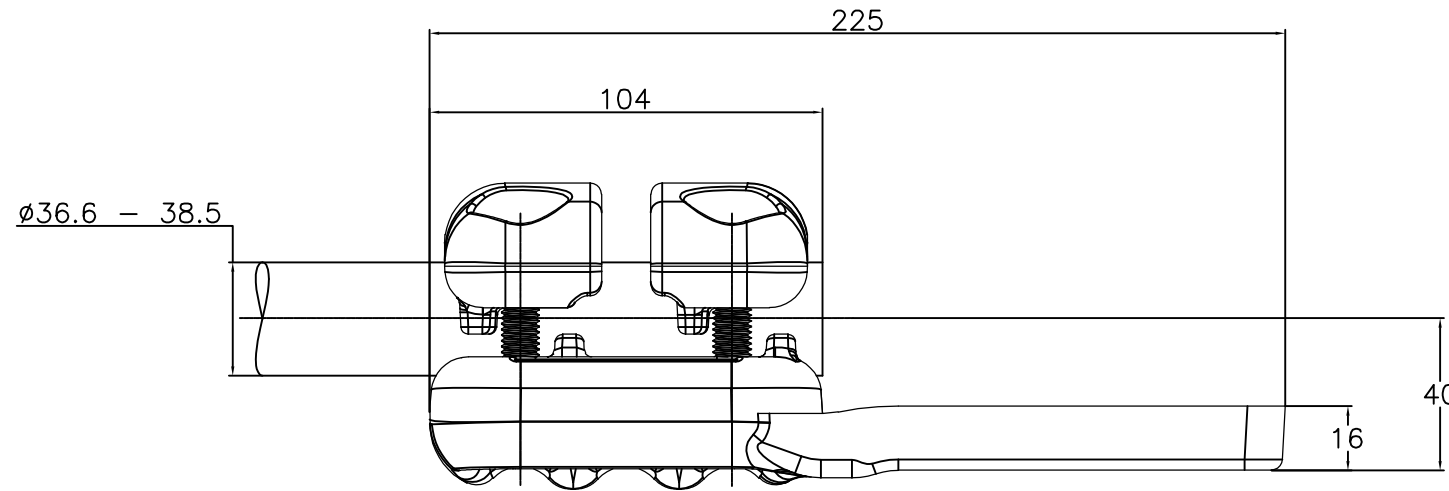
-. - .

© COPYRIGHT - By -

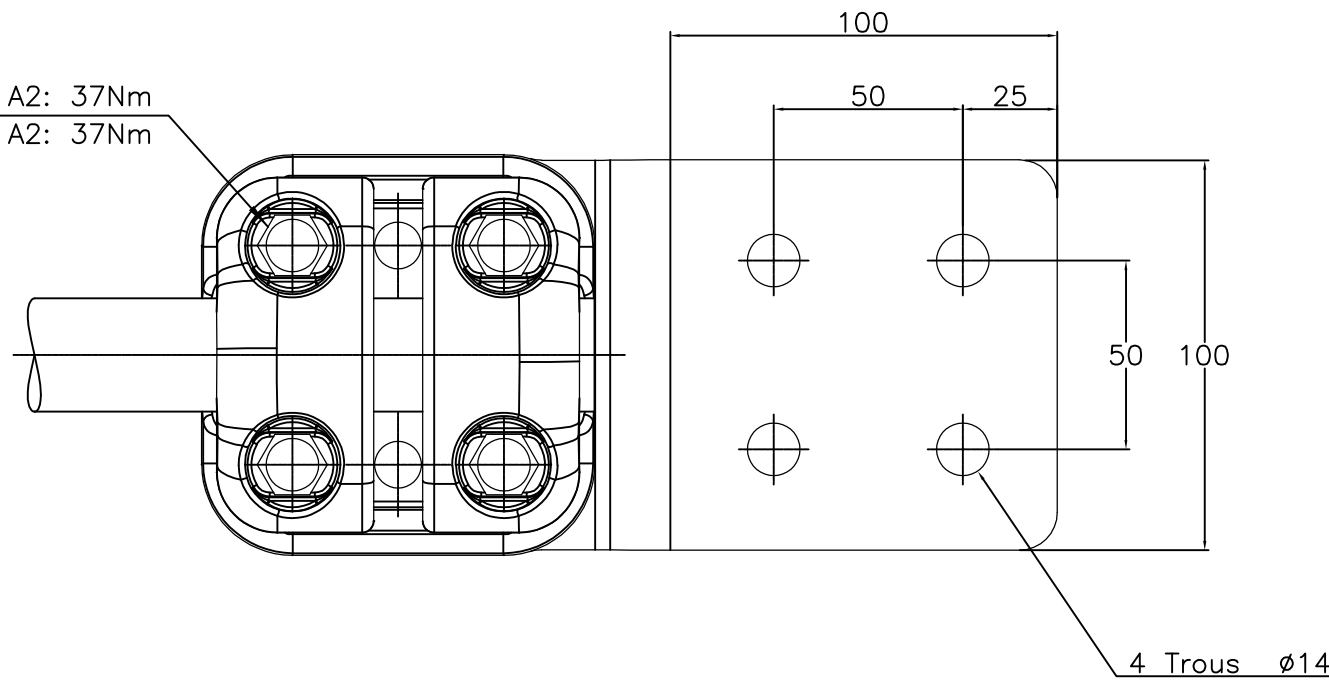
ALL RIGHTS RESERVED.

REVISIONS

P	LTR	DESCRIPTION	DATE	DWN	APVD
	A	CREATION	20-Fev-17	TC	-



M10 Bolts stainless steel A2: 37Nm
 Boulons M10 acier inoxydable A2: 37Nm



ITEM:.....

THIS DRAWING IS A CONTROLLED DOCUMENT.

DWN CHARTON 20-Fev-17

CHK -

APVD -

PRODUCT SPEC

108-69096-001

APPLICATION SPEC

-

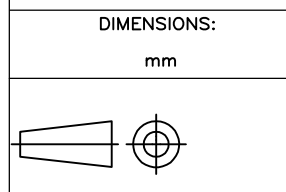
APPROX.WEIGHT 1.5 kg

CUSTOMER DRAWING



NAME Pad connector for single conductor
 Connecteur à plage pour faisceau simple
 5 PD 82 M385 100 C34

SIZE A3 CAGE CODE - DRAWING NO ©=2314461 RESTRICTED TO -



DIMENSIONS:		TOLERANCES UNLESS OTHERWISE SPECIFIED:	
mm			
0 PLC	± -	1 PLC	± -
1 PLC	± -	2 PLC	± -
2 PLC	± -	3 PLC	± -
3 PLC	± -	4 PLC	± -
4 PLC	± -	ANGLES	± -
MATERIAL -		FINISH -	

SCALE 1/2 SHEET 1 OF 1 REV A