

THIS DRAWING IS UNPUBLISHED.

RELEASED FOR PUBLICATION

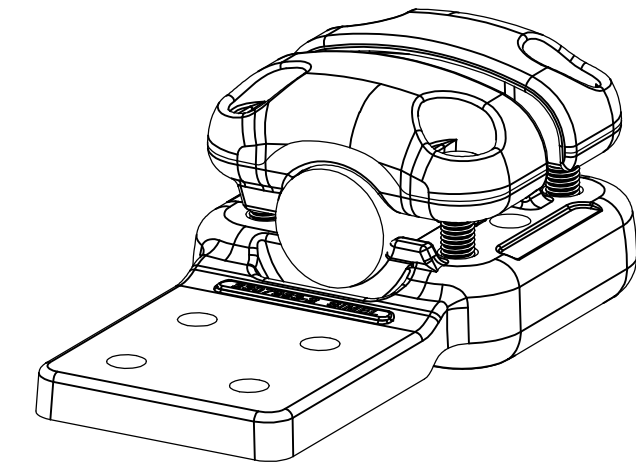
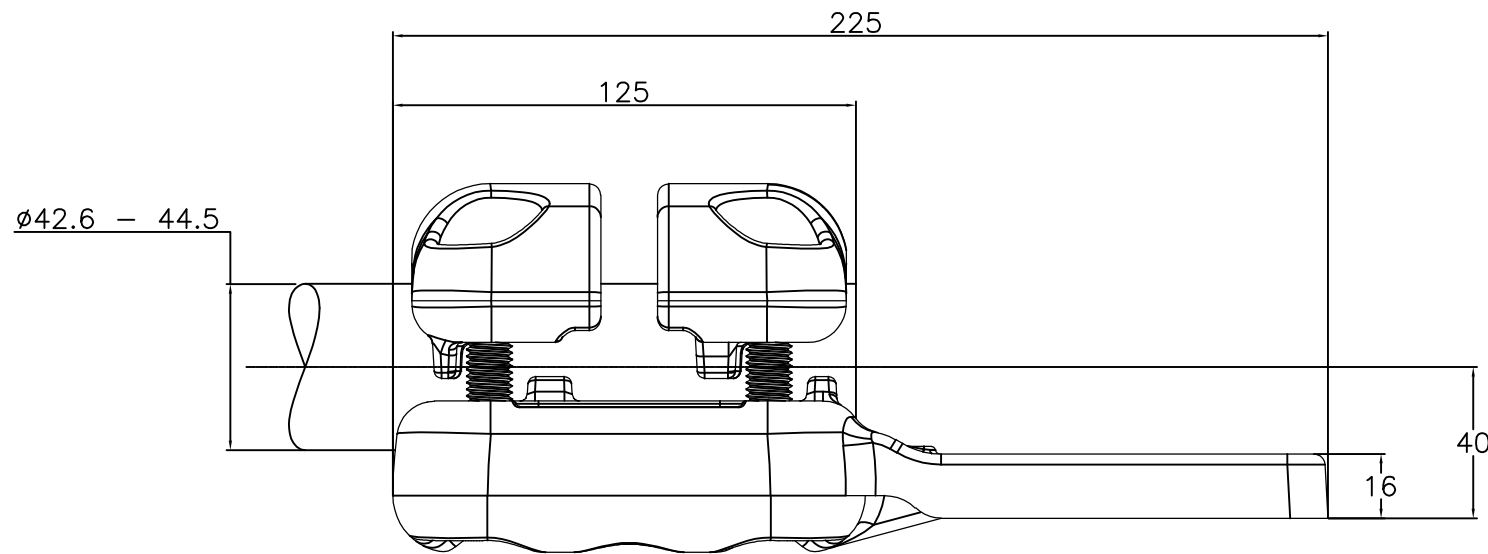
-. - .

REVISIONS

© COPYRIGHT - By -

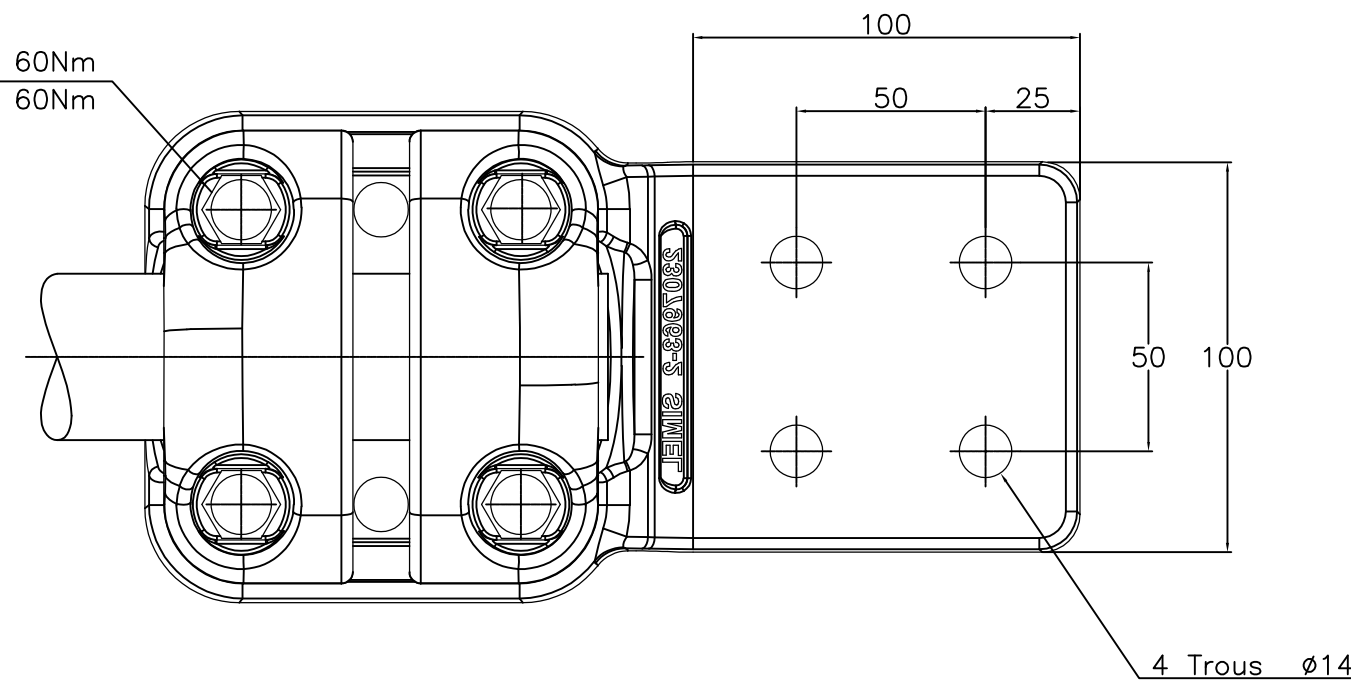
ALL RIGHTS RESERVED.

| P | LTR | DESCRIPTION | DATE | DWN | APVD |
|---|-----|-------------|-----------|-----|------|
| | A | CREATION | 20-Feb-17 | TC | - |



No scale - sans echelle

M12 Bolts stainless steel A2: 60Nm
 Boulons M12 acier inoxydable A2: 60Nm



ITEM:.....

| | | | | | |
|--|--|------------------|---------------|---|-----------|
| THIS DRAWING IS A CONTROLLED DOCUMENT. | | DWN CHARTON | 20-Feb-17 | STE TE Connectivity | |
| DIMENSIONS: mm | | CHK | - | | |
| TOLERANCES UNLESS OTHERWISE SPECIFIED: | | APVD | - | NAME Pad connector for single conductor Connecteur à plage pour faisceau simple | |
| 0 PLC ± - | | PRODUCT SPEC | - | 5 PD 82 L445 100 C34 | |
| 1 PLC ± - | | APPLICATION SPEC | 108-69096-001 | SIZE | A3 |
| 2 PLC ± - | | | | CAGE CODE | - |
| 3 PLC ± - | | | | DRAWING NO | ©=2314456 |
| 4 PLC ± - | | | | RESTRICTED TO | - |
| ANGLES ± - | | | | APPROX.WEIGHT | 2.6 kg |
| FINISH | | | | CUSTOMER DRAWING | |
| MATERIAL | | | | SCALE | 1/2 |
| | | | | SHEET | 1 OF 1 |
| | | | | REV | A |