

THIS DRAWING IS UNPUBLISHED.

RELEASED FOR PUBLICATION

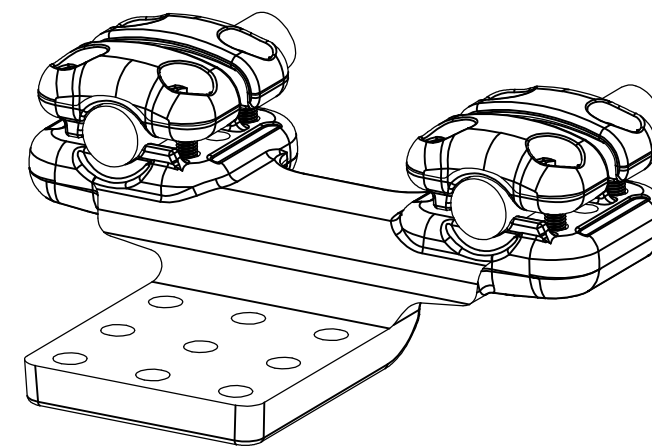
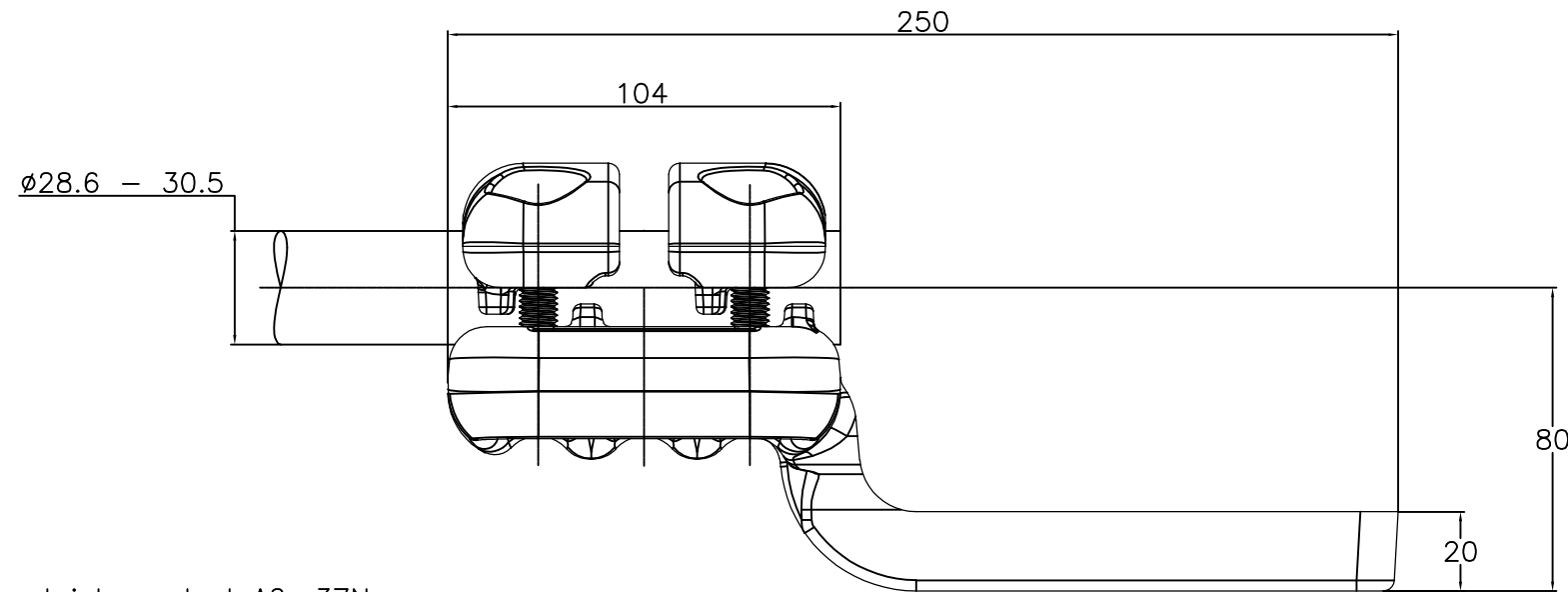
-. - .

REVISIONS

© COPYRIGHT - By -

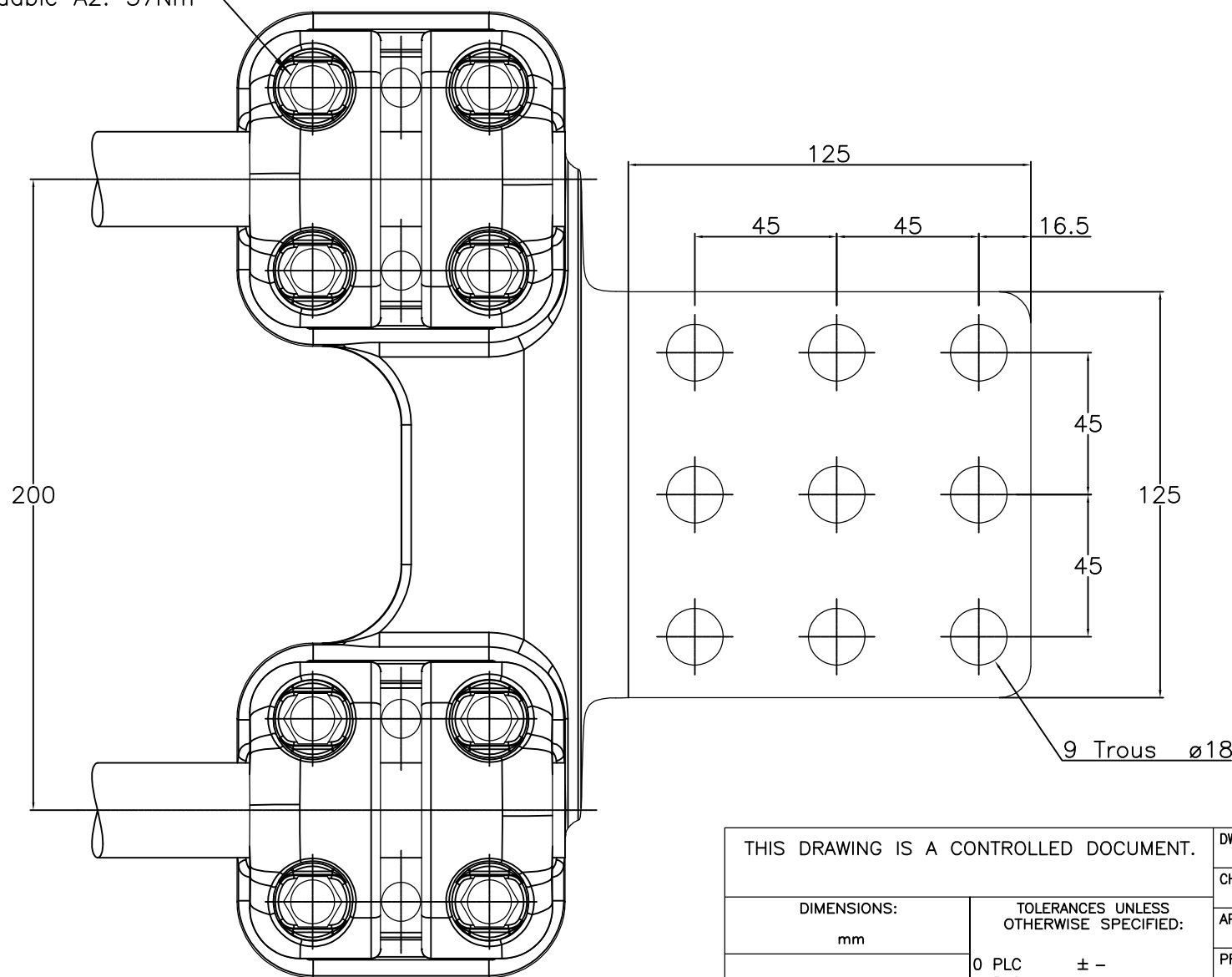
ALL RIGHTS RESERVED.

P	LTR	DESCRIPTION	DATE	DWN	APVD
	A	CREATION	13-Fev-17	PG	-



No scale - sans echelle

M10 Bolts stainless steel A2: 37Nm  
Boulons M10 acier inoxydable A2: 37Nm



ITEM:.....

THIS DRAWING IS A CONTROLLED DOCUMENT.

DWN GARNIER P. 13-Fev-17

CHK -

APVD -

PRODUCT SPEC

108-69096-001

APPLICATION SPEC

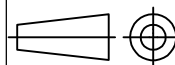
-

APPROX.WEIGHT 3.6 kg

CUSTOMER DRAWING

DIMENSIONS:  
mm

TOLERANCES UNLESS OTHERWISE SPECIFIED:



- 0 PLC ± -
- 1 PLC ± -
- 2 PLC ± -
- 3 PLC ± -
- 4 PLC ± -
- ANGLES ± -
- FINISH -

MATERIAL -



NAME Pad connector for twin cables  
Raccord a plaque pour 2 cables  
5 PD 82 F M305 E200 125 C175

SIZE	CAGE CODE	DRAWING NO	RESTRICTED TO
A3	-	©=2314424	-

SCALE	SHEET	REV
1/2	1 OF 1	A