

THIS DRAWING IS UNPUBLISHED.

RELEASED FOR PUBLICATION

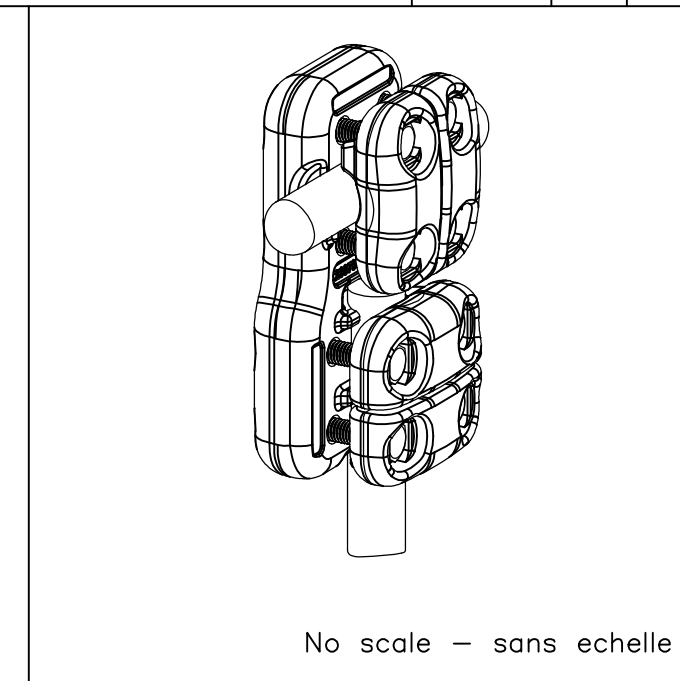
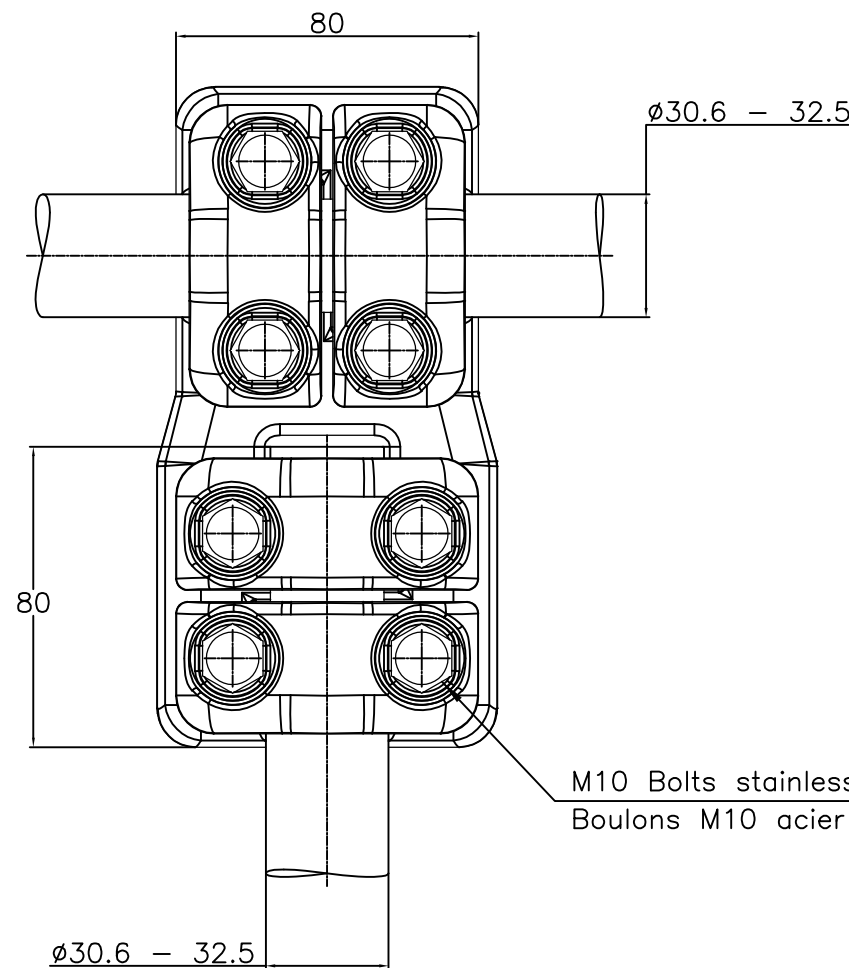
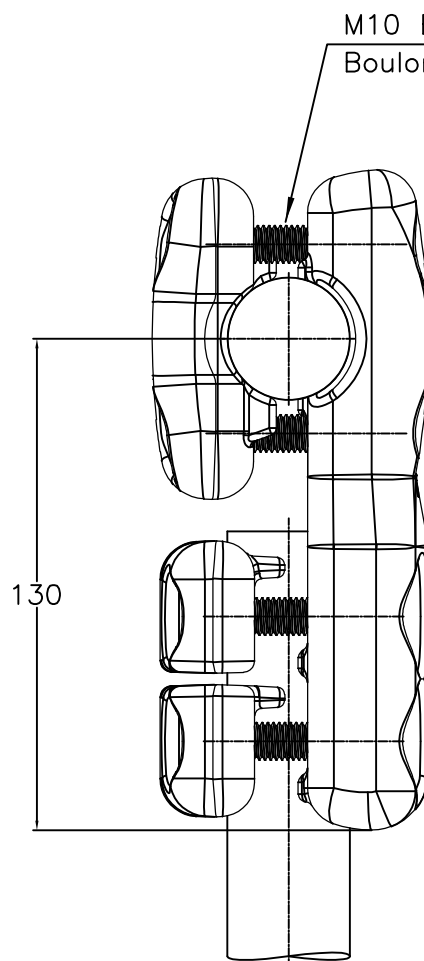
-. - .

© COPYRIGHT - By -

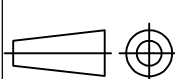
ALL RIGHTS RESERVED.

REVISIONS

P	LTR	DESCRIPTION	DATE	DWN	APVD
	A	CREATION	10-Fev-17	PG	-



ITEM:.....

THIS DRAWING IS A CONTROLLED DOCUMENT.		DWN GARNIER P.	10-Fev-17	STE TE Connectivity	
DIMENSIONS: mm		CHK	-		
TOLERANCES UNLESS OTHERWISE SPECIFIED:		APVD	-	NAME Tee connector Connecteur en T 5 CT 82 S325	
		PRODUCT SPEC	108-69096-001	RESTRICTED TO	
MATERIAL		APPLICATION SPEC	-	SIZE	A3
FINISH		APPROX.WEIGHT	1.5 kg	CAGE CODE	00779
		CUSTOMER DRAWING		DRAWING NO	C=2314420
		SCALE	1/2	SHEET	1 OF 1
		REV	A		