

THIS DRAWING IS UNPUBLISHED.

RELEASED FOR PUBLICATION

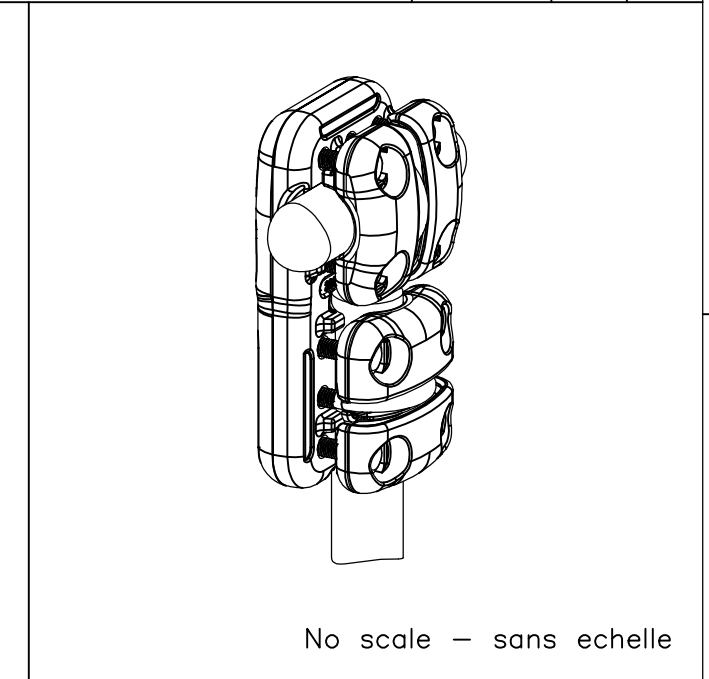
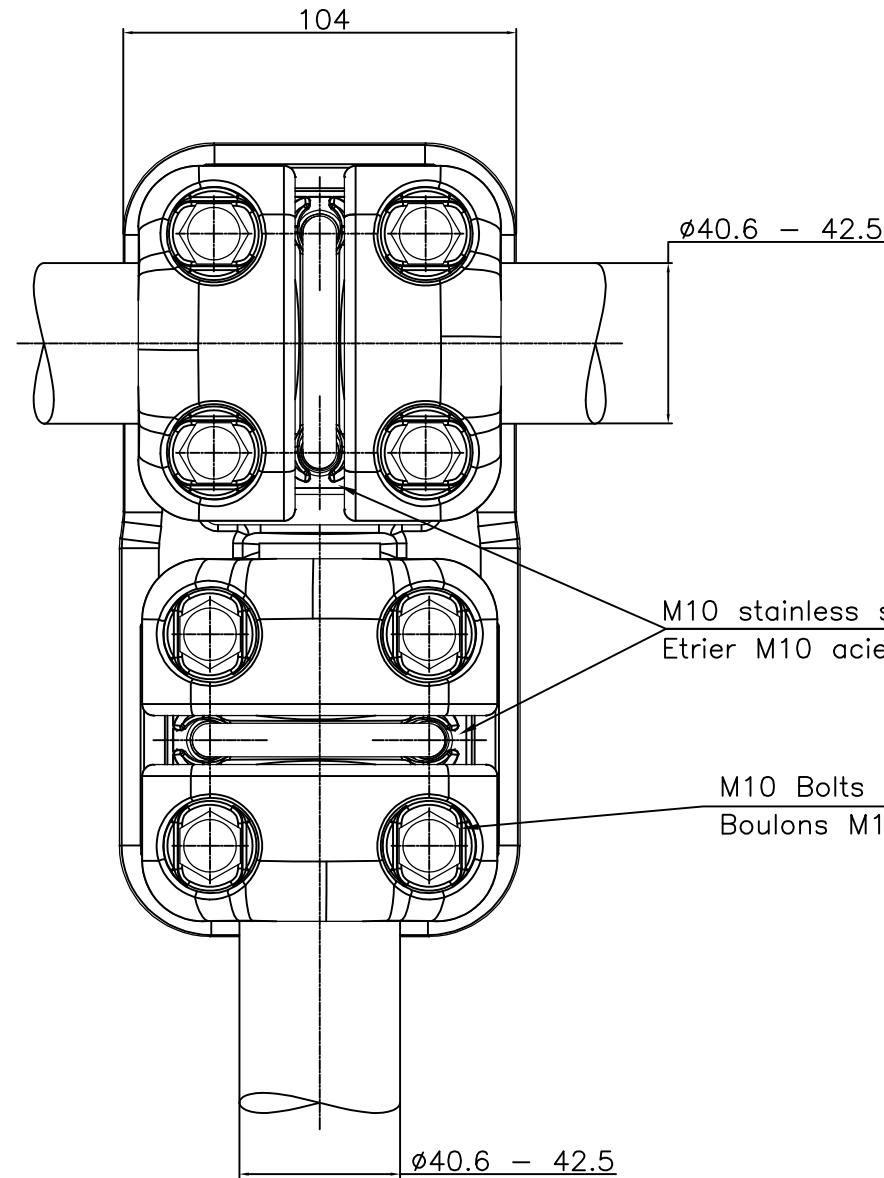
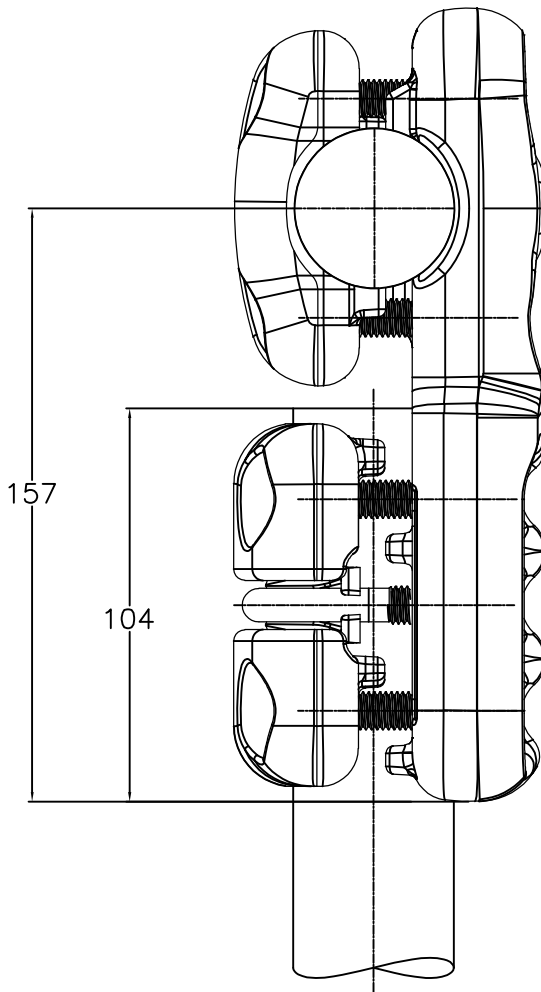
-. - .

REVISIONS


© COPYRIGHT - By -

ALL RIGHTS RESERVED.

P	LTR	DESCRIPTION	DATE	DWN	APVD
	A	CREATION	10-Feb-17	PG	-



ITEM:.....

THIS DRAWING IS A CONTROLLED DOCUMENT.		DWN GARNIER P.	10-Feb-17	 TE Connectivity													
DIMENSIONS: mm		CHK	-														
TOLERANCES UNLESS OTHERWISE SPECIFIED:		APVD	-	NAME Tee connector Connecteur en T 5 CT 82 MR425													
<table border="0"> <tr> <td>0 PLC</td> <td>± -</td> </tr> <tr> <td>1 PLC</td> <td>± -</td> </tr> <tr> <td>2 PLC</td> <td>± -</td> </tr> <tr> <td>3 PLC</td> <td>± -</td> </tr> <tr> <td>4 PLC</td> <td>± -</td> </tr> <tr> <td>ANGLES</td> <td>± -</td> </tr> </table>		0 PLC	± -	1 PLC	± -	2 PLC	± -	3 PLC	± -	4 PLC	± -	ANGLES	± -	PRODUCT SPEC	108-69096-001	RESTRICTED TO	
0 PLC	± -																
1 PLC	± -																
2 PLC	± -																
3 PLC	± -																
4 PLC	± -																
ANGLES	± -																
MATERIAL		APPLICATION SPEC	-	SIZE	A3												
FINISH		APPROX.WEIGHT	2.2 kg	CAGE CODE	00779												
		CUSTOMER DRAWING		DRAWING NO	C=2314417												
				SCALE	1/2												
				SHEET	1 OF 1												
				REV	A												