

THIS DRAWING IS UNPUBLISHED.

RELEASED FOR PUBLICATION

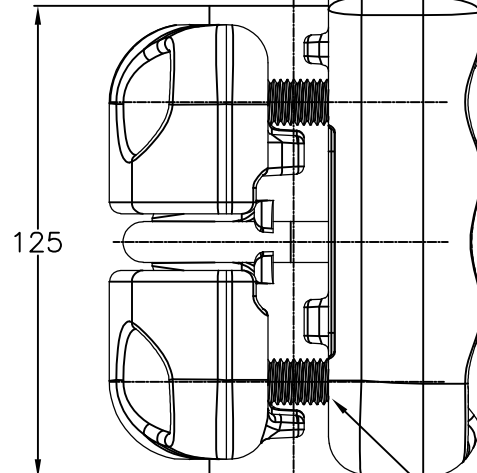
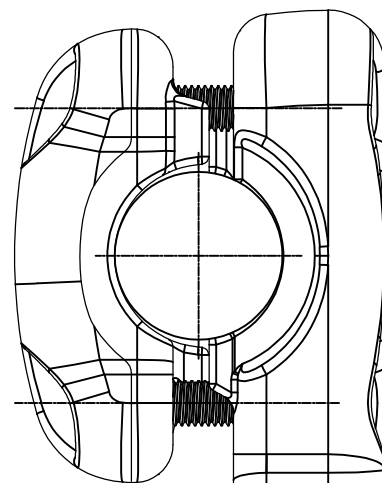
-. - .

REVISIONS

© COPYRIGHT - By -

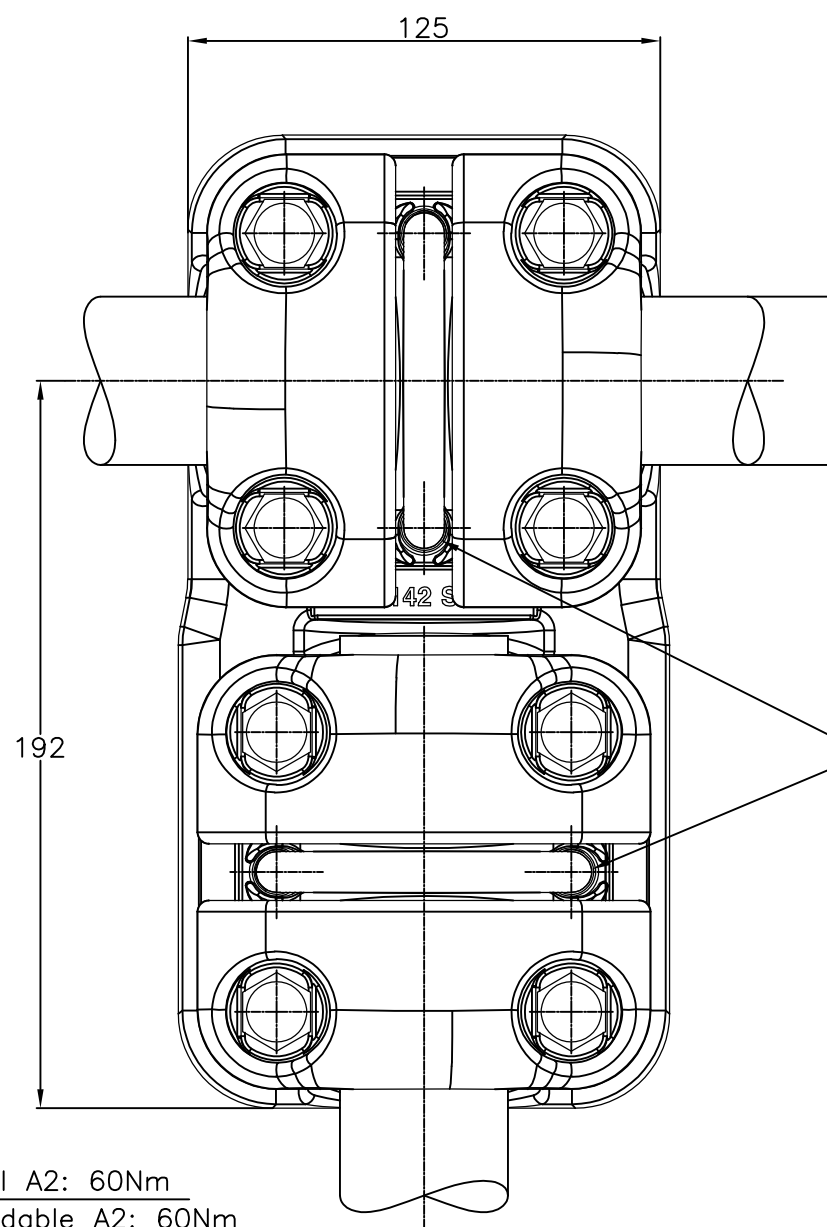
ALL RIGHTS RESERVED.

P	LTR	DESCRIPTION	DATE	DWN	APVD
	A	CREATION	13-Jan-17	PG	-



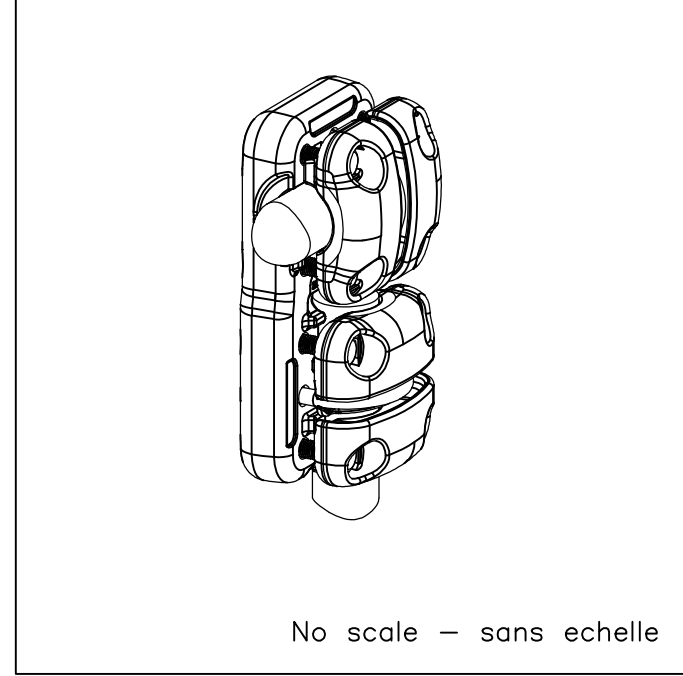
ø42.6 - 44.5

M12 Bolts stainless steel A2: 60Nm  
 Boulons M12 acier inoxydable A2: 60Nm




ø42.6 - 44.5

M12 stainless steel U-Bolt A4: 60Nm  
 Etrier M12 acier inoxydable A4: 60Nm



No scale - sans echelle

ITEM:.....

THIS DRAWING IS A CONTROLLED DOCUMENT.		DWN	13-Jan-17		 <b>TE Connectivity</b>
		CHK	-		
		APVD	-		
		PRODUCT SPEC	-		
DIMENSIONS: mm		TOLERANCES UNLESS OTHERWISE SPECIFIED:		NAME	
		0 PLC ± -		Tee connector	
		1 PLC ± -		Connecteur en T	
		2 PLC ± -		5 CT 82 LR445	
		3 PLC ± -		SIZE	
		4 PLC ± -		CAGE CODE	
		ANGLES ± -		DRAWING NO	
		FINISH		RESTRICTED TO	
MATERIAL		-		-	
		APPROX.WEIGHT		3.8 kg	
		CUSTOMER DRAWING		A3 00779	
		SCALE		1/2	
		SHEET		1 OF 1	
		REV		A	