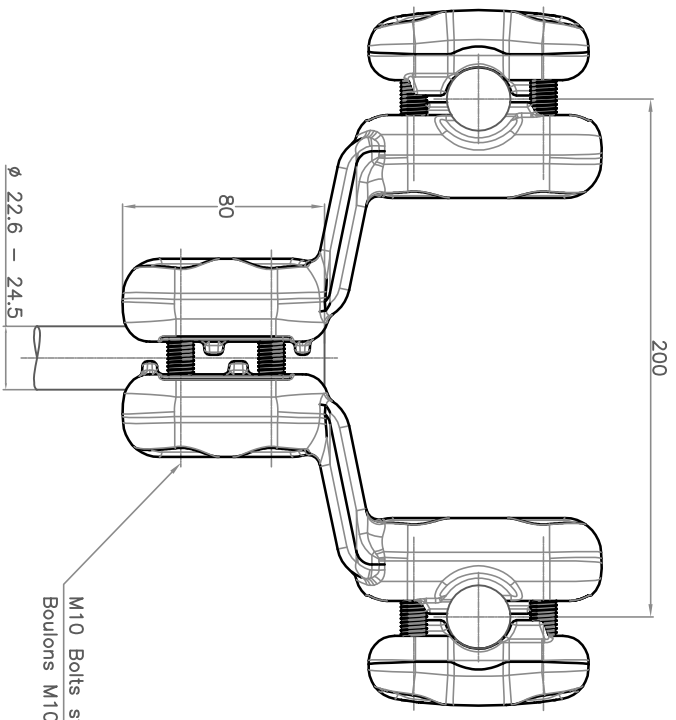
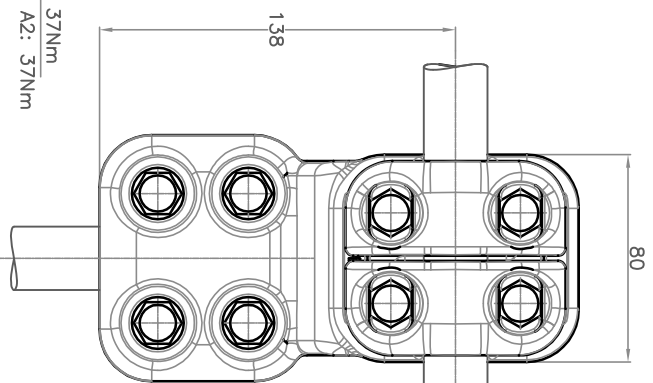


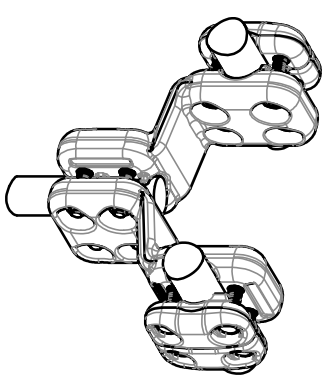
P	LTR	DESCRIPTION	DATE	DMN	APPD
A	CREATION		10-Jan-17	PG	-



M10 Bolts stainless steel A2: 37Nm
 Boulons M10 acier inoxydable A2: 37Nm



∅ 22.6 - 24.5



No scale - sans echelle

THIS DRAWING IS A CONTROLLED DOCUMENT.

DMN **GARNIER P** 10-Jan-17
 CHK -



TE Connectivity

DIMENSIONS:
mm



TOLERANCES UNLESS OTHERWISE SPECIFIED:

0. PLC	±
1. PLC	±
2. PLC	±
3. PLC	±
4. PLC	±
ANGLES	±

MATERIAL

-

APPROX. WEIGHT

2.7 kg

CUSTOMER DRAWING

NAME Tee connector twin to single

Connecteur en T faisceau double / simple

5 CT 82 F S245 E200 S245

SIZE A3

DATE CODE 00779

DRAWING NO. C=2314405

RESTRICTED TO

SCALE 1/2

SHEET 1 of 1

REV A

ITEM: