

THIS DRAWING IS UNPUBLISHED.

RELEASED FOR PUBLICATION

-. - .

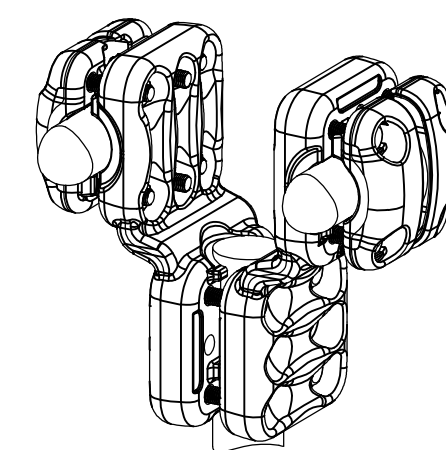
REVISIONS

© COPYRIGHT - By -

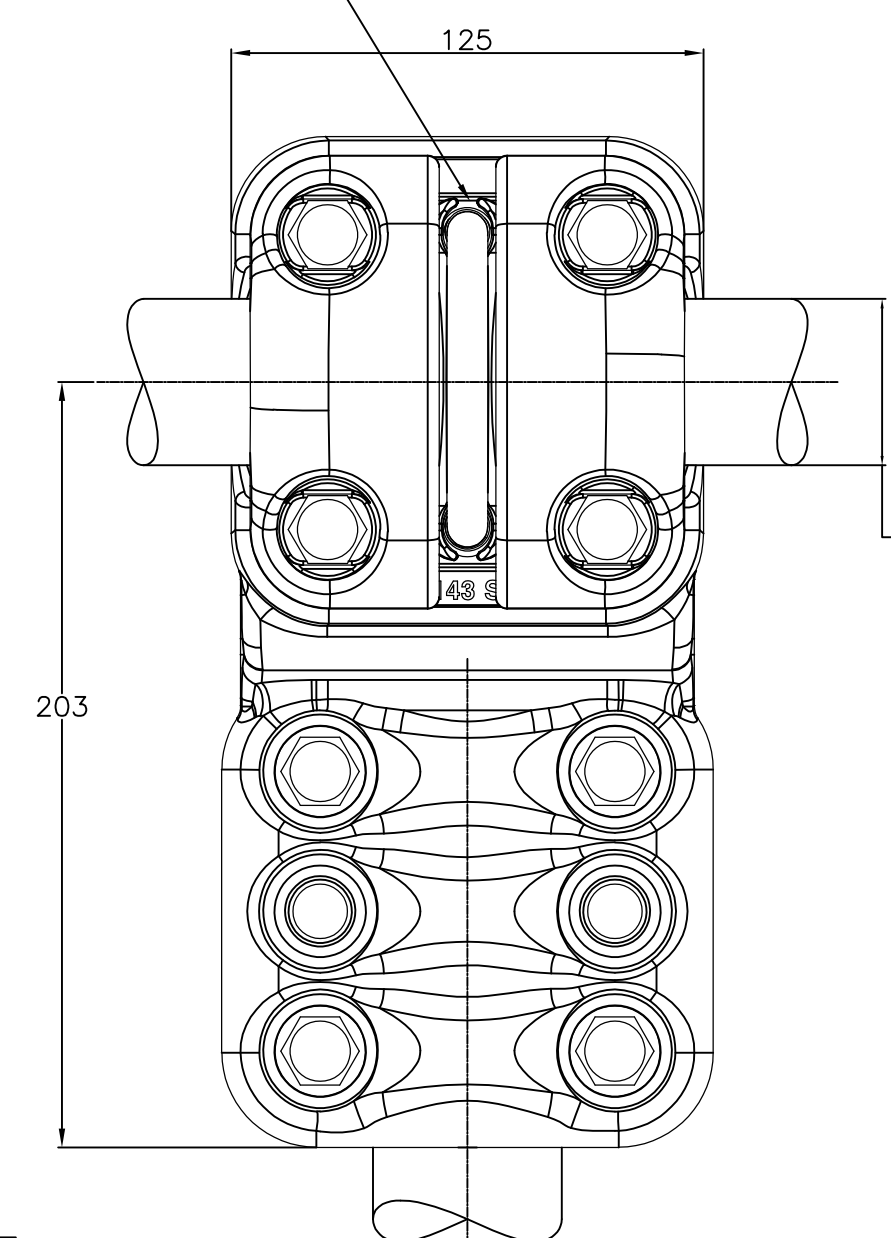
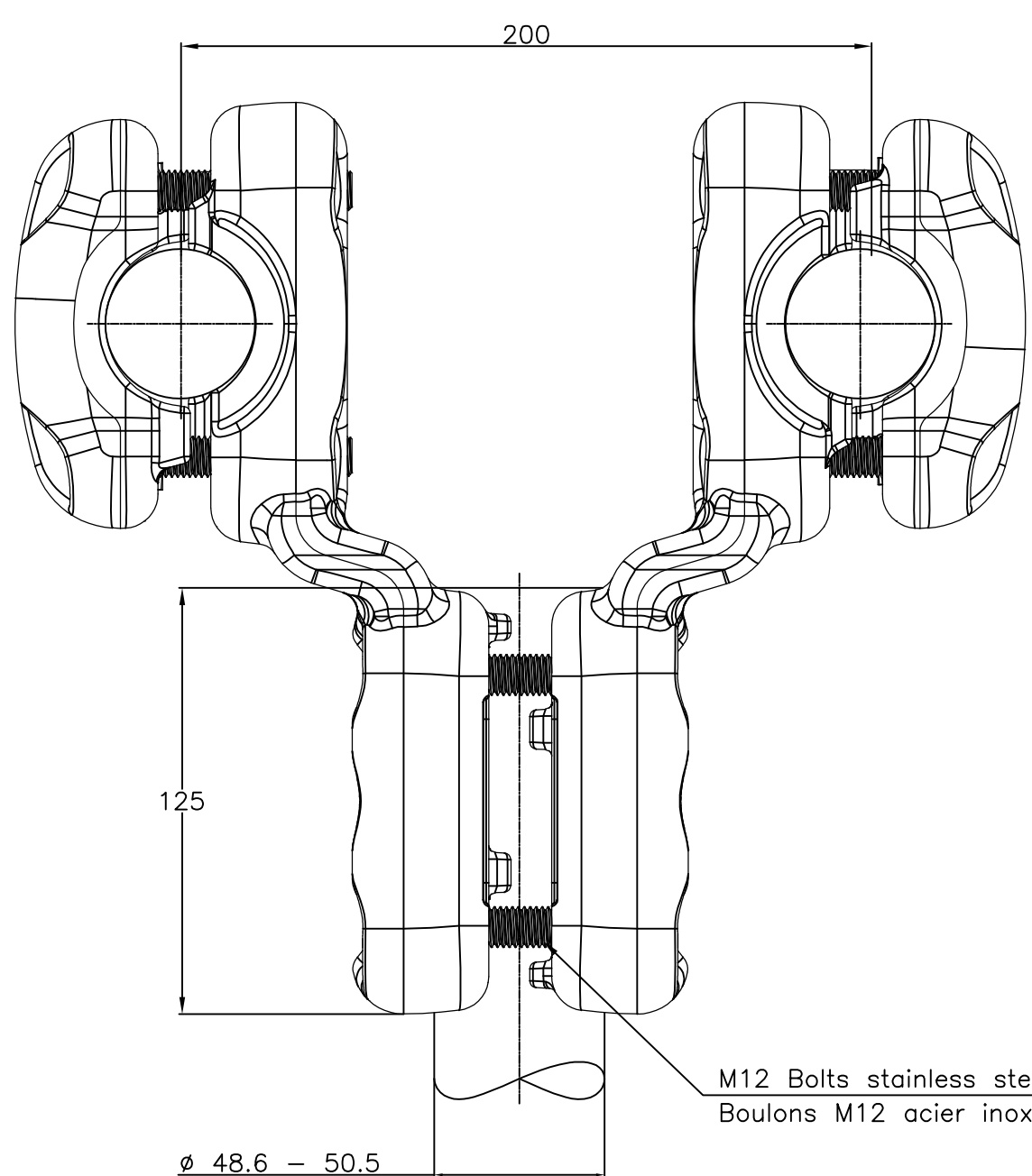
ALL RIGHTS RESERVED.

P	LTR	DESCRIPTION	DATE	DWN	APVD
	A	CREATION	17-Feb-17	TC	-

M12 stainless steel U-Bolts A4: 60Nm
 Etriers M12 acier inoxydable A4: 60Nm



No scale - sans echelle



M12 Bolts stainless steel A2: 60Nm
 Boulons M12 acier inoxydable A2: 60Nm

∅ 48.6 - 50.5

∅ 42.6 - 44.5

THIS DRAWING IS A CONTROLLED DOCUMENT.		DWN	17-FEB-17	STE TE Connectivity	
		CHK	-		
DIMENSIONS: mm	TOLERANCES UNLESS OTHERWISE SPECIFIED:	APVD	-	NAME	
		PRODUCT SPEC	-	Tee connector twin to single	
	0 PLC ± - 1 PLC ± - 2 PLC ± - 3 PLC ± - 4 PLC ± - ANGLES ± -	APPLICATION SPEC	108-69096-001	Connecteur en T faisceau double / simple	
			-	5 CT 82 F LR445 E200 L505	
MATERIAL	FINISH	APPROX.WEIGHT	7.1 kg	SIZE	A3
-	-	CUSTOMER DRAWING		CAGE CODE	00779
				DRAWING NO	C=2314352
				RESTRICTED TO	-
				SCALE	1/2
				SHEET	1 OF 1
				REV	A

ITEM:.....