

THIS DRAWING IS UNPUBLISHED.

RELEASED FOR PUBLICATION

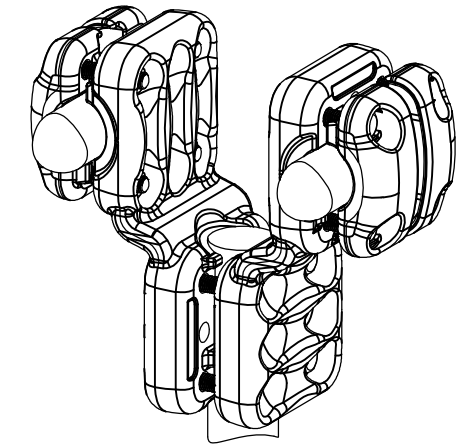
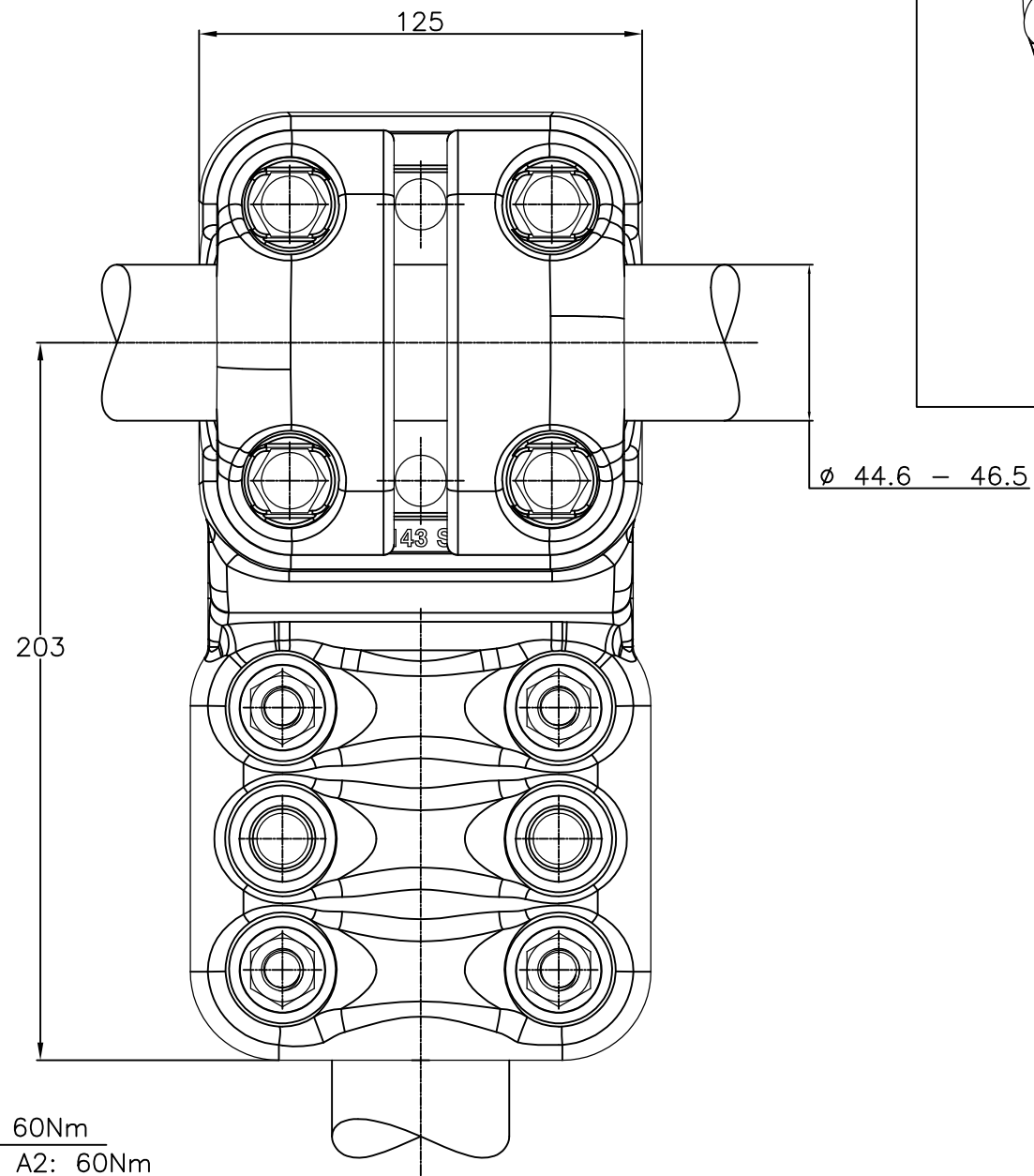
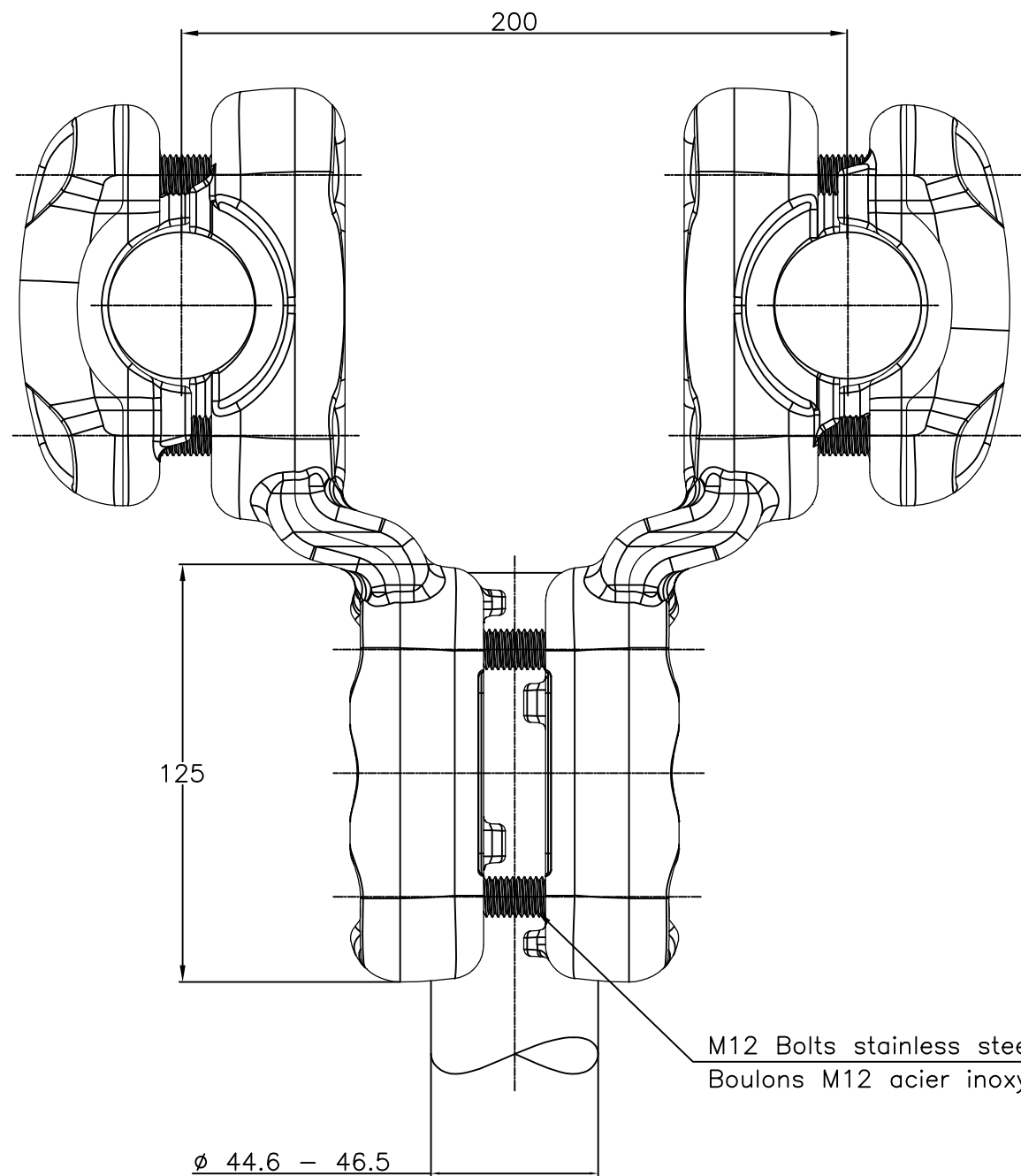
-. - .

REVISIONS

© COPYRIGHT - By -

ALL RIGHTS RESERVED.

P	LTR	DESCRIPTION	DATE	DWN	APVD
	A	CREATION	17-Feb-17	TC	-



No scale - sans echelle

ITEM:.....

THIS DRAWING IS A CONTROLLED DOCUMENT.

DWN CHARTON 17-FEB-17

CHK -

APVD -

PRODUCT SPEC

108-69096-001

APPLICATION SPEC

-

APPROX.WEIGHT 6.9 kg

CUSTOMER DRAWING



NAME Tee connector twin to single  
 Connecteur en T faisceau double / simple  
 5 CT 82 F L465 E200 L465

SIZE	CAGE CODE	DRAWING NO	RESTRICTED TO
A3	00779	C=2314351	-

DIMENSIONS:	TOLERANCES UNLESS OTHERWISE SPECIFIED:
mm	
	0 PLC ± -
	1 PLC ± -
	2 PLC ± -
	3 PLC ± -
	4 PLC ± -
	ANGLES ± -
MATERIAL	FINISH
-	-

SCALE	SHEET	REV
1/2	1 OF 1	A