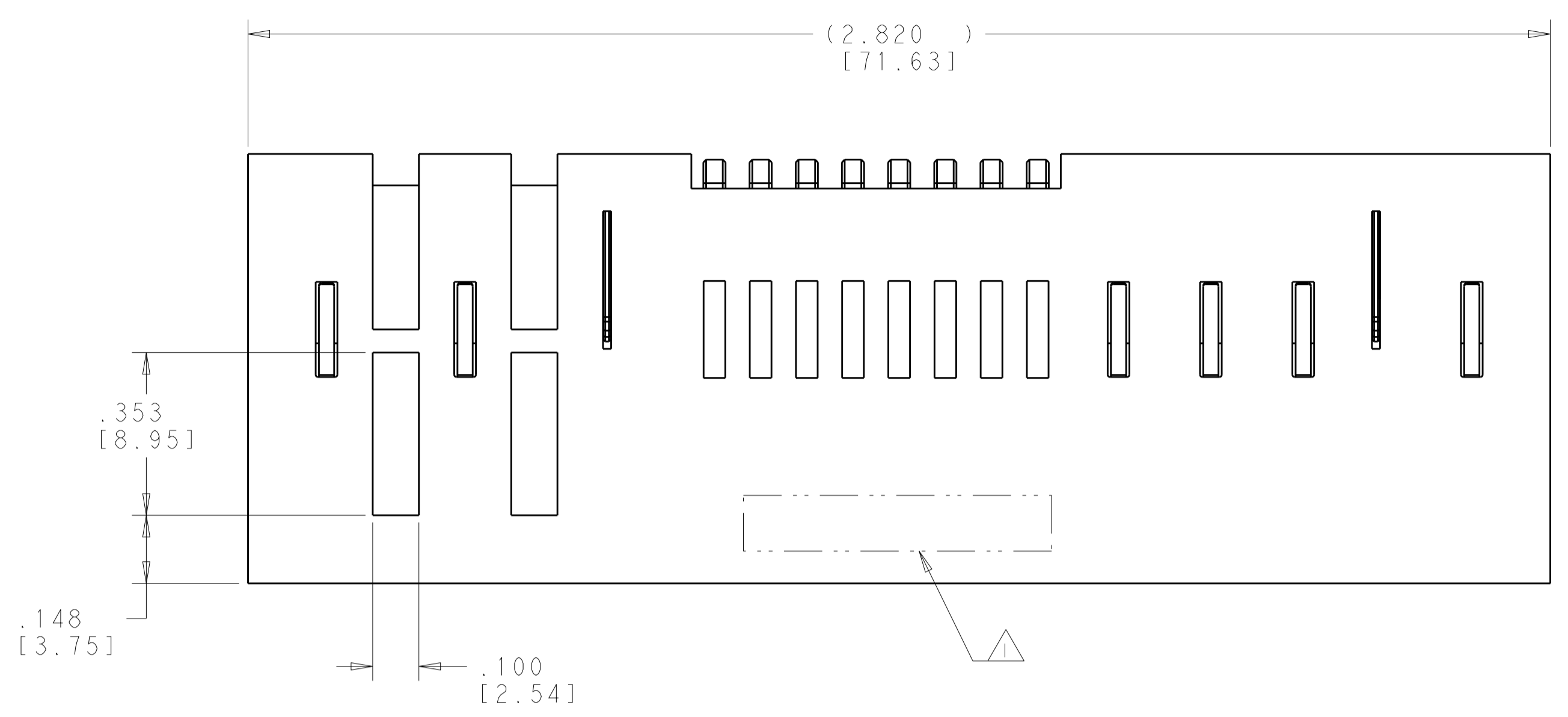
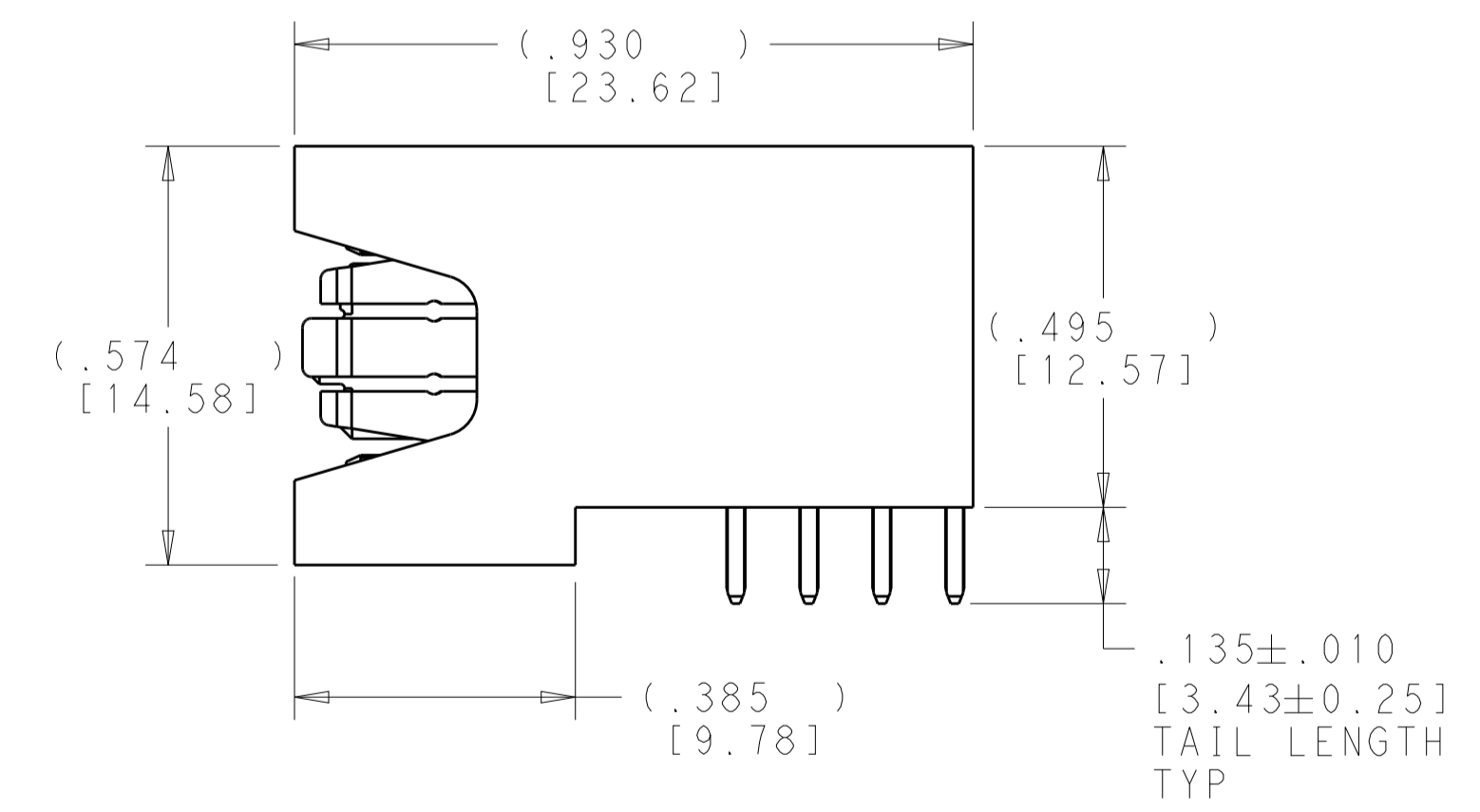
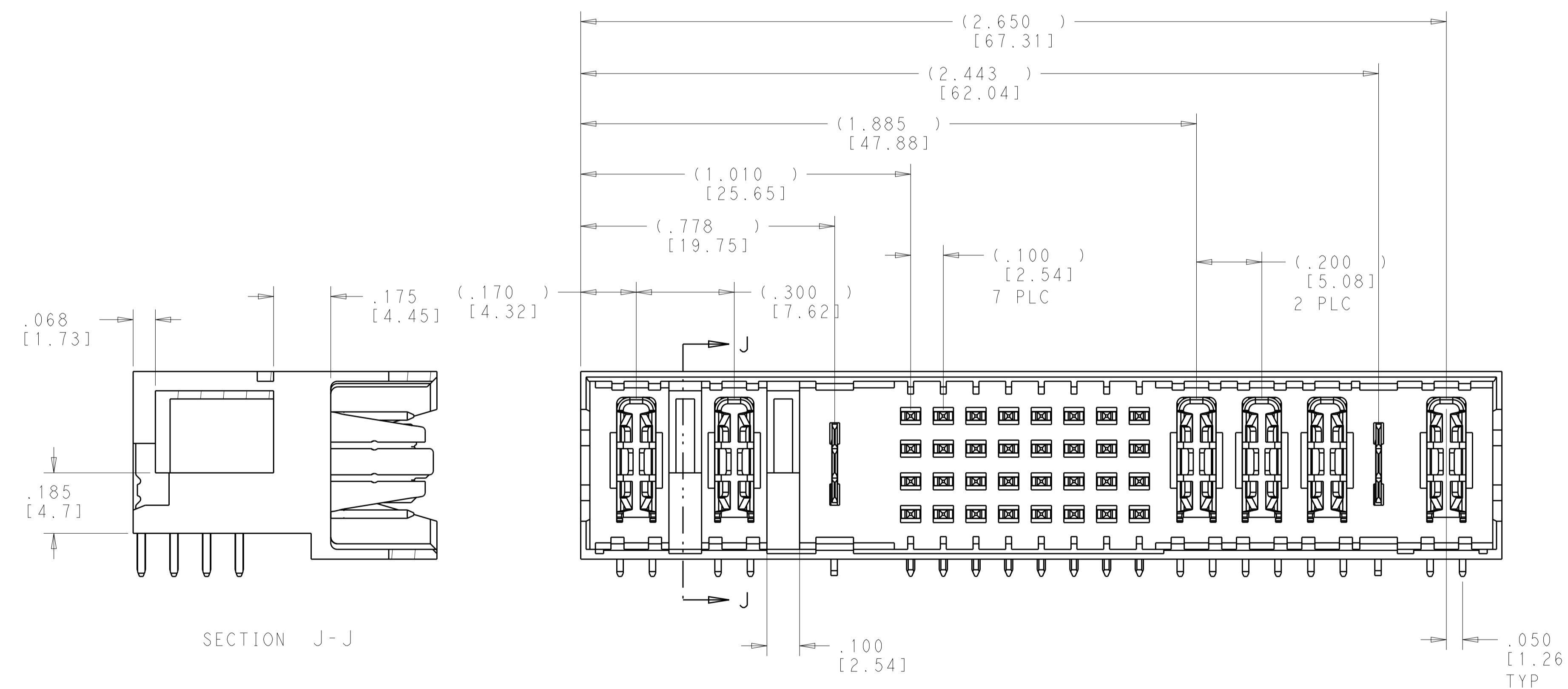


REVISIONS				
P.	LTN	DESCRIPTION	DATE	APVD
A		RELEASED PER ECO-20-010202	09JUL2020	DCB DH



- △ "TE", TE PART NUMBER, AND DATE CODE TO BE MARKED IN AREA SHOWN. PARTS UNDER 2.00 [50.8] LONG MAY BE MARKED ON BOTH SIDES.
- △ MATERIAL: HOUSING - GLASS FILLED HIGH TEMP THERMO PLASTIC, BLACK, UL94 V-0
 POWER CONTACT - HIGH CONDUCTIVITY COPPER ALLOY
 SIGNAL CONTACT - HIGH CONDUCTIVITY COPPER ALLOY
 LOW POWER CONTACT - HIGH CONDUCTIVITY COPPER ALLOY
- △ CONTACT PLATING: SIGNAL CONTACTS - .000050 [0.00127] MIN Ni UNDER ALL .000050 [0.00127] MIN Au ON CONTACT AREA .000005 [0.00013] MIN Au AT PCB INTERFACE
 POWER CONTACTS - .000050 [0.00127] MIN Ni UNDER ALL .000050 [0.00127] MIN Au ON CONTACT AREA .000005 [0.00013] MIN Au AT PCB INTERFACE
- △ CONNECTOR OUTLINE
- △ DATUM AND BASIC DIMENSIONS ESTABLISHED BY CUSTOMER.
- △ PCB - HOLE DIAMETERS ARE FINISHED HOLE SIZE.
- △ PCB - .0453±.0010 [1.151±0.025] DRILLED HOLES PLATED WITH .0003 [0.008] MIN Sn OVER .001-.003 [0.03-0.08] Cu PLATING TO ACHIEVE A .040±.003 [1.02±0.08] HOLE.
- △ SUGGESTED NON-PLATED CLEARANCE SLOTS FOR HIGH VOLTAGE APPLICATIONS. OPTIONAL HIGH VOLTAGE FIN COMPONENTS 2313445-1 SOLD SEPARATELY (2 PER CONNECTOR).
- △ THE SMALL PCB SLOT BETWEEN THE END POWER CONTACT AND THE GUIDE PIN HARDWARE HOLES IS OPTIONAL. THE SMALL SLOT CAN BE ADDED TO IMPROVE THE CREEPAGE DISTANCE BETWEEN THE GUIDE PIN AND THE POWER CONTACT.



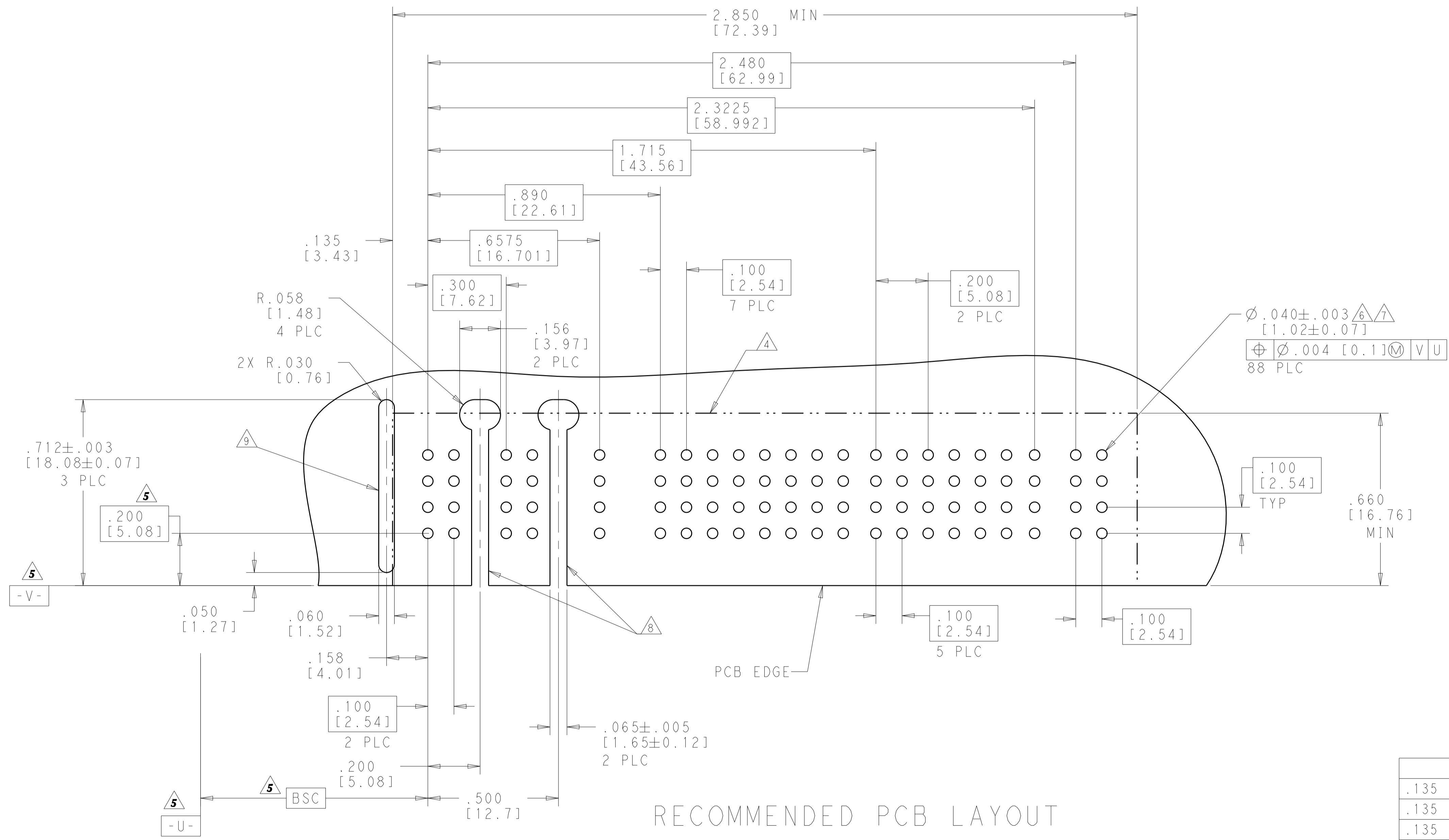
2ACP+1LP+32S+3HDP+1LP+1HDP	2313443-1
DESCRIPTION	PART NUMBER

THIS DRAWING IS A CONTROLLED DOCUMENT.		DWN	11JAN2019	TE Connectivity NAME MULTIBEAM 270V, RA ASSY VITA 62.2 3U PO, SOLDER
DIMENSIONS: INCHES [mm]		EL SIZE	11JAN2019	
TOLERANCES UNLESS OTHERWISE SPECIFIED:		CHK	C. GINGRICH	
0 PLC ±		APVD	11JAN2019	
1 PLC ±		PRODUCT SPEC	108-163032	RESTRICTED TO
2 PLC ±		APPLICATION SPEC	114-13251	A 100779 ©=2313443
3 PLC ±.005		SIZE	CAGE CODE DRAWING NO	SCALE 2:1 SHEET 1 OF 2 REV A
4 PLC ±.0020		WEIGHT		
ANGLES ±.2		CUSTOMER DRAWING		
FINISH				

REVISIONS				
P.	LTN	DESCRIPTION	DATE	APVD
-	-	SEE SHEET 1	-	-

PART NUMBER	ROWS	POWER			SIGNAL								POWER					
		P1	P2	LP1	1	2	3	4	5	6	7	8	P3	P4	P5	LP2	P6	
2313443-1	D				Z5	Z5	Z5	Z5	Z5	Z5	Z5	Z5						
	C				Y5	Y5	Y5	Y5	Y5	Y5	Y5	Y5						
	B	TT	TT	LT	R5	R5	R5	R5	R5	R5	R5	R5	TT	TT	TT	LT	TT	
	A				O5	O5	O5	O5	O5	O5	O5	O5						

2ACP+1LP+32S+3HDP+1LP+1HDP



RECOMMENDED PCB LAYOUT

DESCRIPTION	IDENTIFIER
HOLD DOWN	HD
.135 [3.43] SIGNAL SOLDER CON, ROW A,MLBF	O1
.135 [3.43] SIGNAL SOLDER CON, ROW A,STD	O5
.135 [3.43] SIGNAL SOLDER CON, ROW B,STD	R5
.135 [3.43] SIGNAL SOLDER CON, ROW C,STD	Y5
.135 [3.43] SIGNAL SOLDER CON, ROW D,STD	Z5
.135 [3.43] SOLDER LOWER POWER CON,STD	LT
.135 [3.43] SOLDER FIT POWER CON	TT

THIS DRAWING IS A CONTROLLED DOCUMENT.		DWN	11JAN2019	 TE Connectivity
DIMENSIONS: INCHES [mm]		CHK	11JAN2019	
TOLERANCES UNLESS OTHERWISE SPECIFIED:		APVD	11JAN2019	
0 PLC ± 1 PLC ± 2 PLC ± 3 PLC ±.005 4 PLC ±.002 ANGLES ±.2		PRODUCT SPEC 108-163032 APPLICATION SPEC 114-13251	NAME MULTIBEAM 270V, RA ASSY VITA 62.2 3U P0, SOLDER	
MATERIAL	FINISH	WEIGHT	SIZE	RESTRICTED TO
-	-	-	114-13251	-
CUSTOMER DRAWING		SCALE	1:1	SHEET 2 OF 2
		REV	A	