

THIS DRAWING IS UNPUBLISHED.

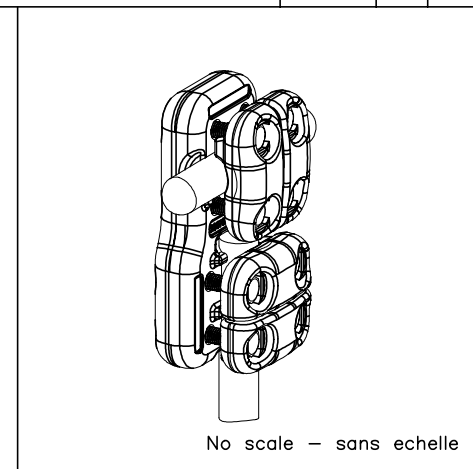
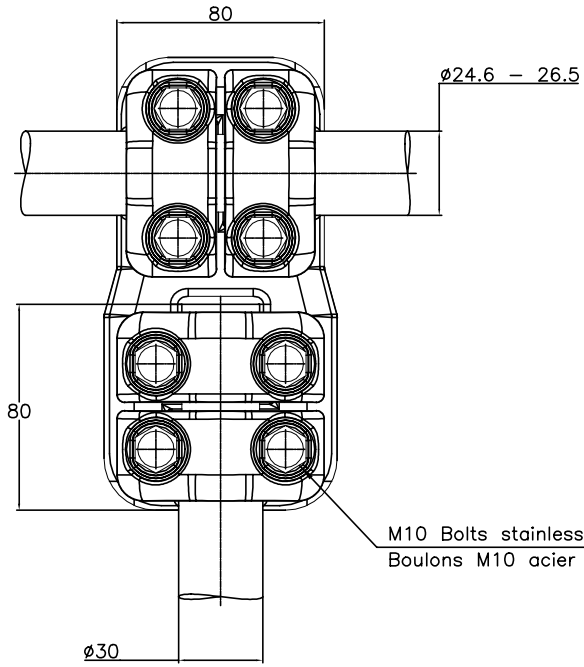
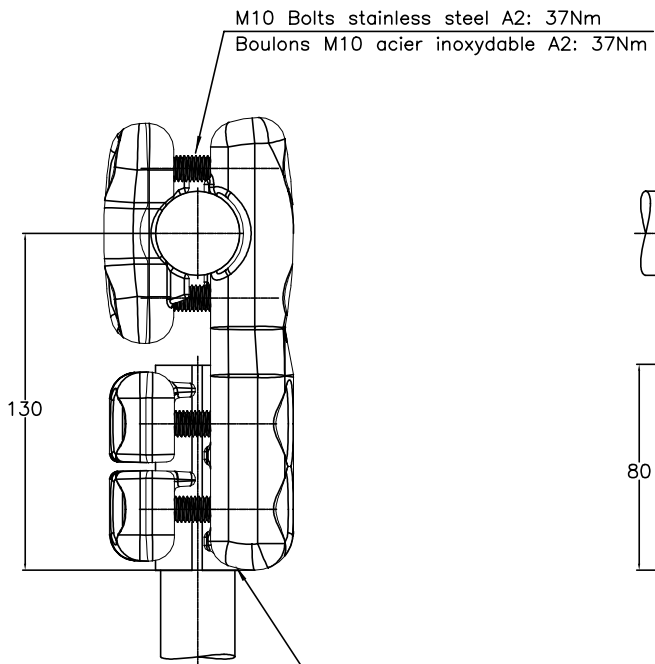
RELEASED FOR PUBLICATION

ALL RIGHTS RESERVED.

© COPYRIGHT - By -

REVISIONS

P	LTR	DESCRIPTION	DATE	DWN	APVD
A		CREATION	01JUL2021	SD	CG



Bimetallic sleeve Alu /Copper 32x30DIA
 Fourrure bi-métallique alu/Cuivre ø32x30

THIS DRAWING IS A CONTROLLED DOCUMENT.		DWN 01JUL2021 D SANGEETHA	TE TE Connectivity	
		CHK 01JUL2021 M PREVOT		
DIMENSIONS: mm	TOLERANCES UNLESS OTHERWISE SPECIFIED:	APVD 01JUL2021 C GLOMMEAU	NAME TEE CONNECTOR RACCORD EN TE	
	0 PLC ± - 1 PLC ± - 2 PLC ± - 3 PLC ± - 4 PLC ± - ANGLES ± -	PRODUCT SPEC 108-69096-001	5 CT 82 S265 SK305	
MATERIAL	FINISH	APPLICATION SPEC -	SIZE A300779	DRAWING NO C=2312837
-	-	APPROX.WEIGHT 1.6 kg	CAGE CODE	RESTRICTED TO -
CUSTOMER DRAWING			SCALE 2:5	SHEET 1 OF 1
			REV A	

ITEM:.....