

THIS DRAWING IS UNPUBLISHED.

RELEASED FOR PUBLICATION

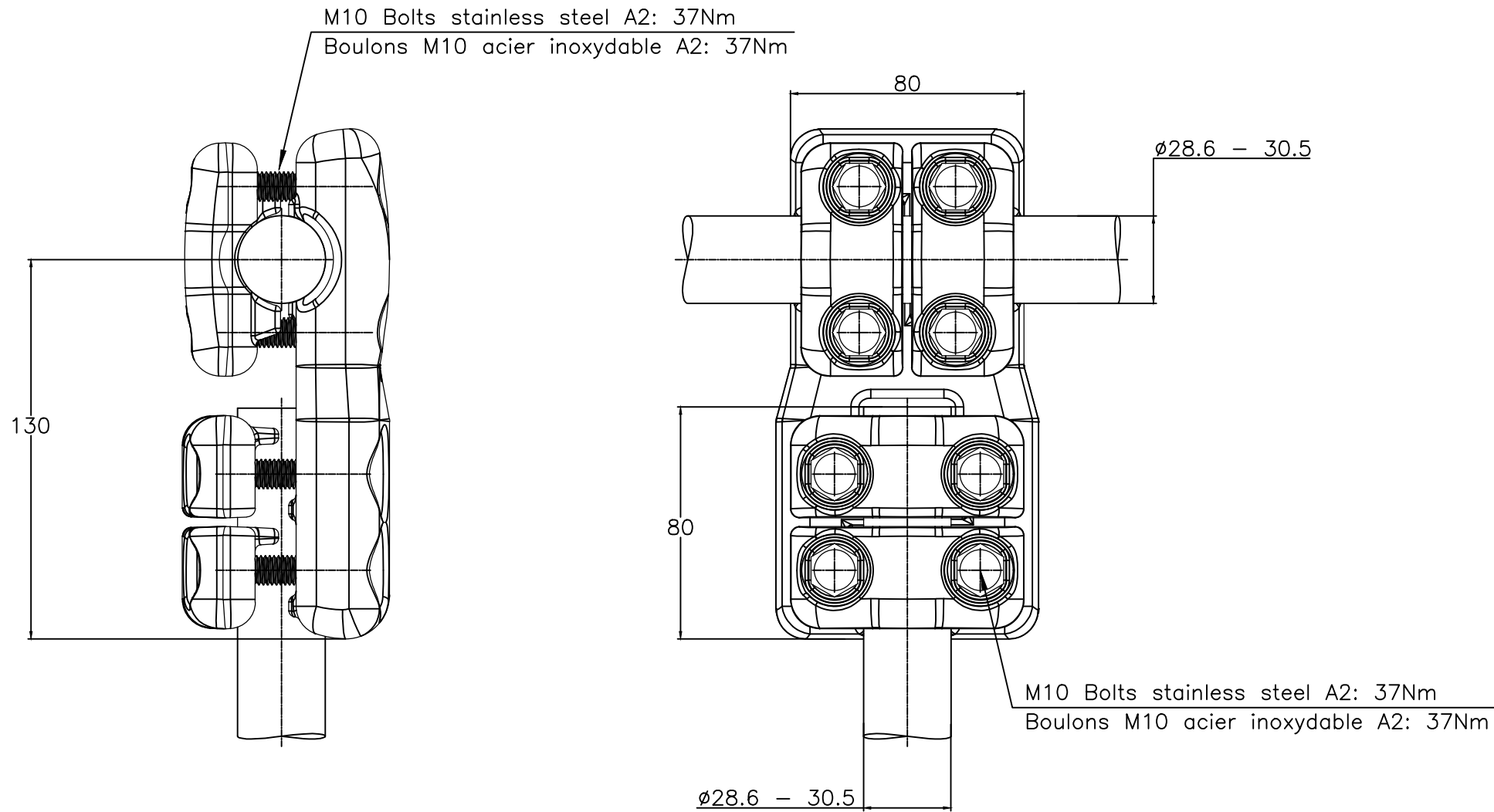
---

REVISIONS

ALL RIGHTS RESERVED.

© COPYRIGHT - By -

P	LTR	DESCRIPTION	DATE	DWN	APVD
	A	CREATION	29-Nov-16	GL	-



ITEM:.....

THIS DRAWING IS A CONTROLLED DOCUMENT.		DWN	29-Nov-16		<b>STE</b> TE Connectivity
		CHK	-		
		APVD	-		
		PRODUCT SPEC	-		
DIMENSIONS: mm		TOLERANCES UNLESS OTHERWISE SPECIFIED:		NAME	
		0 PLC ± -		5 CT 82 S305	
		1 PLC ± -			
		2 PLC ± -			
		3 PLC ± -			
		4 PLC ± -			
ANGLES ± -		APPLICATION SPEC		SIZE	
MATERIAL		FINISH		CAGE CODE	
-		-		DRAWING NO	
		APPROX.WEIGHT 1.54 kg		RESTRICTED TO	
		CUSTOMER DRAWING		-	
		SCALE 1:2		SHEET 1 OF 1	
		REV A		DRAWING NO	
		A3 00779		C=2312834	