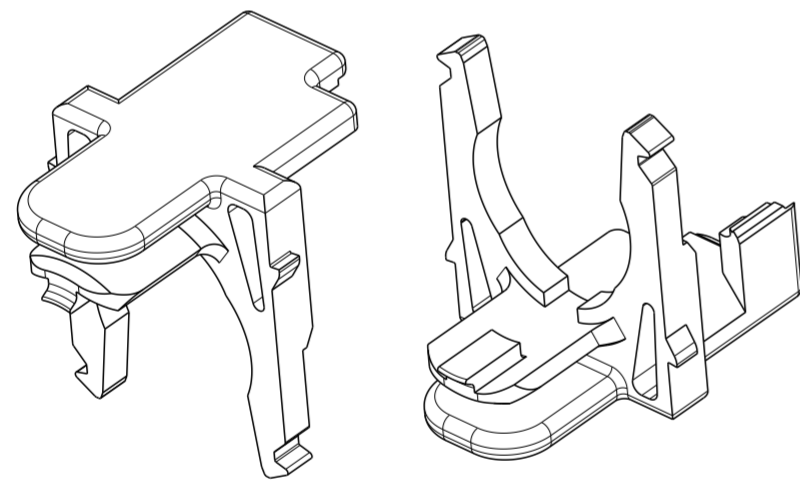
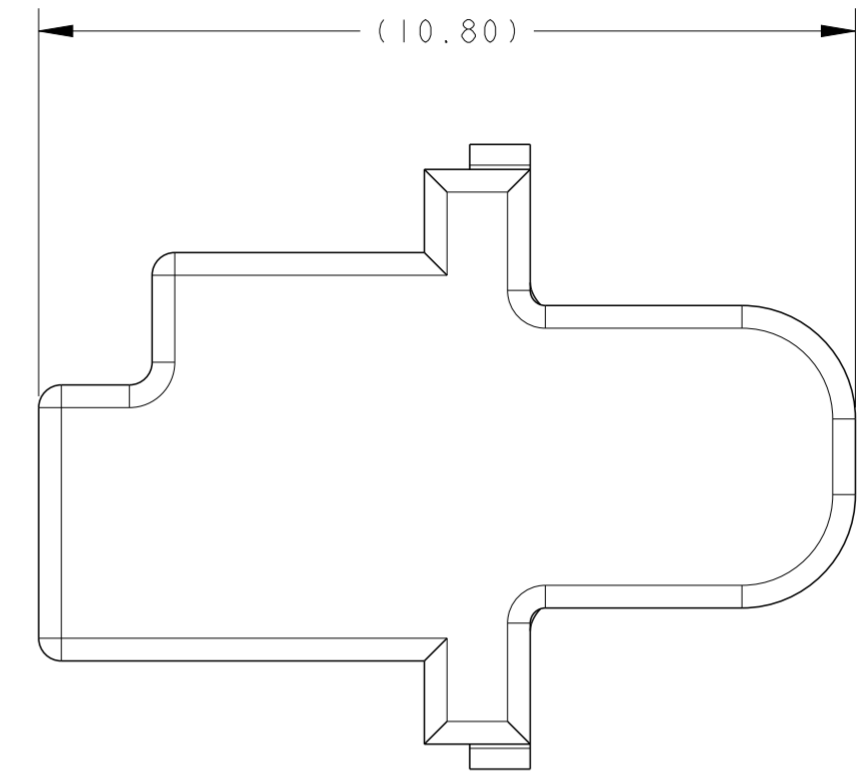
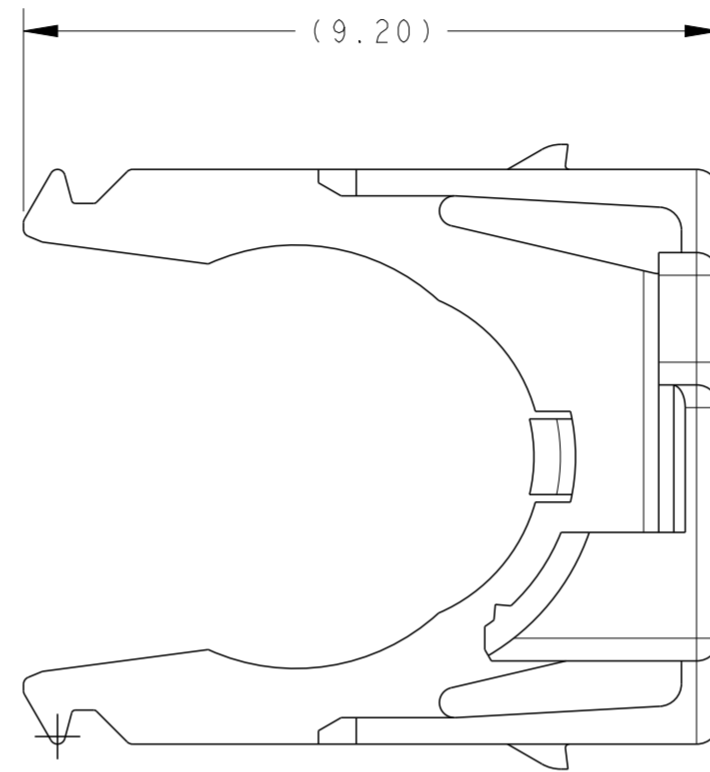
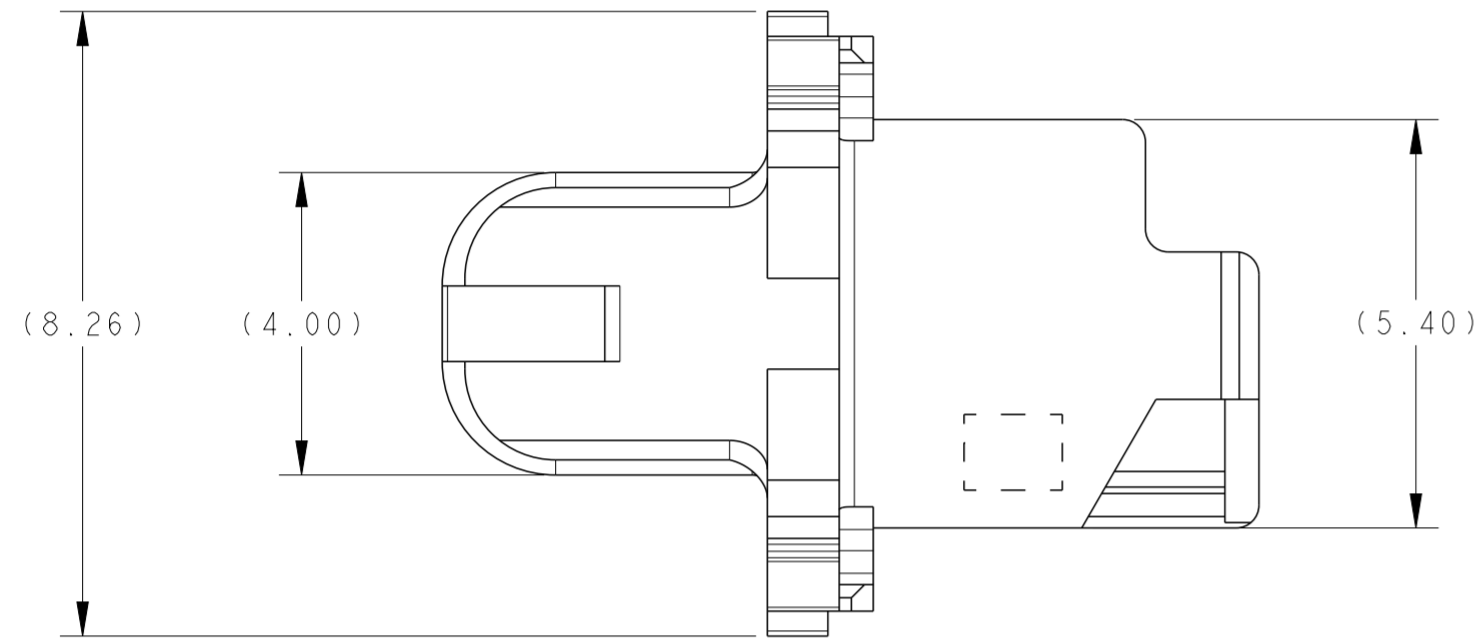
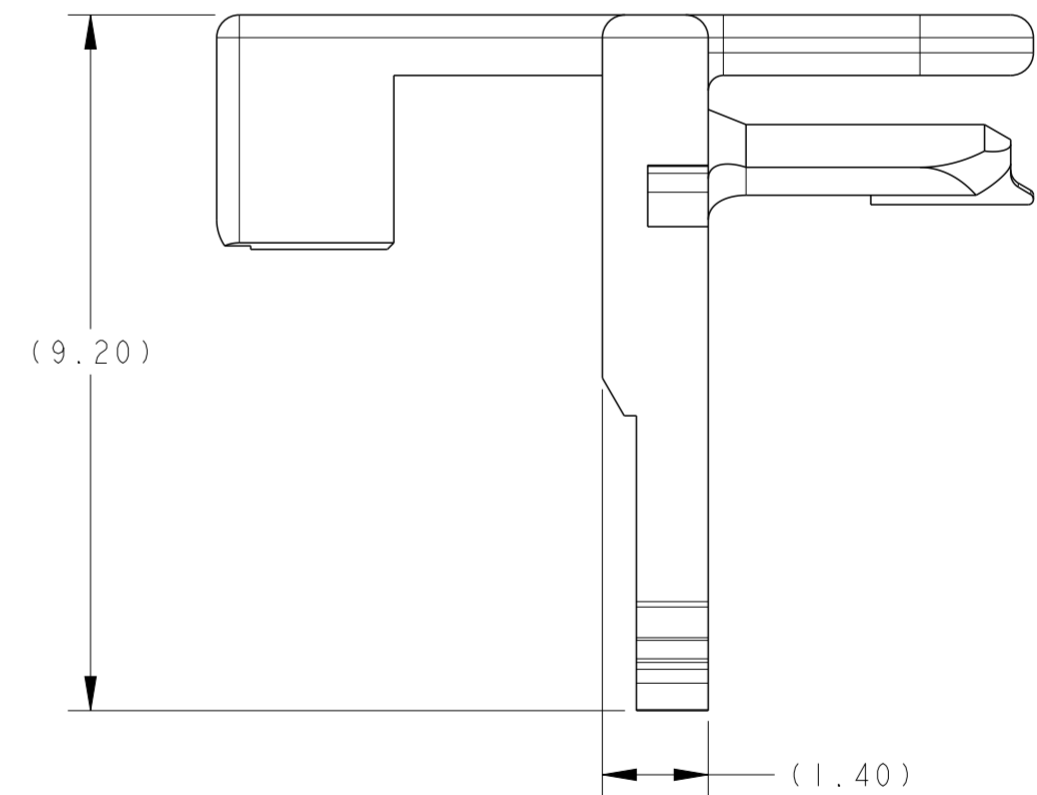


P	LTR	DESCRIPTION	DATE	DWN	APVD





ISOMETRIC VIEWS
SCALE 5:1



2312641-1

PART
NUMBER

1 MATERIAL: POLYESTER PBT, GLASS FILLED. COLOR: WATER BLUE.

THIS DRAWING IS A CONTROLLED DOCUMENT.		DWN J. A. BAKER 20 JUL 2017	 TE Connectivity	
DIMENSIONS: mm		CHK E. R. LOVE 20 JUL 2017		
TOLERANCES UNLESS OTHERWISE SPECIFIED:		APVD J. W. HALL 25 FEB 2020	NAME FEMALE SECONDARY LOCK, 1 WAY, AUTOMATED FAKRA	
0 PLC ± 1 PLC ± 2 PLC ± 3 PLC ± 4 PLC ± ANGLES ± FINISH -		PRODUCT SPEC 108-32137	RESTRICTED TO -	
MATERIAL		APPLICATION SPEC 114-32145	SIZE A2	CAGE CODE 00779
		WEIGHT 0.12g	DRAWING NO C-2312641	SCALE 10:1
		CUSTOMER DRAWING	SHEET 1	REV A