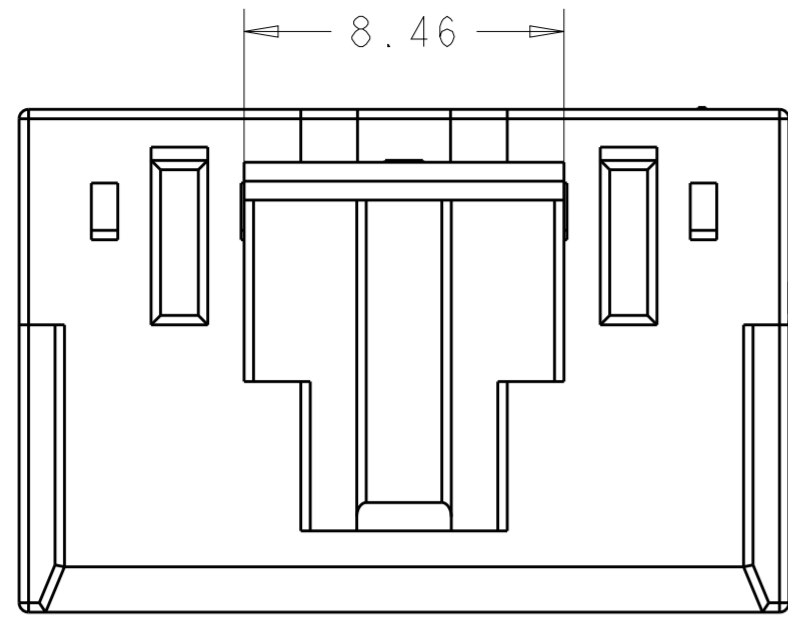
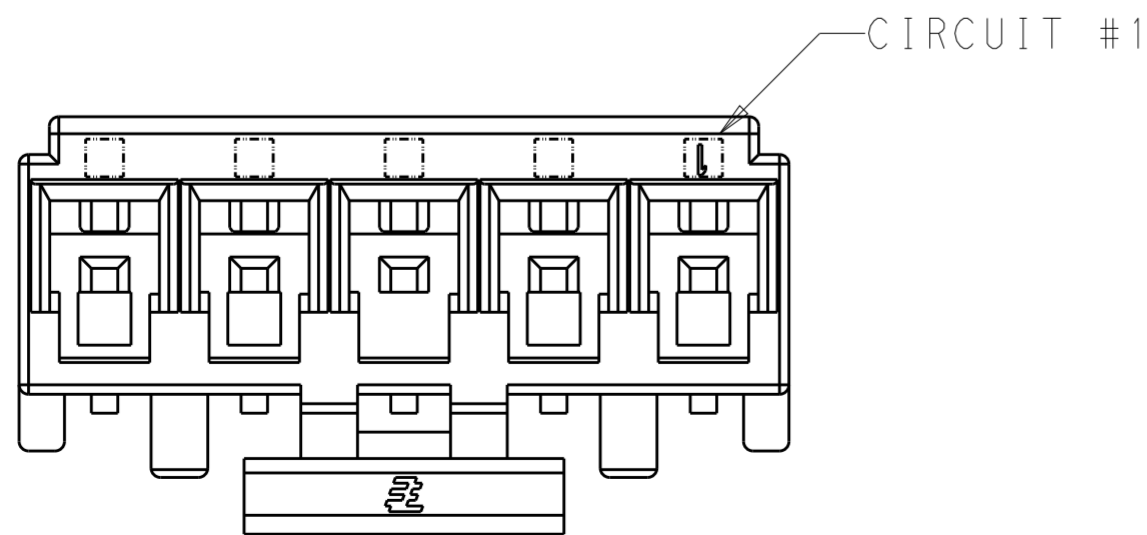
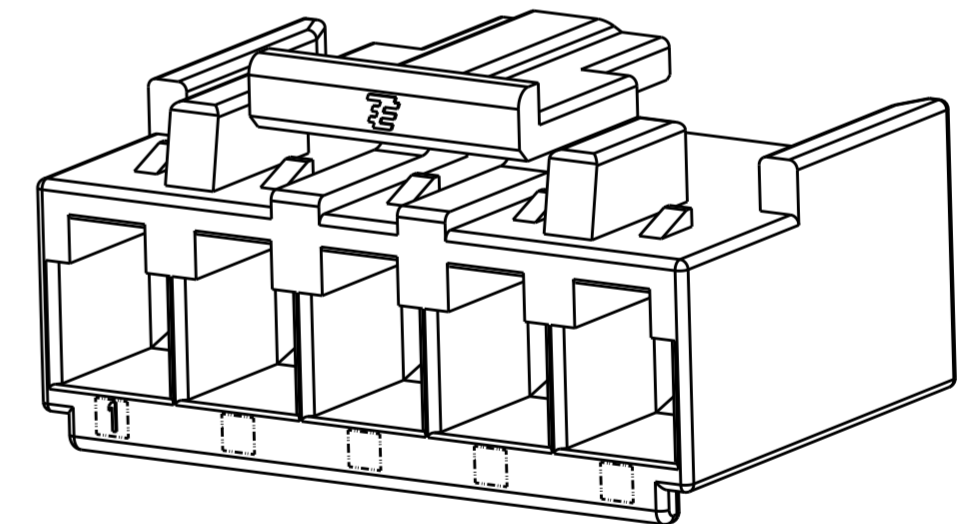
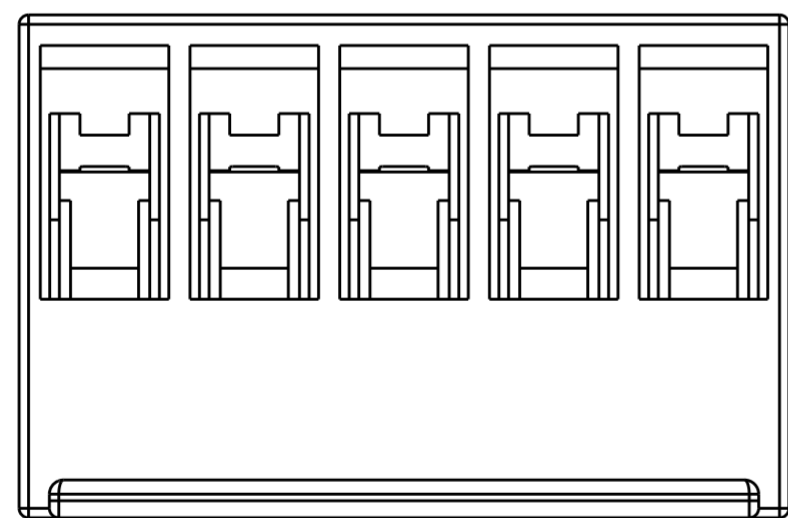
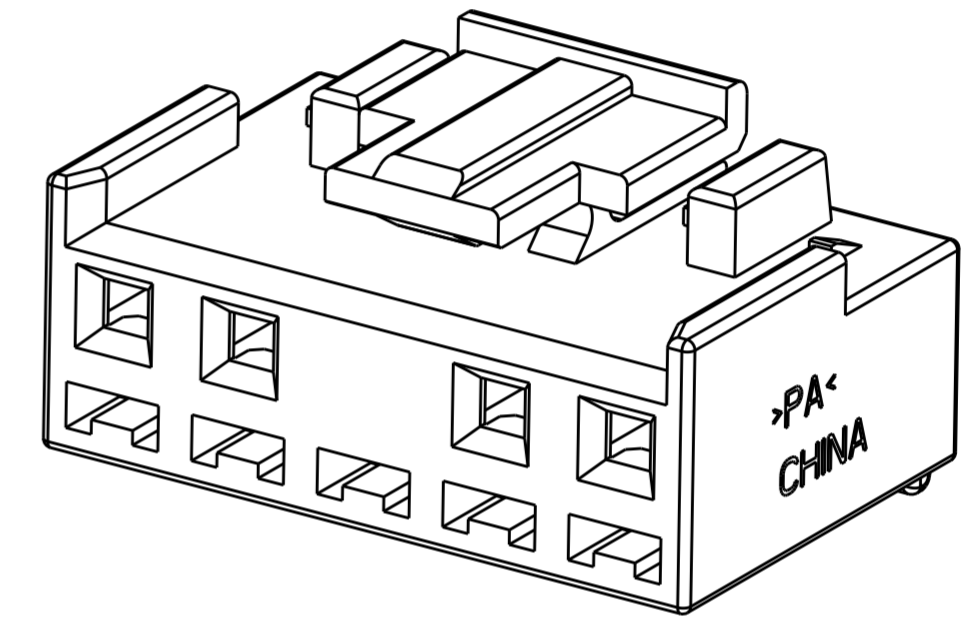
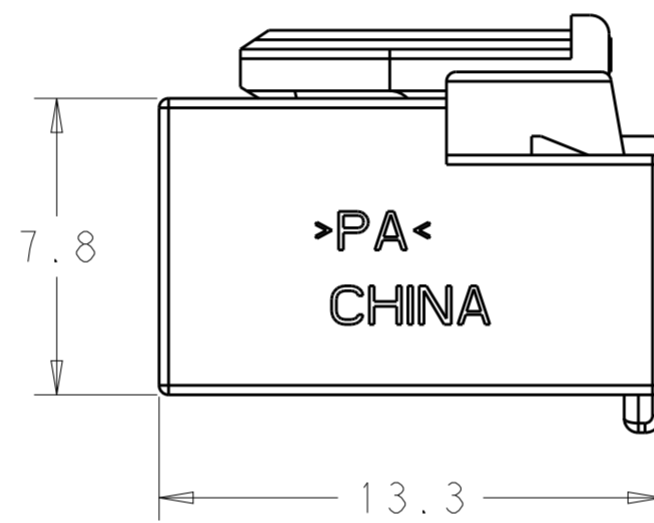
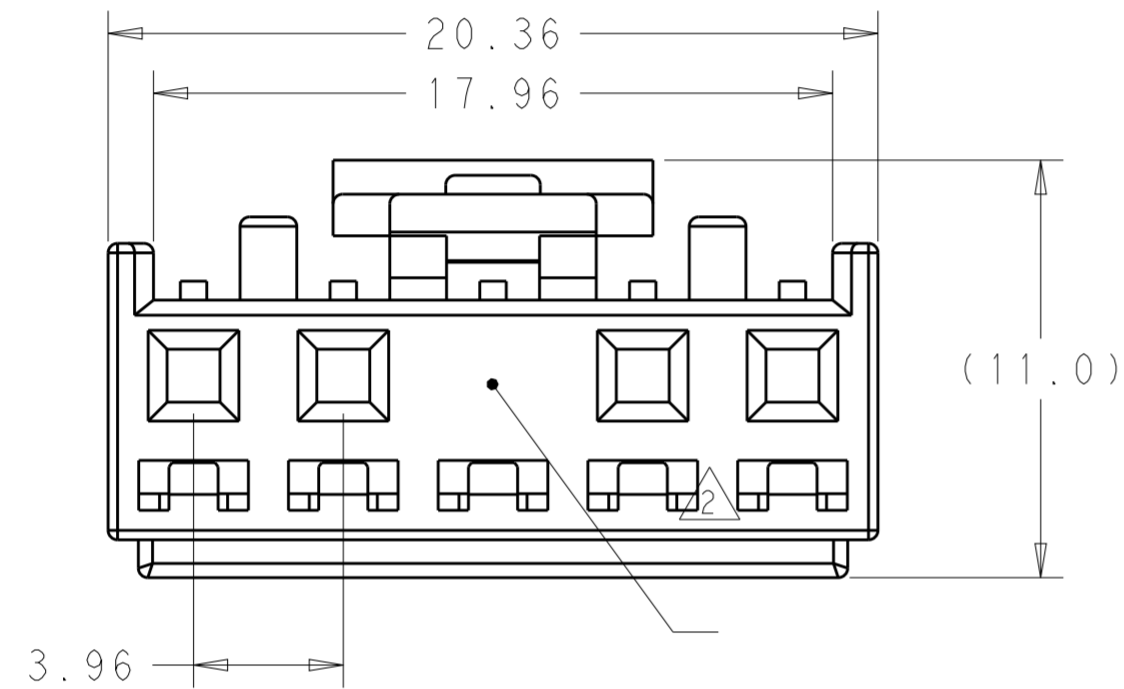


THIS DRAWING IS UNPUBLISHED. RELEASED FOR PUBLICATION  
 © COPYRIGHT - BY - ALL RIGHTS RESERVED.

| REVISIONS |     |                |           |         |
|-----------|-----|----------------|-----------|---------|
| P         | LTR | DESCRIPTION    | DATE      | APVD    |
| A         |     | FIRST RELEASED | 16 JUN 17 | O.C D.Z |



- 1 MATERIAL: NYLON, UL94 V0, COLOR: NATURAL;
- 2 BLOCK CAVITY #3;
- 3 PARTS MEETS IEC 60335-1 GWT (GLOW WIRE TEST) 750°C SPEC.



2312042-5  
PART NUMBER

|  |   |                            |  |                  |
|--|---|----------------------------|--|------------------|
| THIS DRAWING IS A CONTROLLED DOCUMENT. |   | DWN: OTIO CHEN 16 JUN 2017 | TE Connectivity  |                  |
| DIMENSIONS: mm                         |   | CHK: DANIEL 20 JUN 2017    |  |                  |
| TOLERANCES UNLESS OTHERWISE SPECIFIED: |   | APVD: DANIEL 20 JUN 2017   | NAME: PLUG HOUSING, ECONOMY POWER II, 3.96 CENTERLINE, 5POS., BLOCK CAVITY |                  |
| 0 PLC                                  | ± | PRODUCT SPEC               | SIZE: A2   | CAGE CODE: -     |
| 1 PLC                                  | ± | APPLICATION SPEC           | DRAWING NO: C-2312042  | RESTRICTED TO: - |
| 2 PLC                                  | ± | WEIGHT: -                  | SCALE: 5:1   | SHEET: 1 OF 1    |
| 3 PLC                                  | ± | CUSTOMER DRAWING           | REV: A   |                  |
| 4 PLC                                  | ± |                            |  |                  |
| ANGLES                                 | ± |                            |  |                  |
| FINISH                                 | - |                            |  |                  |