

THIS DRAWING IS UNPUBLISHED.

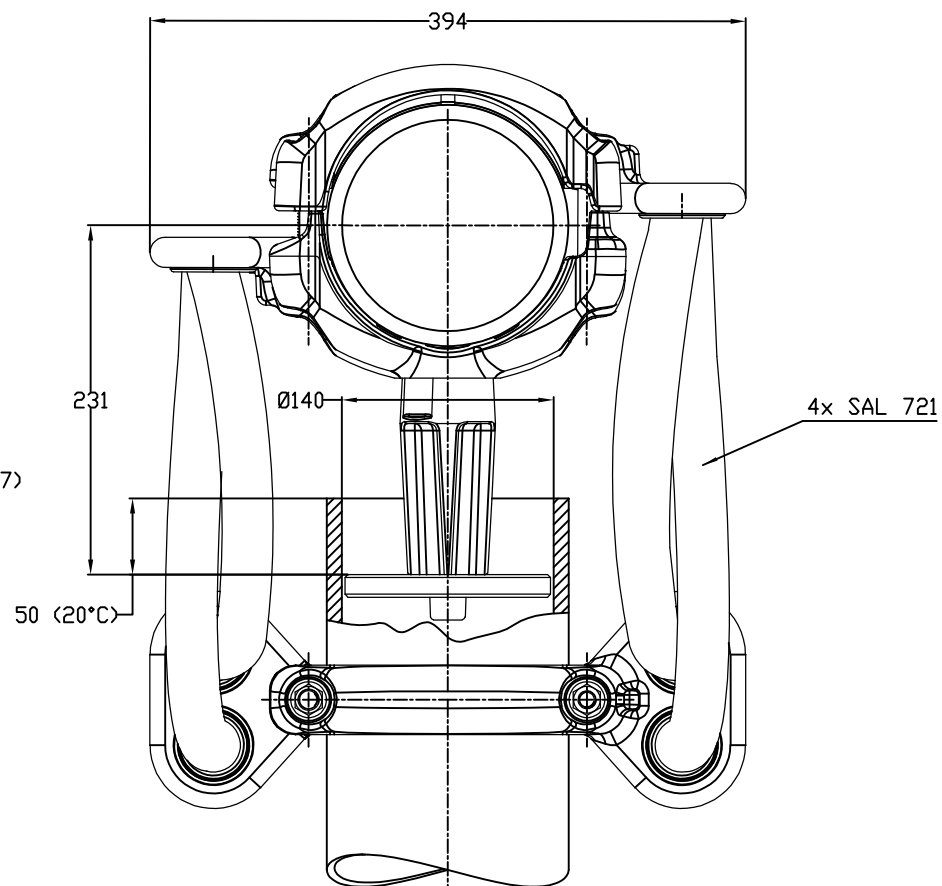
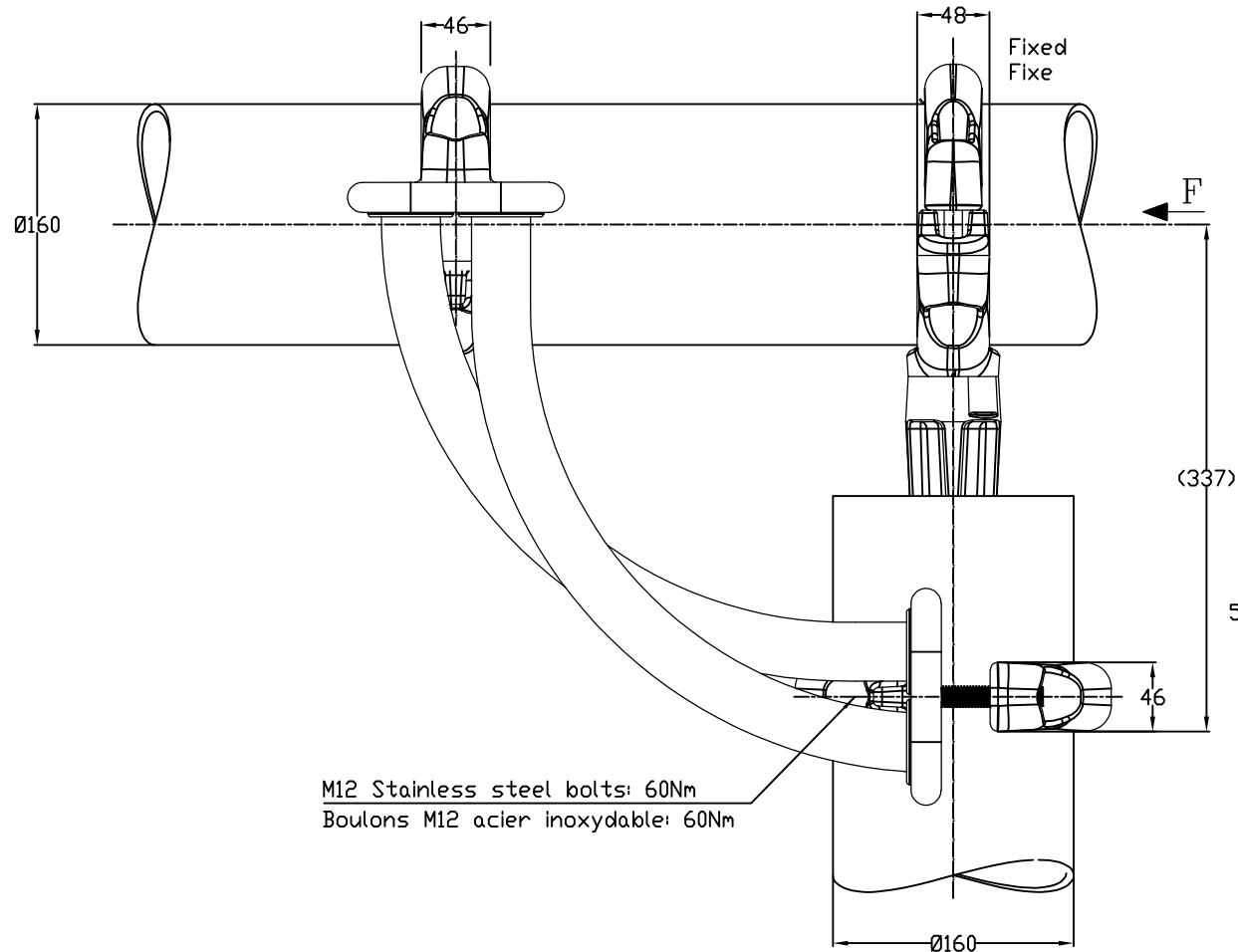
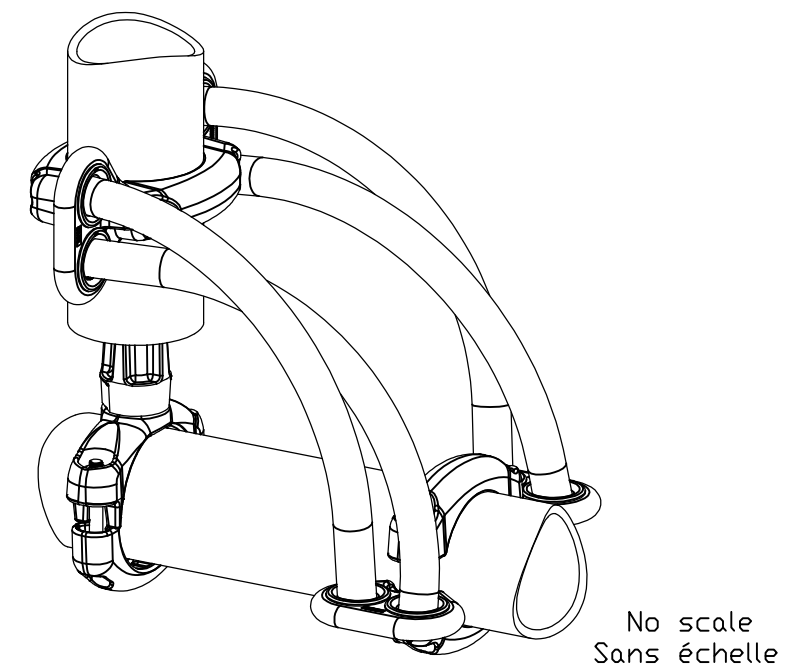
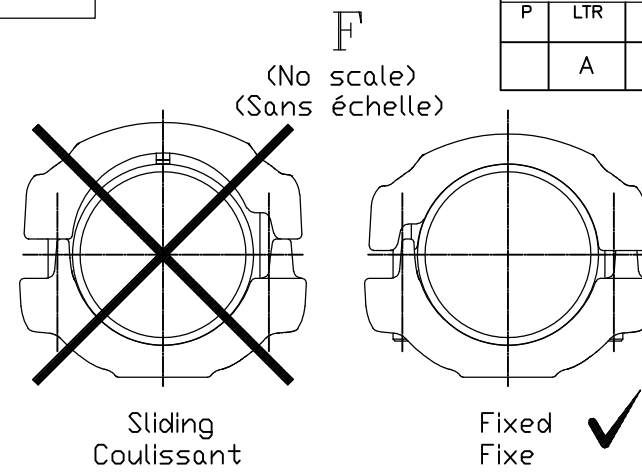
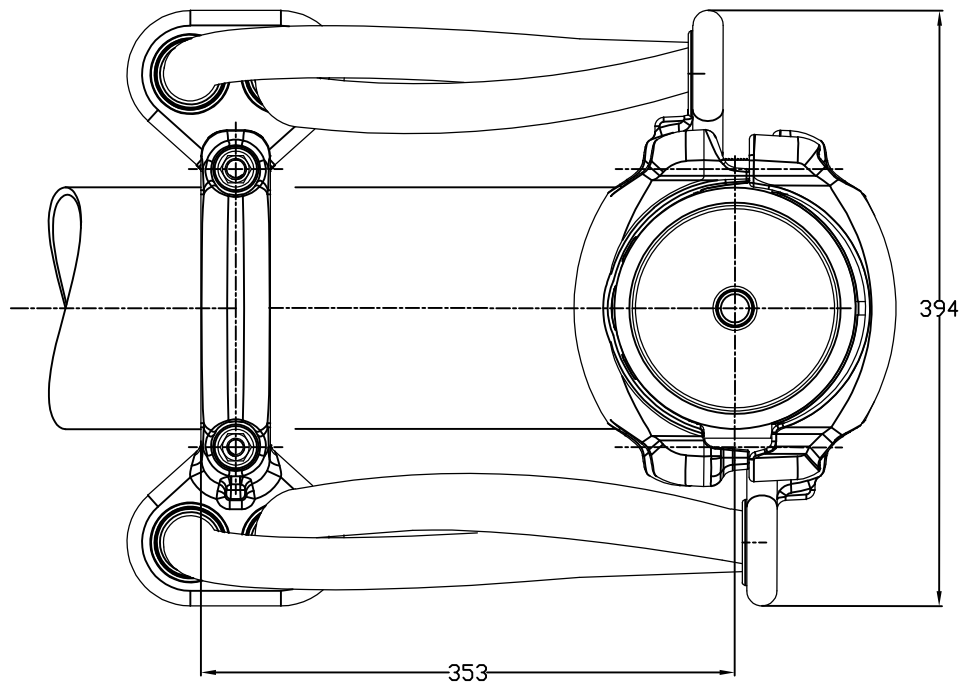
RELEASED FOR PUBLICATION

ALL RIGHTS RESERVED.

© COPYRIGHT - By -

REVISIONS

P	LTR	DESCRIPTION	DATE	DWN	APVD
A	CREATION		26-Oct-16	JPM	-



M12 Stainless steel bolts: 60Nm
Boulons M12 acier inoxydable: 60Nm

THIS DRAWING IS A CONTROLLED DOCUMENT.

DWN MOYEUX 26-Oct-16

CHK -

APVD -

PRODUCT SPEC

108-69090-001

APPLICATION SPEC

WEIGHT 13 kg

CUSTOMER DRAWING



NAME EXPANSION TEE CONNECTOR FOR TUBE
RACCORD EN TE A DILATATION POUR TUBE

5 TDL 82 T160 T140/160 47

SIZE CAGE CODE DRAWING NO RESTRICTED TO

A3 00779 C=2311095 -

SCALE 1:5 SHEET 1 OF 1 REV A

DIMENSIONS:	TOLERANCES UNLESS OTHERWISE SPECIFIED:
mm	
	0 PLC ± -
	1 PLC ± -
	2 PLC ± -
	3 PLC ± -
	4 PLC ± -
	ANGLES ± -
	FINISH -

ITEM:.....