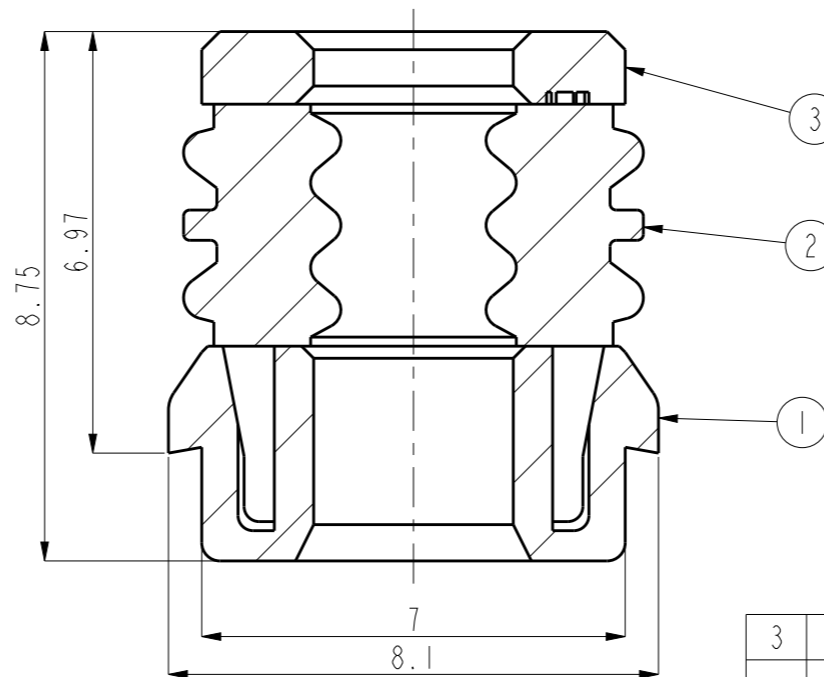
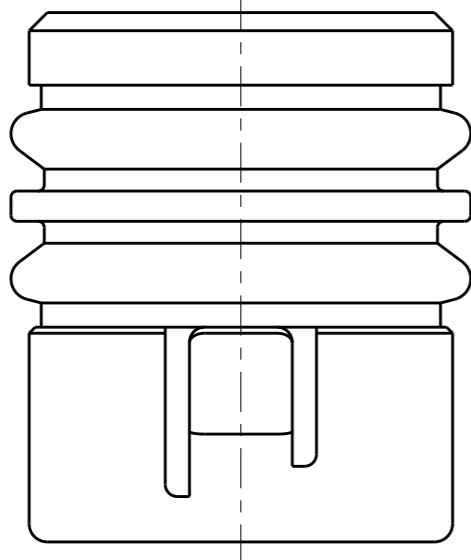
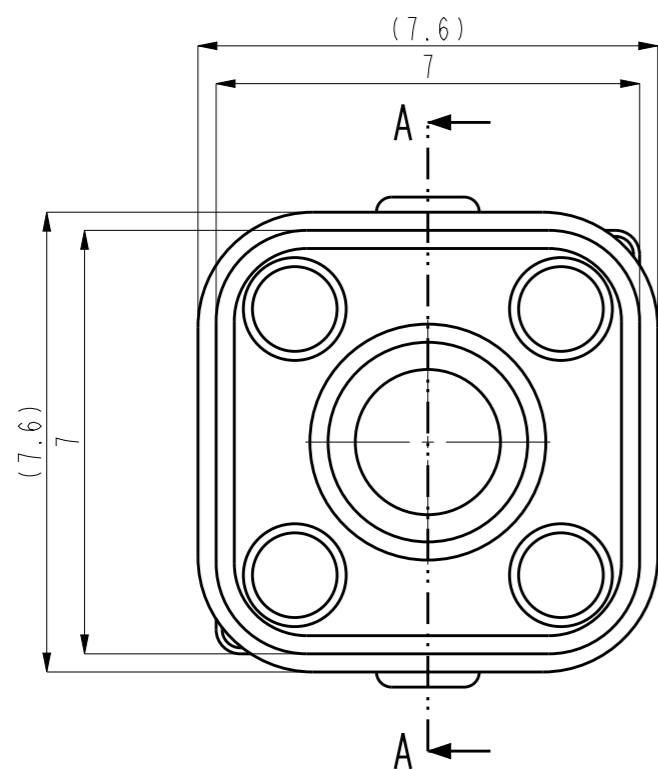


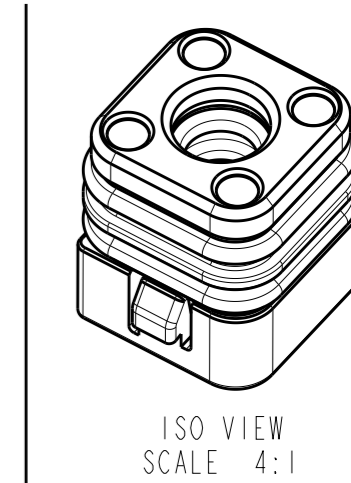
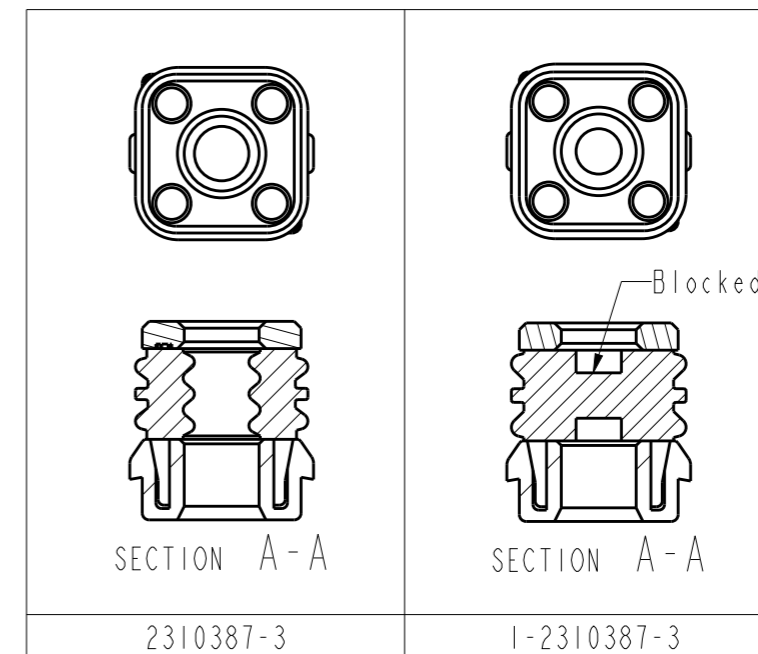
THIS DRAWING IS UNPUBLISHED. RELEASED FOR PUBLICATION 20  
© COPYRIGHT 20 BY - ALL RIGHTS RESERVED.

REVISIONS

P	LTR	DESCRIPTION	DATE	DWN	APVD
	A	RELEASED	17, JAN '18	SM	GC



SECTION A-A



NOTE

- 1. GENERAL TOLERANCE :  $\pm 0.3, \pm 3.0^\circ$
- 2. APPLICABLE CAP ASS'Y P/N : 2308234
- 3. APPLICABLE PLUG ASS'Y P/N : 2308253
- 4. APPLICABLE COAXIAL CABLE : 1.5DS-CV, 1.5D-EXHV-AS

NO	FINISH/COLOR	MATERIAL	DESCRIPTION	Q'TY	ASS'Y P/N	DESCRIPTION
3	GRAY	PA66-GF30	SUB HSG	1	2310387-3	WIRE SEAL ASS'Y
2	ORANGE	SILICON	WIRE SEAL	1	1-2310387-3	WIRE SEAL BLOCK ASS'Y
	YELLOW			1		
1	GRAY	PA66-GF30	MAIN HSG	1		

THIS DRAWING IS A CONTROLLED DOCUMENT.

DIMS: mm		TOLERANCES UNLESS OTHERWISE SPECIFIED:	
		0 PLC	$\pm$
		1 PLC	$\pm 0.1$
		2 PLC	$\pm 0.01$
		3 PLC	$\pm 0.001$
		4 PLC	$\pm 0.0001$
		ANGLES	$\pm$
MATERIAL	-	FINISH	-

DWN SM RYU	TE Connectivity		
CHK GC KWON			
APVD GC KWON	NAME		
PRODUCT SPEC	RF STRIPLINE WIRE SEAL ASS'Y		
APPLICATION SPEC	SIZE	CAGE CODE	DRAWING NO
WEIGHT	A3	00779	C-2310387
CUSTOMER DRAWING	SCALE	SHEET	OF
	8:1	1	1
		REV	A

ASS'Y P/N	DESCRIPTION
2310387-3	WIRE SEAL ASS'Y
1-2310387-3	WIRE SEAL BLOCK ASS'Y