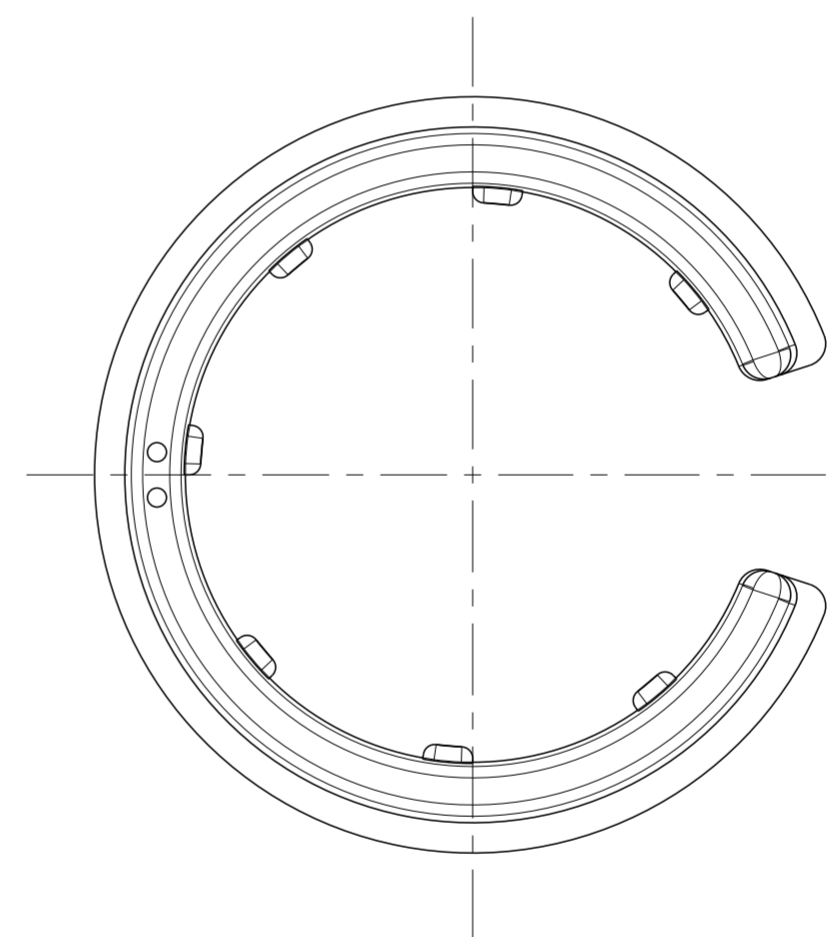
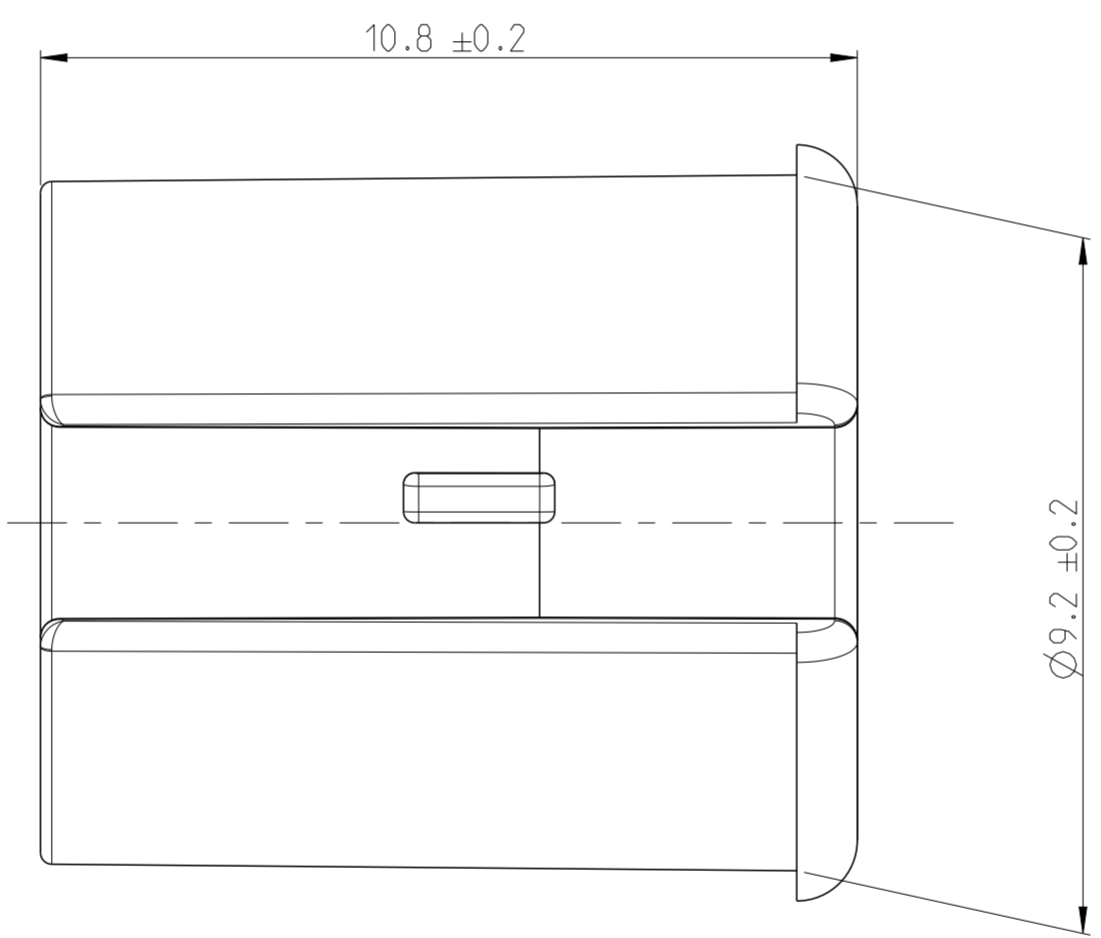
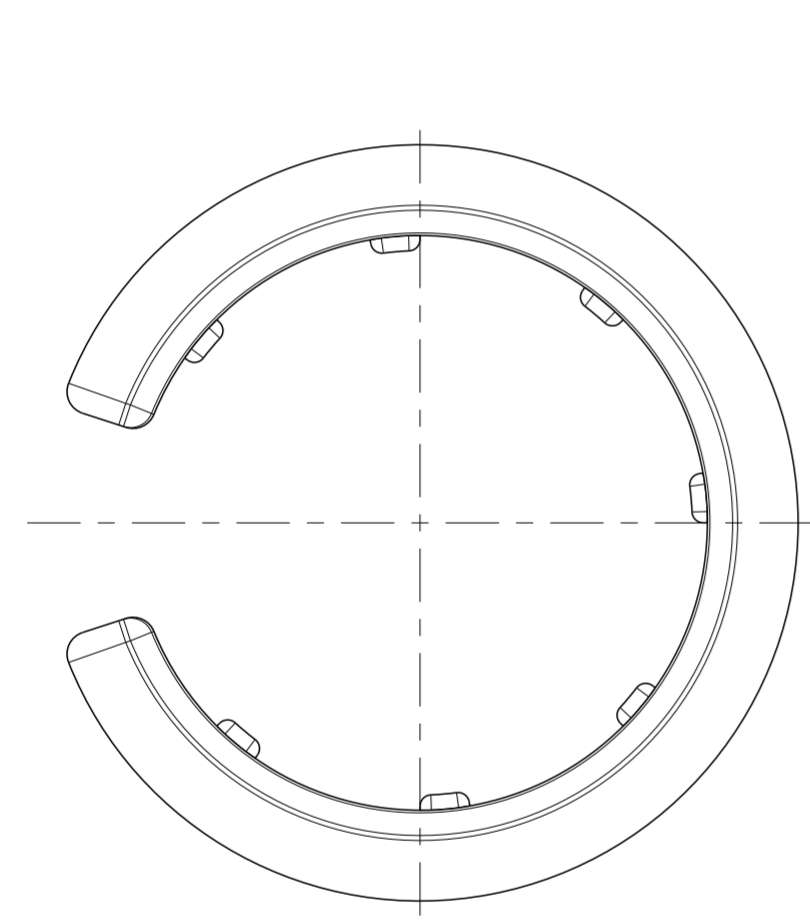
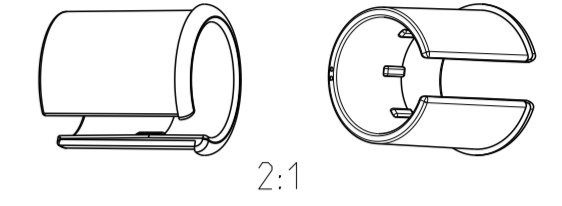


REVISIONS					
P	LTR	DESCRIPTION	DATE	DWN	APVD
	A	NEW DRAWING	12 JUN 2019	GP	HR



NOTES

- 1 PACKING: BULK MATERIAL PACKED IN PE-BAG IN BOX

0-2310223-1	A	FERRULE SLEEVE
TE PART NO	REV	DESCRIPTION

THIS DRAWING IS A CONTROLLED DOCUMENT.		DWN G. PUCKEL 12 JUN 2019	STE TE Connectivity	
		CHK H. RIPPER 13 JUN 2019		
		APVD Z. STJEPANOVIC 13 JUN 2019	NAME FERRULE SLEEVE PLUG, PCON12, 2P	
DIMENSIONS: mm		PRODUCT SPEC 108-94749	RESTRICTED TO	
TOLERANCES UNLESS OTHERWISE SPECIFIED:		APPLICATION SPEC 114-94518	SIZE A2	CAGE CODE 00779
0 PLC ±		WEIGHT -	DRAWING NO C-2310223	SCALE 10:1
1 PLC ±		CUSTOMER DRAWING	SHEET 1 OF 1	REV A
2 PLC ±				
3 PLC ±				
4 PLC ±				
ANGLES ±				
FINISH -				
MATERIAL PA66 / NATURAL TEC-100-1634				