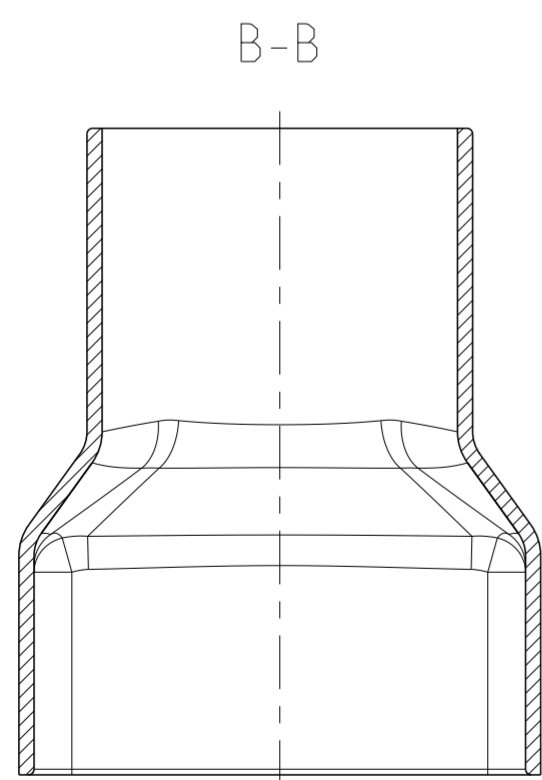
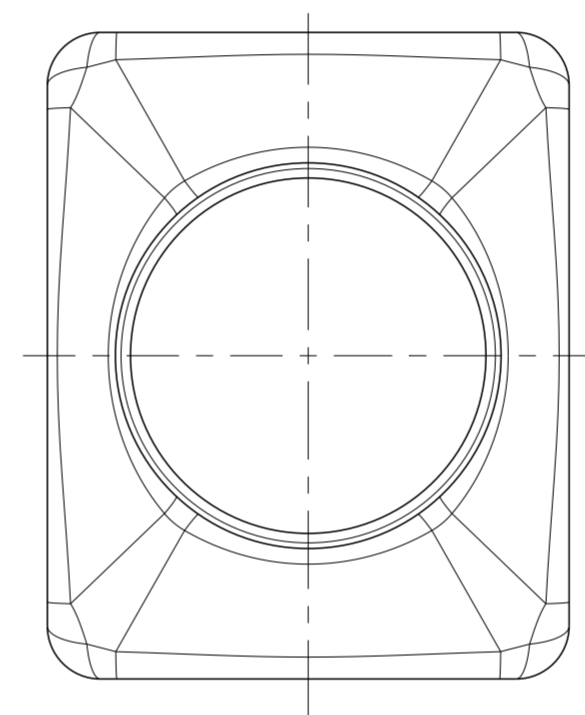
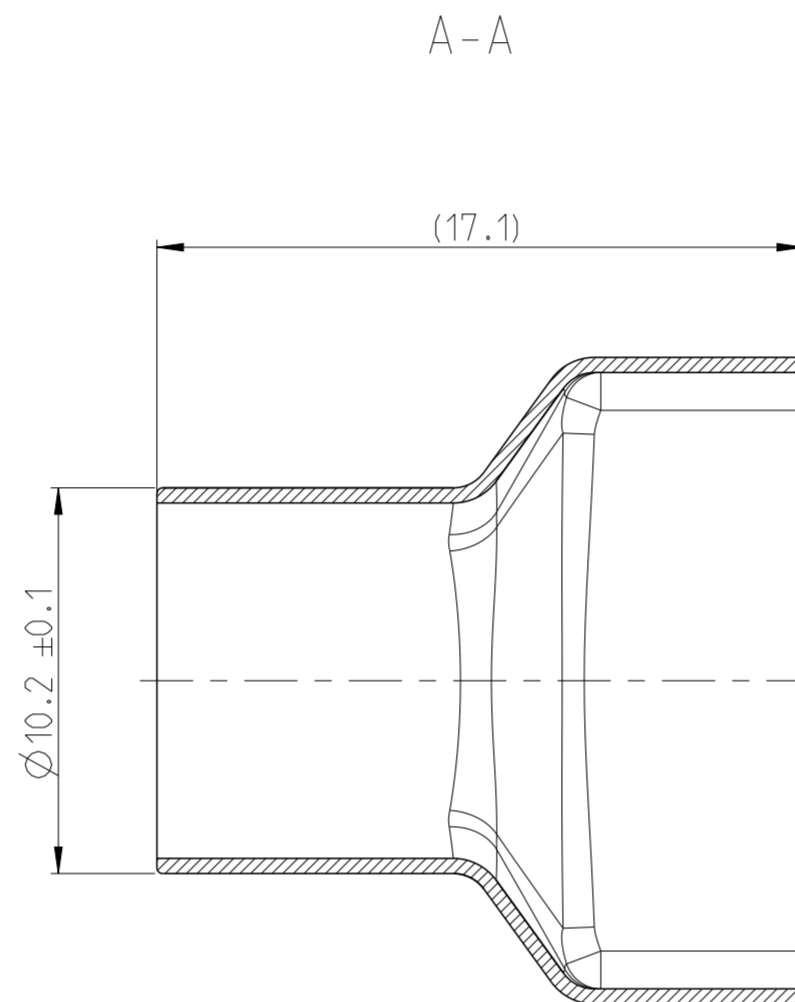
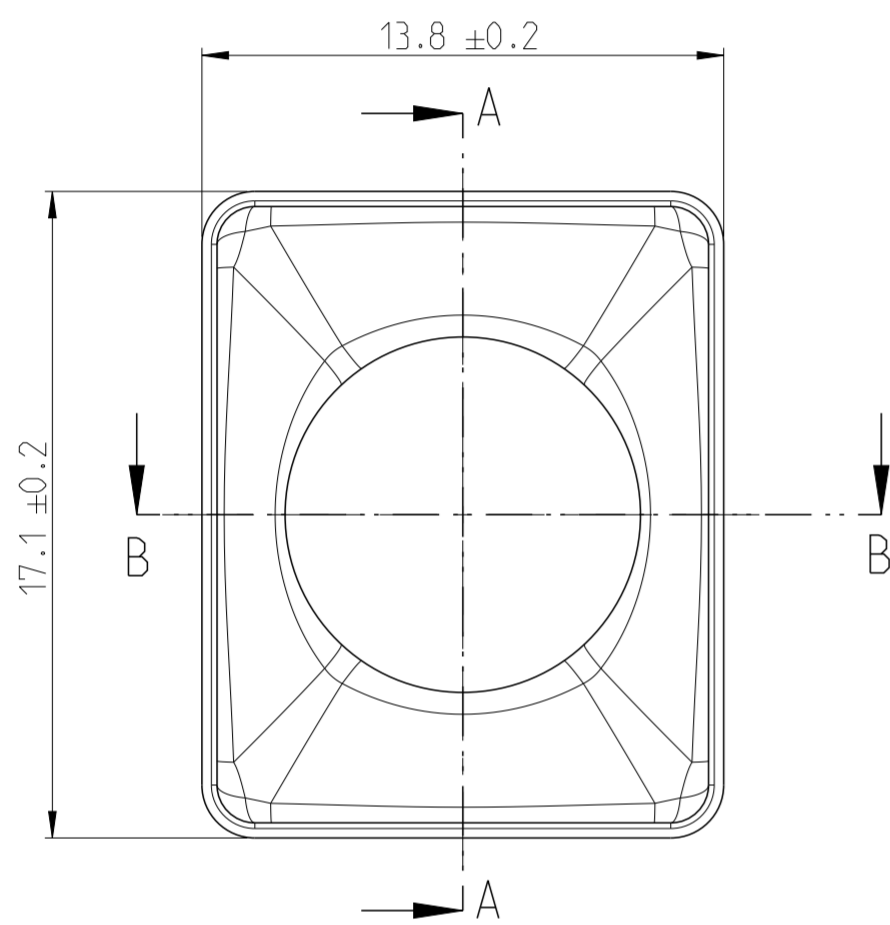


P	LTR	DESCRIPTION	DATE	DWN	APVD
	A	NEW DRAWING	12 JUN 2019	GP	HR

1:1
0- -1 AS SHOWN
wie gezeigt



NOTES
Bemerkungen

- 1 PACKAGING: BULK PACKAGING INTO PLASTIC BAG AND CORRUGATED SHIPPING BOX PN: 0-973058-3
Verpackung: Schuetftgut in Beutel und Versandkarton PN: 0-973058-3

TE PART NO.	REV	DESCRIPTION
0-2310221-1	A	INNER FERRULE,90 DEG Schirmhuelse,90 Grad

THIS DRAWING IS A CONTROLLED DOCUMENT.		DWN G.PUCKEL 12 JUN 2019	TE Connectivity													
DIMENSIONS: mm		CHK H.RIPPER 13 JUN 2019														
TOLERANCES UNLESS OTHERWISE SPECIFIED:		APVD Z.STJEPANOVIC 13 JUN 2019														
<table border="1"> <tr><td>0 PLC</td><td>±</td></tr> <tr><td>1 PLC</td><td>±</td></tr> <tr><td>2 PLC</td><td>±</td></tr> <tr><td>3 PLC</td><td>±</td></tr> <tr><td>4 PLC</td><td>±</td></tr> <tr><td>ANGLES</td><td>±°</td></tr> </table>		0 PLC	±	1 PLC	±	2 PLC	±	3 PLC	±	4 PLC	±	ANGLES	±°	PRODUCT SPEC 108-94749	NAME INNER FERRULE PCON12 PLUG 2P	RESTRICTED TO
0 PLC	±															
1 PLC	±															
2 PLC	±															
3 PLC	±															
4 PLC	±															
ANGLES	±°															
MATERIAL C19400 ANNEALED TE Spec. 100-265	FINISH SILVER PLATED versilbert	APPLICATION SPEC 114-94518	SIZE A2	CAGE CODE 00779												
CUSTOMER DRAWING		WEIGHT -	DRAWING NO C-2310221	SCALE 5:1												
		SHEET 1 OF 1		REV A												