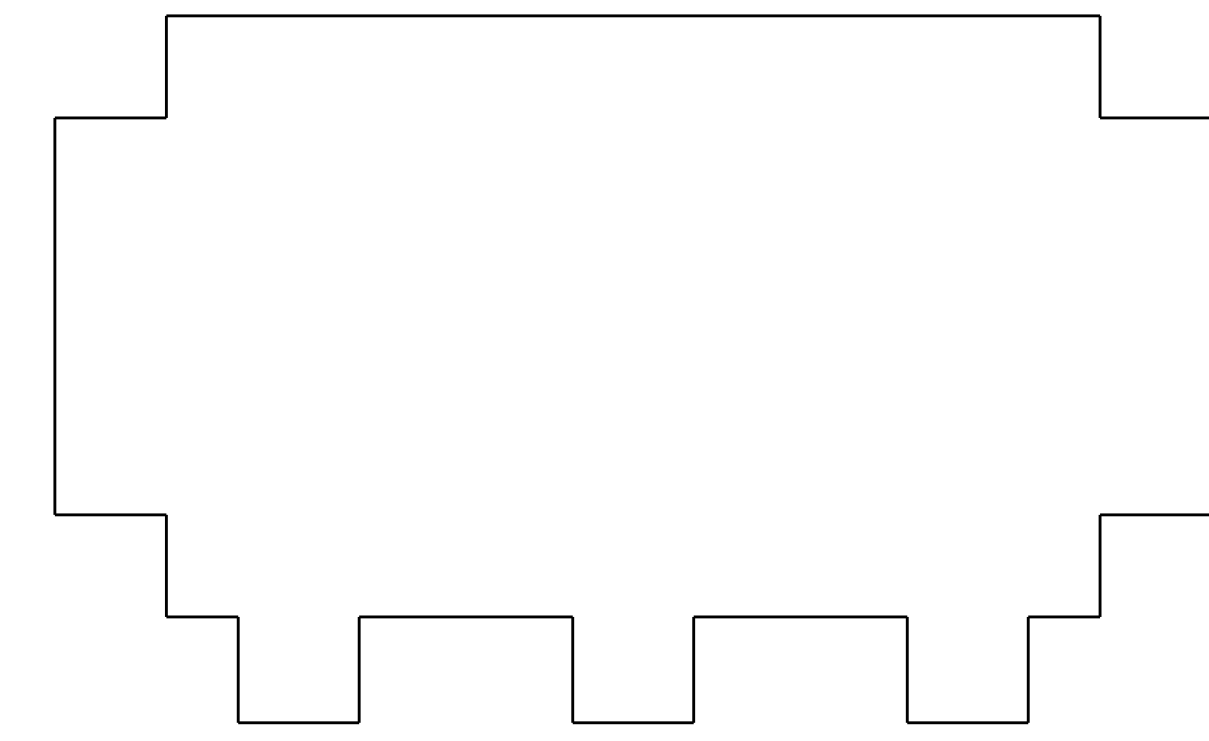
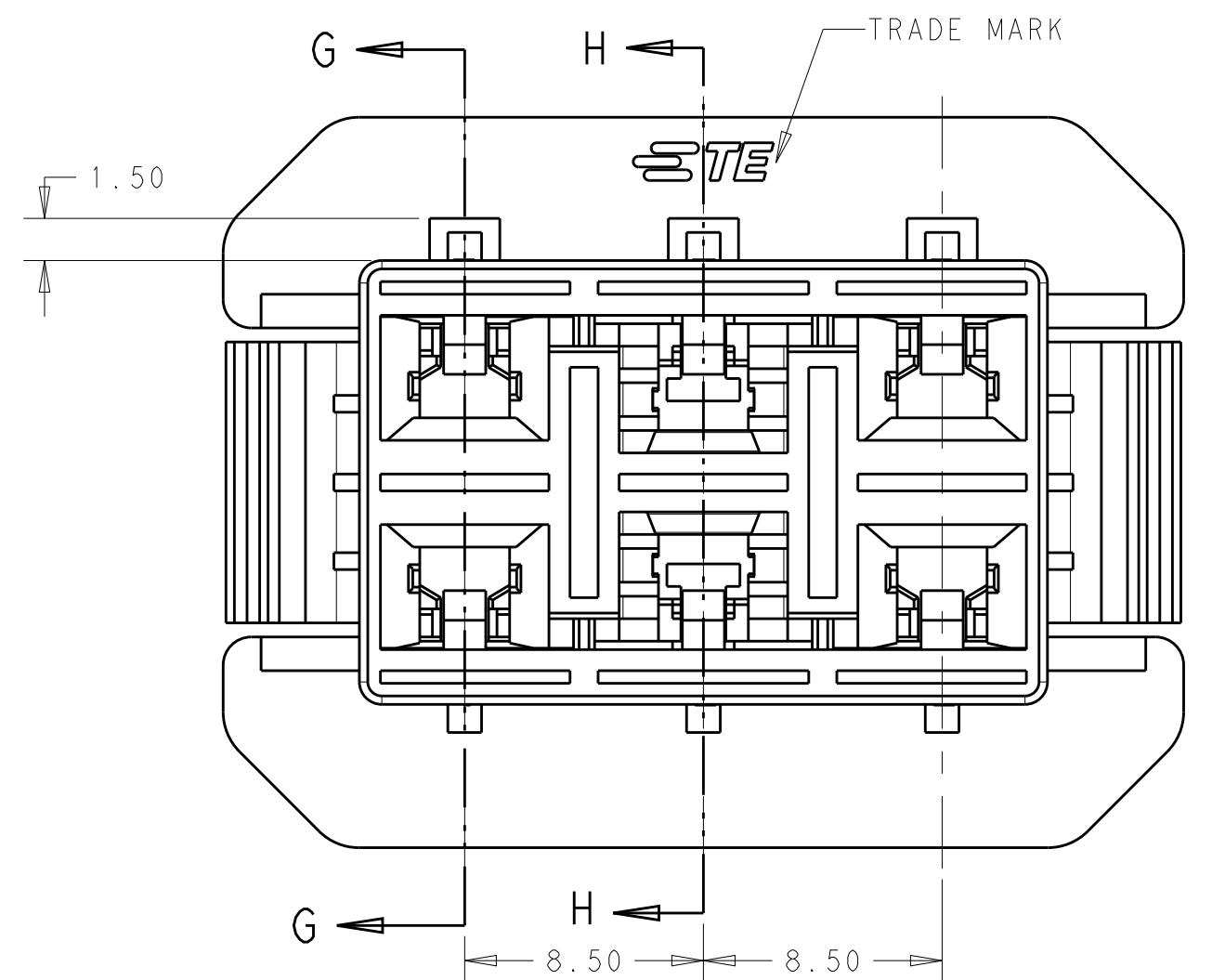
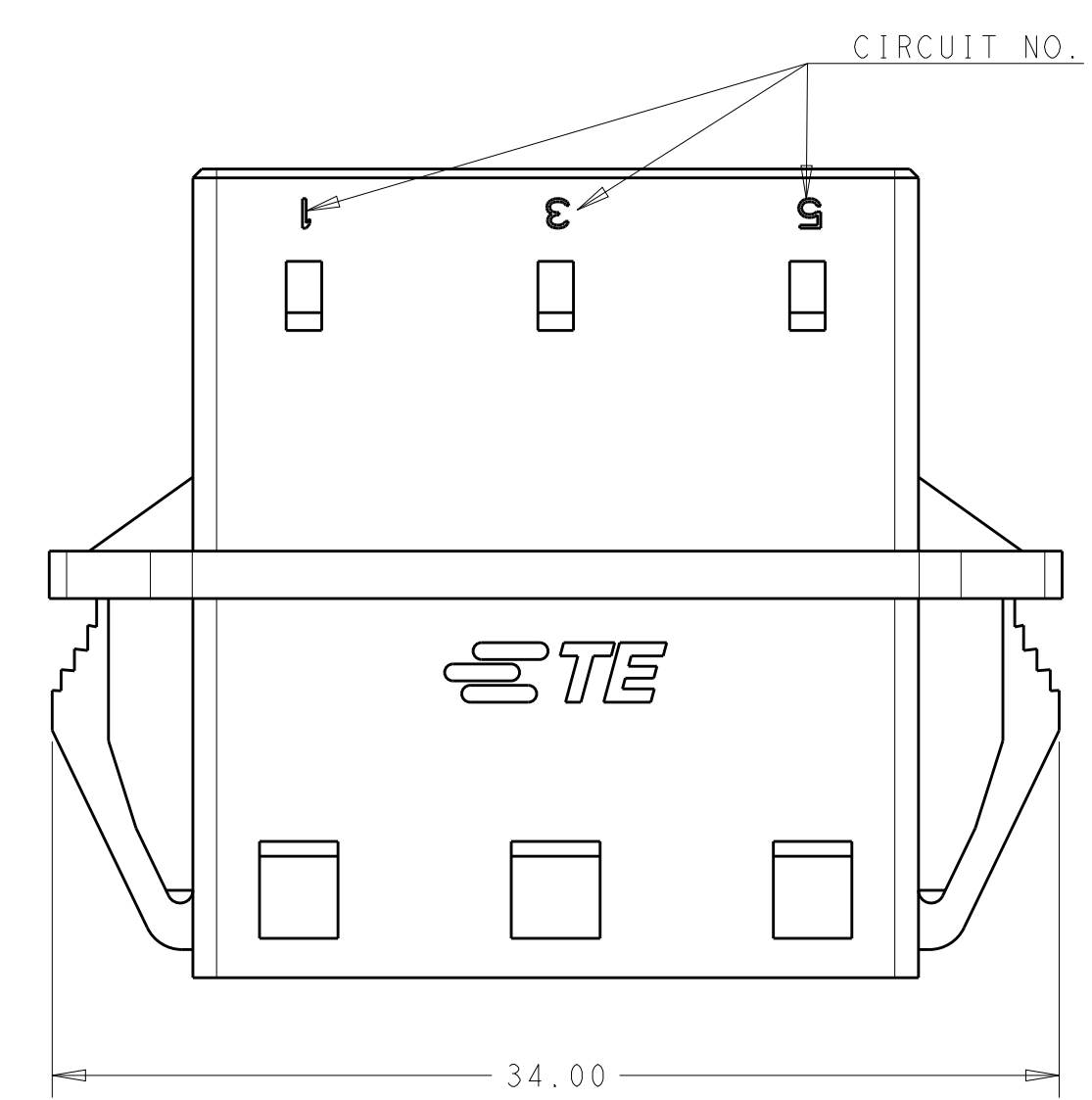
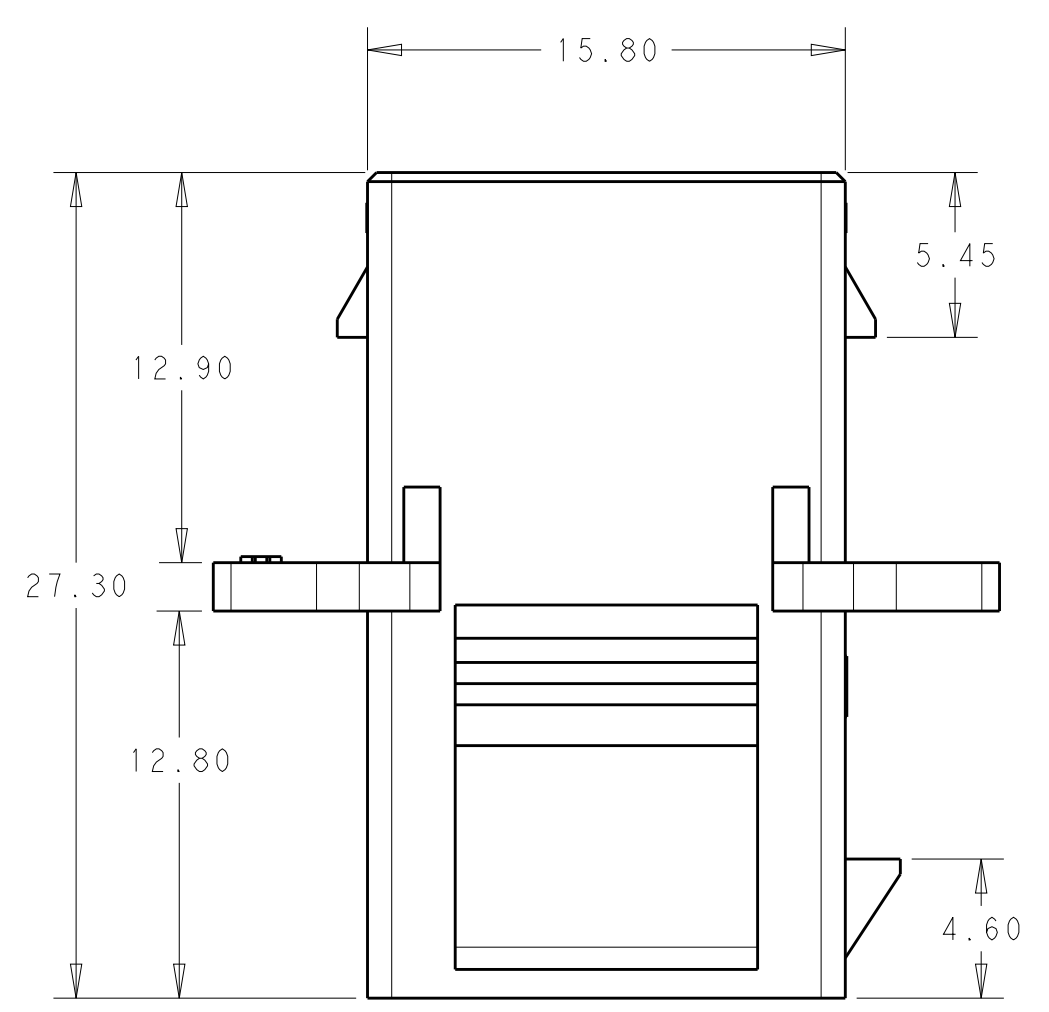


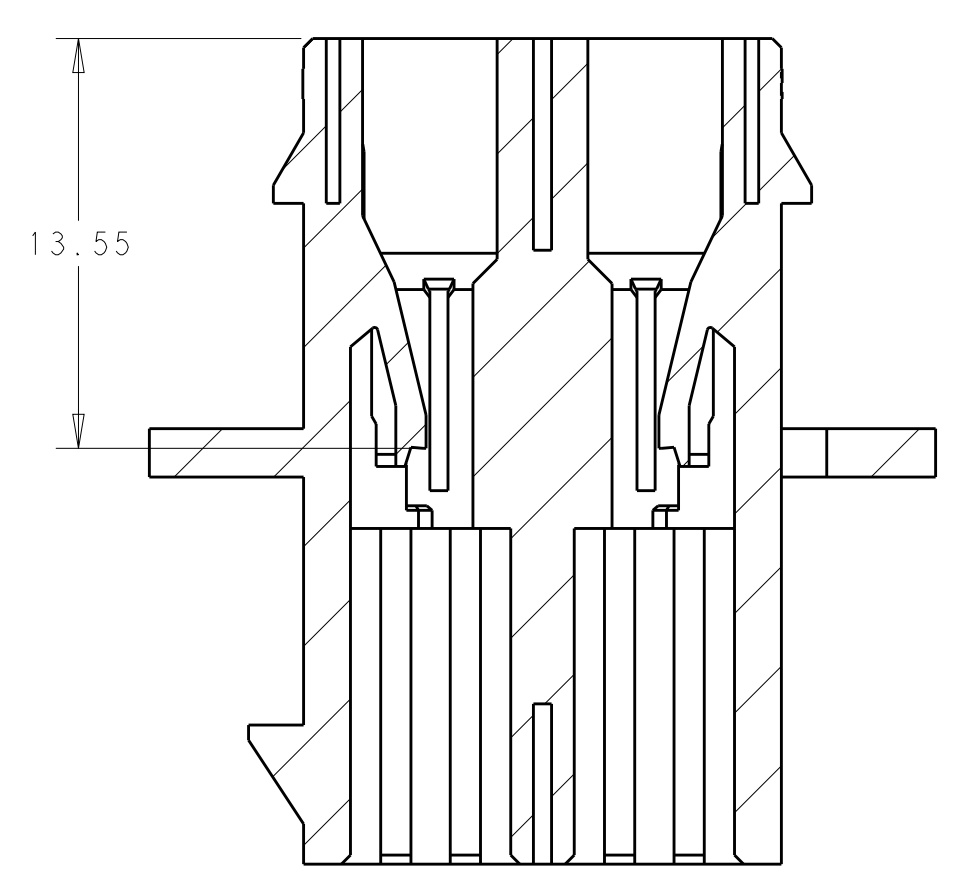
REVISIONS				
P.	LTM	DESCRIPTION	DATE	OWN APVD
A1		FIRST RELEASED	09FEB2017	N. L. D. Z



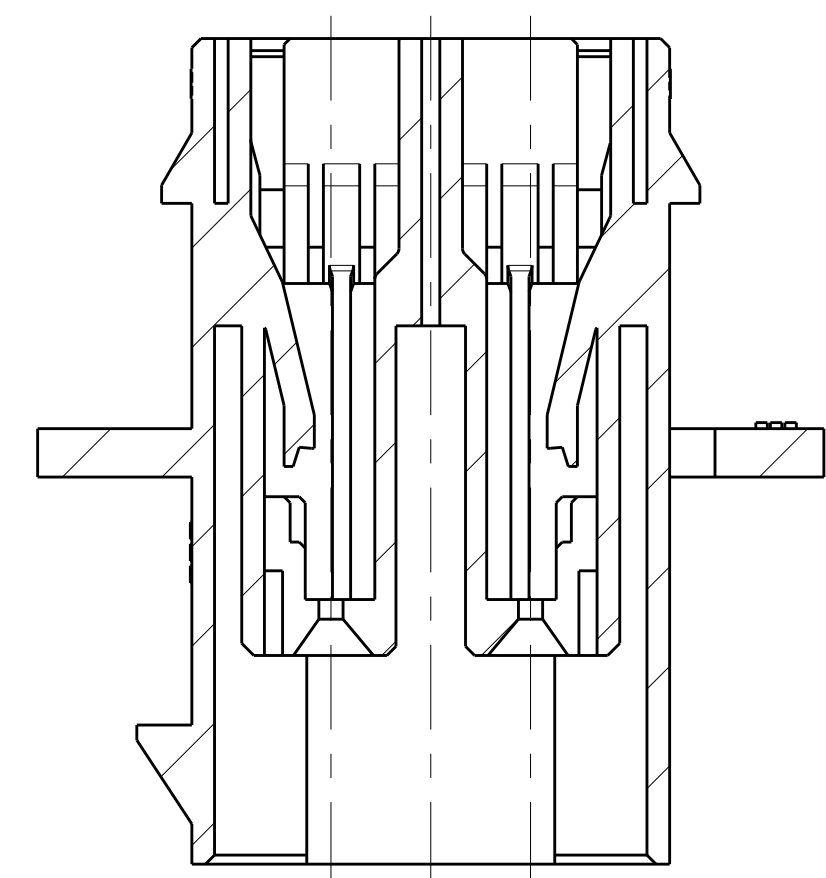
RECOMMENDED PANEL OPENING DIMENSIONS
 (TOLERANCE: ±0.05mm)



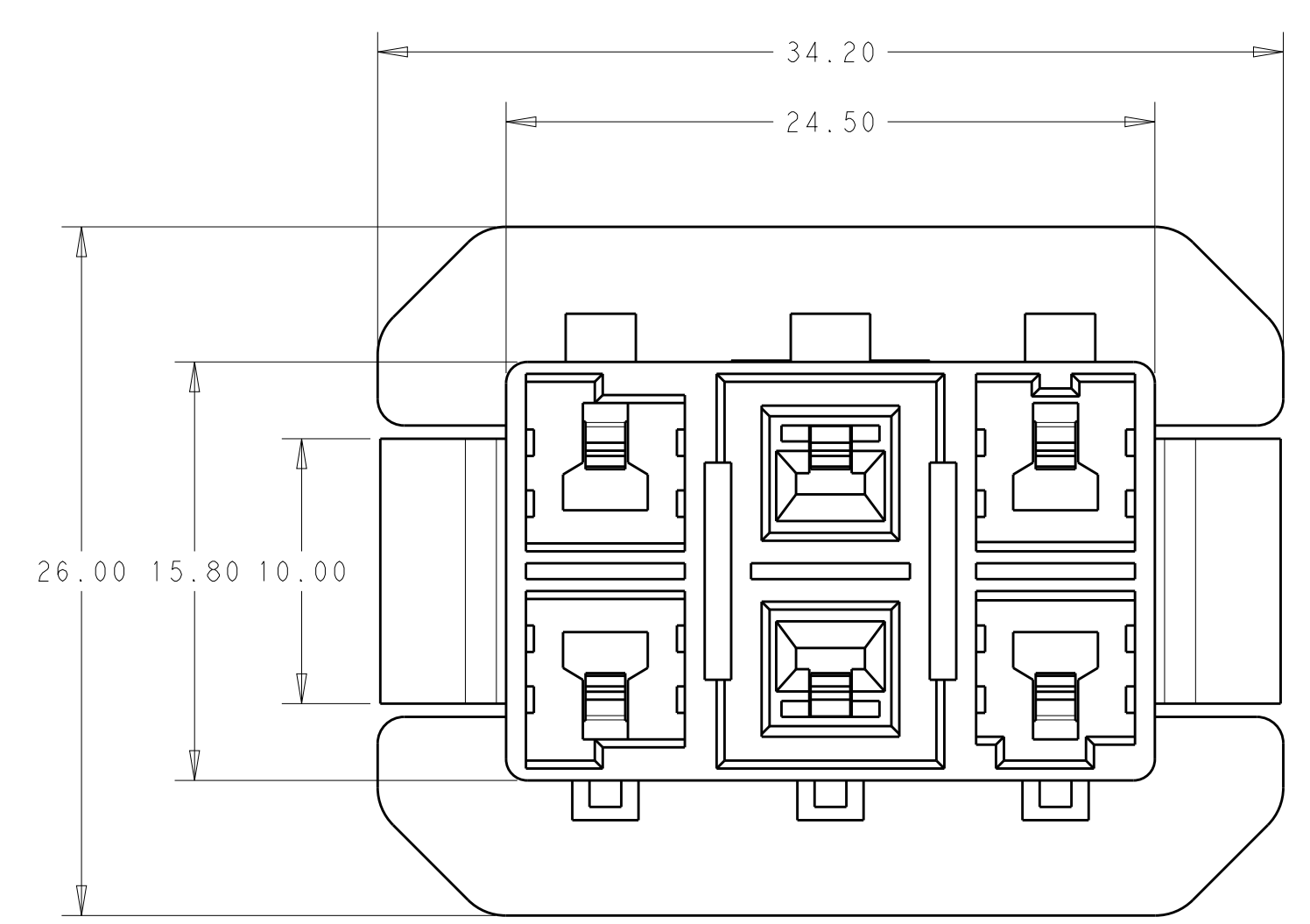
CONN. INSERTION DIRECTION FOR PANEL



SECTION G-G

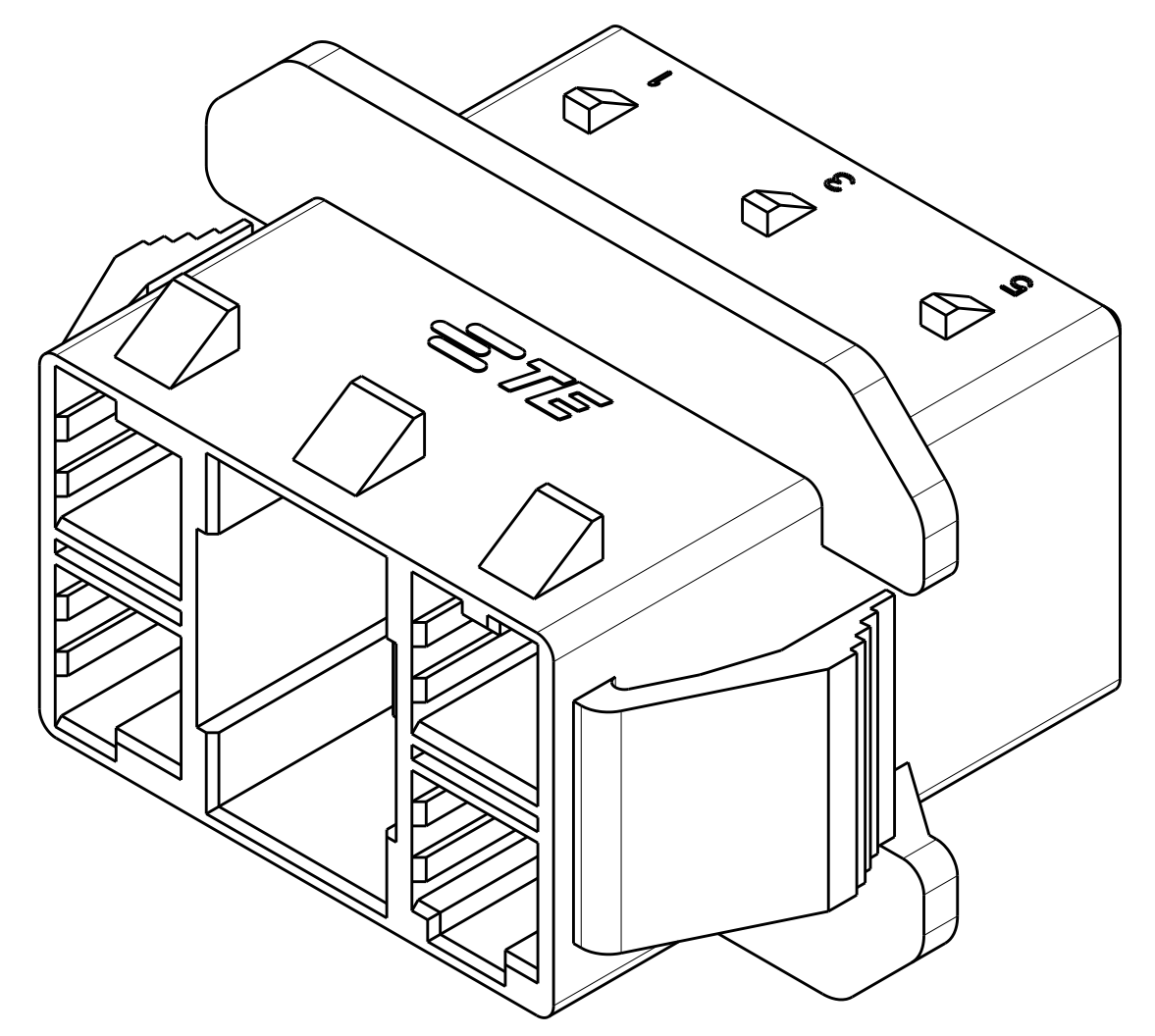


SECTION H-H



NOTE

- 1 MATERIAL: THERMOPLASTIC, UL94 V-0, COLOR: NATURAL
- 2 PRODUCT SPEC: 108-106071
- 3 APPLICABLE CONTACT P/N:
 TAB CONTACT: 1983661/2-1
 REC CONTACT: 1983663/4-1
- 4 MATING CONN. P/N:
 HSG: 1971882-2(2P), 1983659-1(4P)
- 5 APPLICABLE DOUBLE LOCK PLATE P/N: 1983667-1
- 6 APPLICABLE PANEL THICKNESS: 1.2mm
7. PRODUCT COMPLY WITH GLOW WIRE REQUIREMENTS FOR PARTS OF NON-METALLIC MATERIAL SUPPORTING A CURRENT-CARRYING CONNECTION DETAILED IN IEC 60335-1, SECTION 30 (GWT).



2310133-1
 PART NUMBER

THIS DRAWING IS A CONTROLLED DOCUMENT.		OWN: NINA LIU 09OCT2016	TE Connectivity
DIMENSIONS:		CHK: DANIEL ZHNAG 09OCT2016	
mm	TOLERANCES UNLESS OTHERWISE SPECIFIED:	APVD: DANIEL ZHNAG 09OCT2016	NAME: MULTI 6P CONNECTOR
0 PLC	±	PRODUCT SPEC	SIZE: CAGE CODE DRAWING NO
1 PLC	±0.30	APPLICATION SPEC	RESTRICTED TO
2 PLC	±	114-106071	A100779C=2310133
3 PLC	±	114-106071	SCALE: N/A SHEET 1 OF 1 REV: A1
4 PLC	±	WEIGHT	
ANGLES	±	CUSTOMER DRAWING	
MATERIAL	FINISH		