

THIS DRAWING IS UNPUBLISHED.

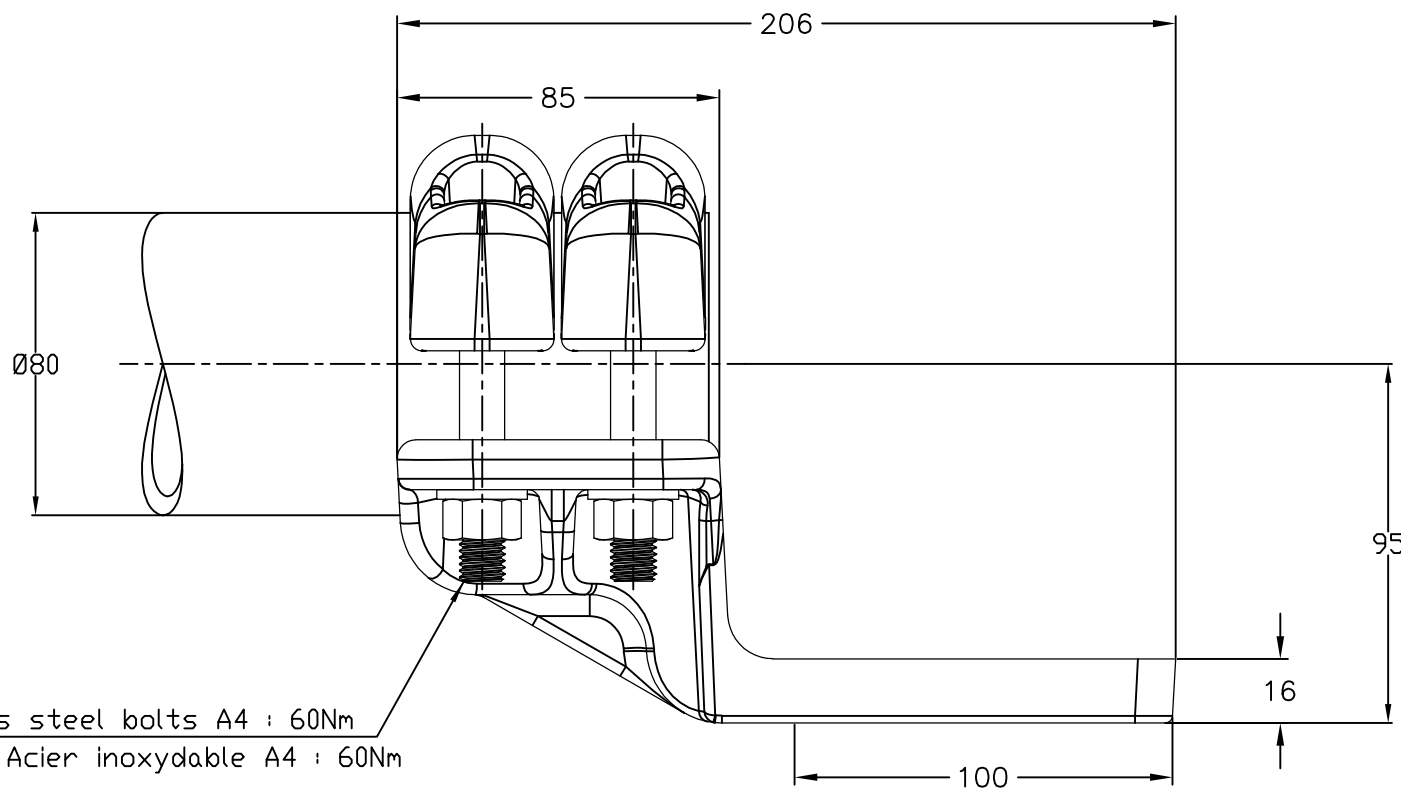
RELEASED FOR PUBLICATION

ALL RIGHTS RESERVED.

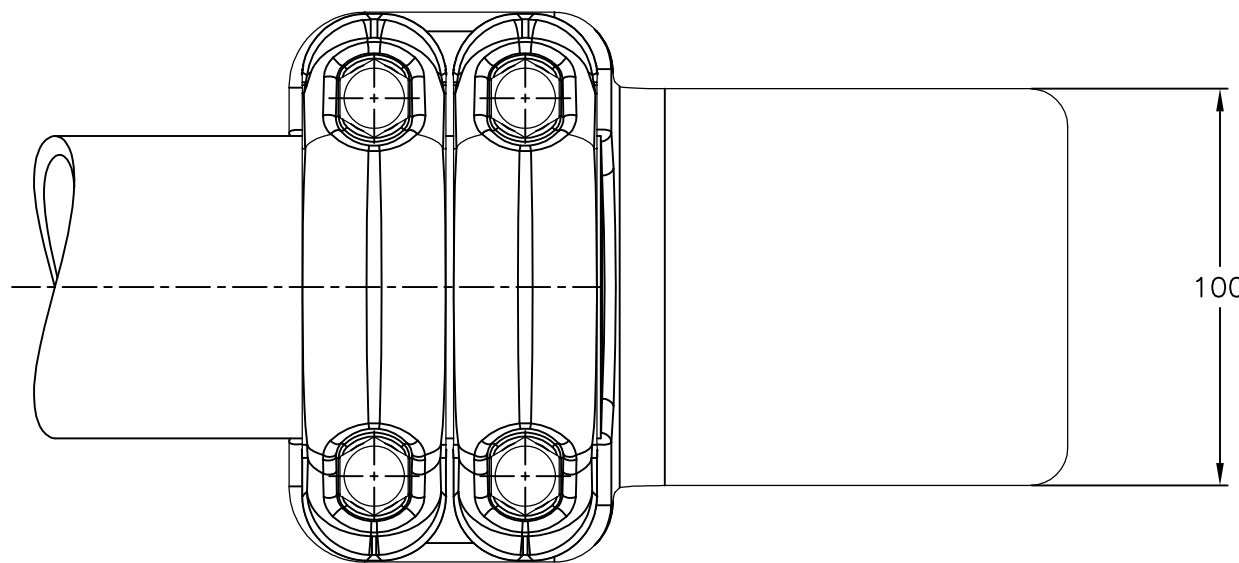
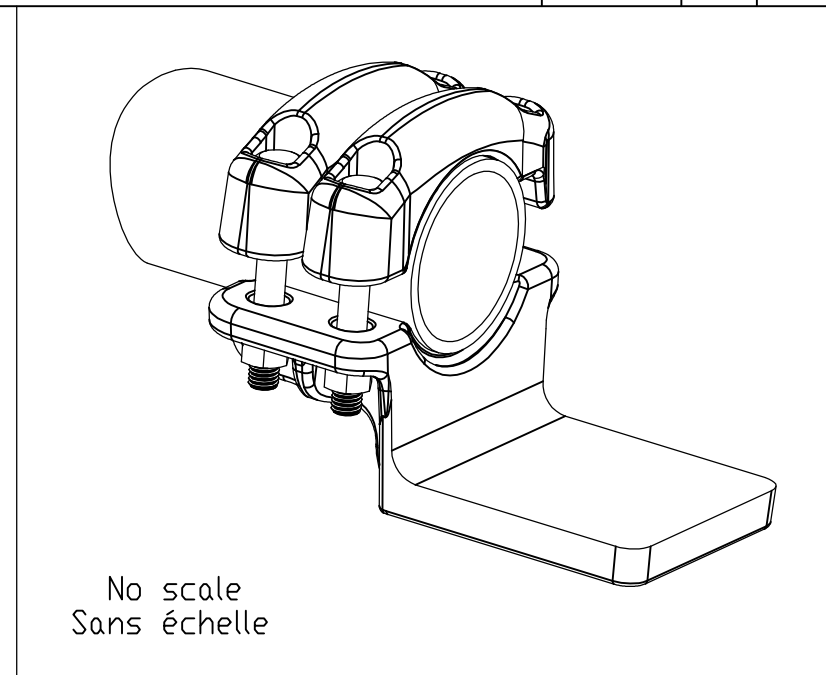
© COPYRIGHT - By -

REVISIONS

P	LTR	DESCRIPTION	DATE	DWN	APVD
	A	CREATION	04-Oct-16	JPM	-



M12 Stainless steel bolts A4 : 60Nm
 Boulons M12 Acier inoxydable A4 : 60Nm



ITEM:.....

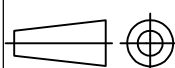
THIS DRAWING IS A CONTROLLED DOCUMENT.

DWN MOYEUX 04-Oct-16
 CHK -



DIMENSIONS: mm

TOLERANCES UNLESS OTHERWISE SPECIFIED:



- 0 PLC ± -
- 1 PLC ± -
- 2 PLC ± -
- 3 PLC ± -
- 4 PLC ± -
- ANGLES ± -
- FINISH -

MATERIAL -

APVD -
 PRODUCT SPEC 108-69094-001
 APPLICATION SPEC -

NAME BUSBAR CONNECTOR TO HORIZONTAL PAD
 RACCORD TUBE SUR PLAGE DEPORTEE
 5 TTPD 84 T80 100

APPROX.WEIGHT 2.3 kg
 SIZE A3 CAGE CODE 00779 DRAWING NO C=2310089 RESTRICTED TO -

CUSTOMER DRAWING SCALE 1:2 SHEET 1 OF 1 REV A