

THIS DRAWING IS UNPUBLISHED.

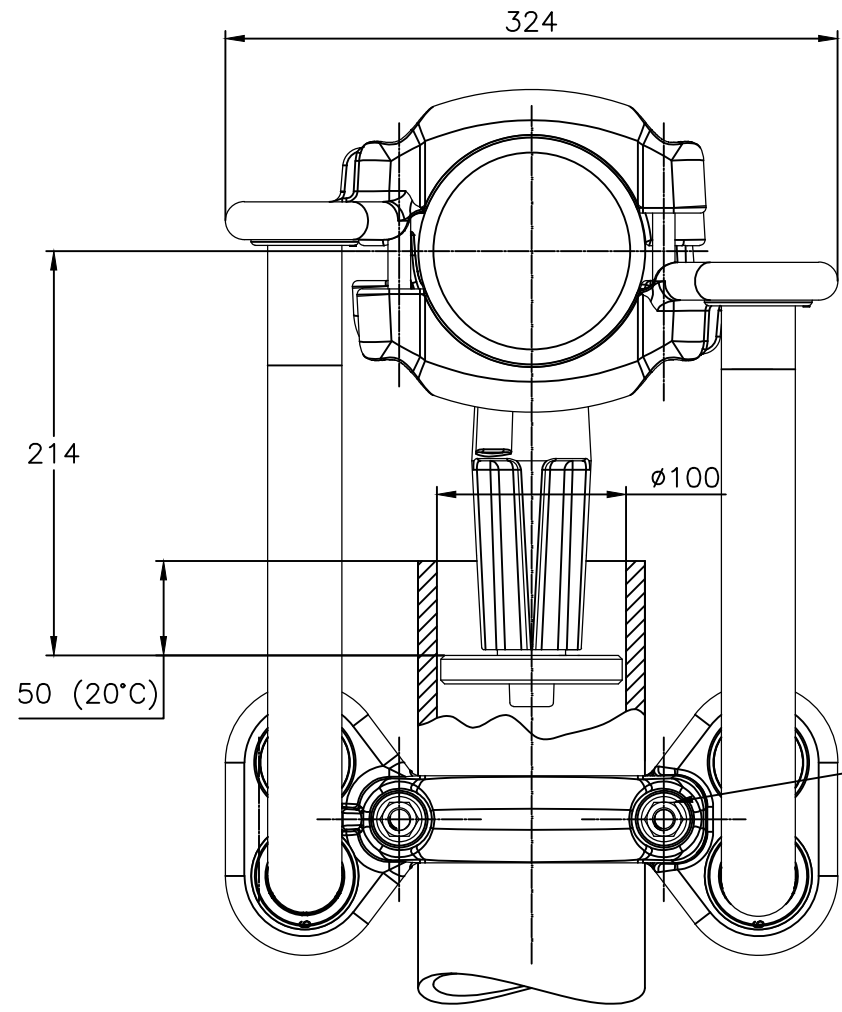
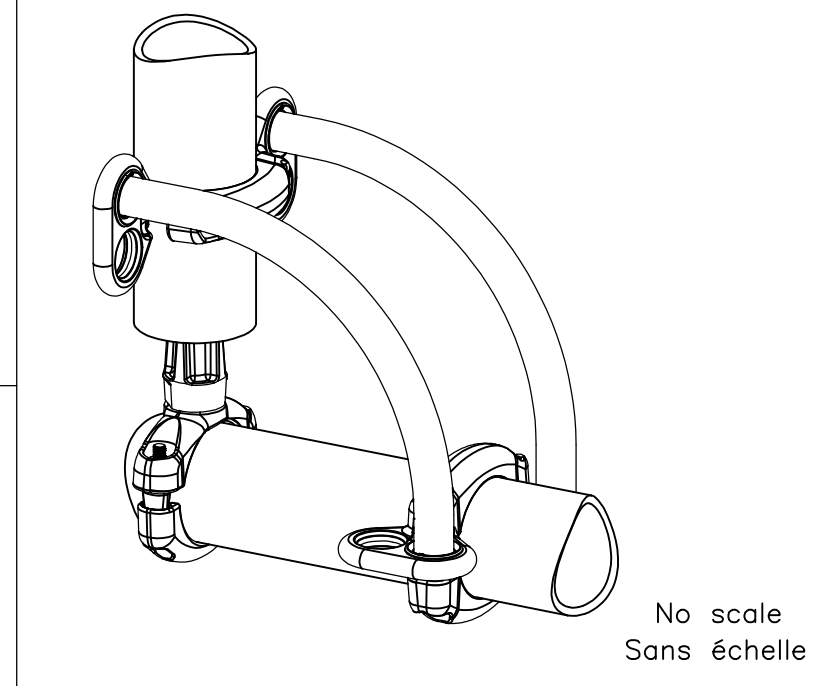
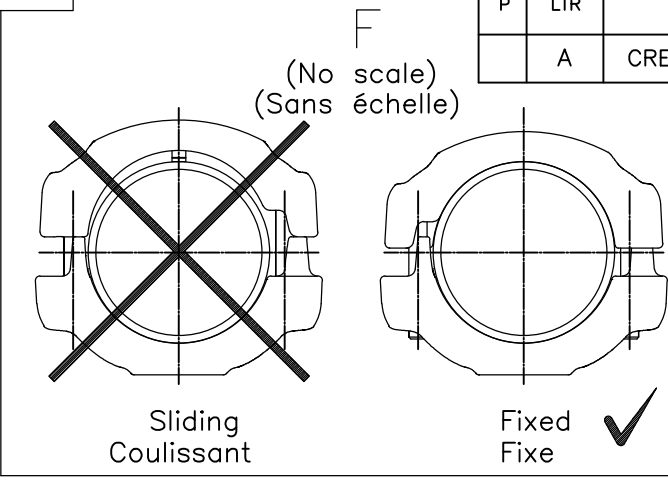
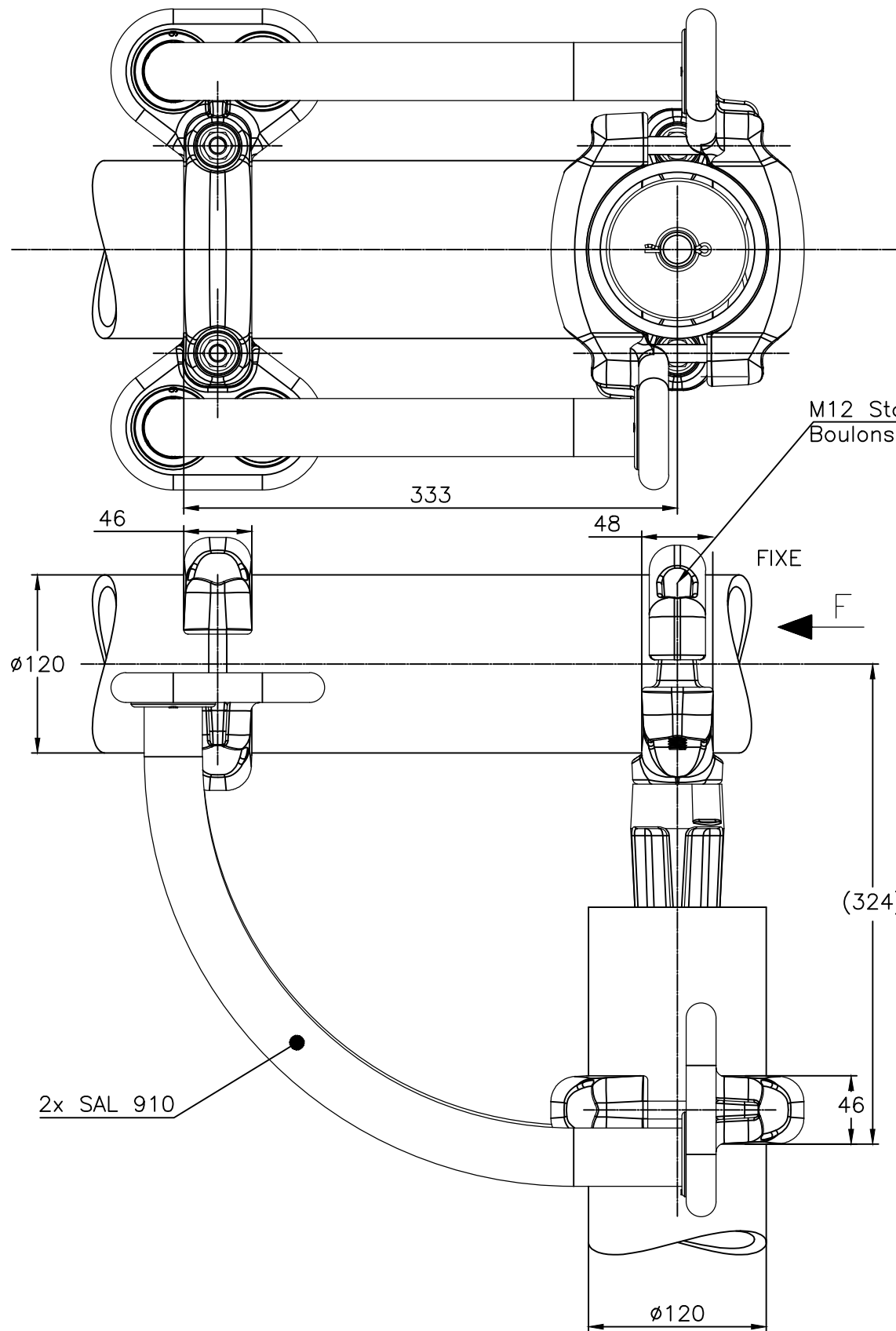
RELEASED FOR PUBLICATION

ALL RIGHTS RESERVED.

© COPYRIGHT - By -

REVISIONS

P	LTR	DESCRIPTION	DATE	DWN	APVD
	A	CREATION	22-Sep-16	JG	-



ITEM:.....

THIS DRAWING IS A CONTROLLED DOCUMENT.		DWN GODARD	22-Jan-16	<b>STE</b> TE Connectivity	
DIMENSIONS: mm		CHK -	APVD -		
TOLERANCES UNLESS OTHERWISE SPECIFIED:		PRODUCT SPEC 108-69090-001		NAME EXPANSION TEE CONNECTOR FOR TUBE RACCORD EN T A DILATATION POUR TUBE 5 TDL 82 T120 T100/120 29	
MATERIAL		APPROX.WEIGHT 9.9 kg		SIZE A3	CAGE CODE 00779
FINISH		CUSTOMER DRAWING		DRAWING NO C=2309966	RESTRICTED TO -
		SCALE 1:4		SHEET 1 OF 1	REV A