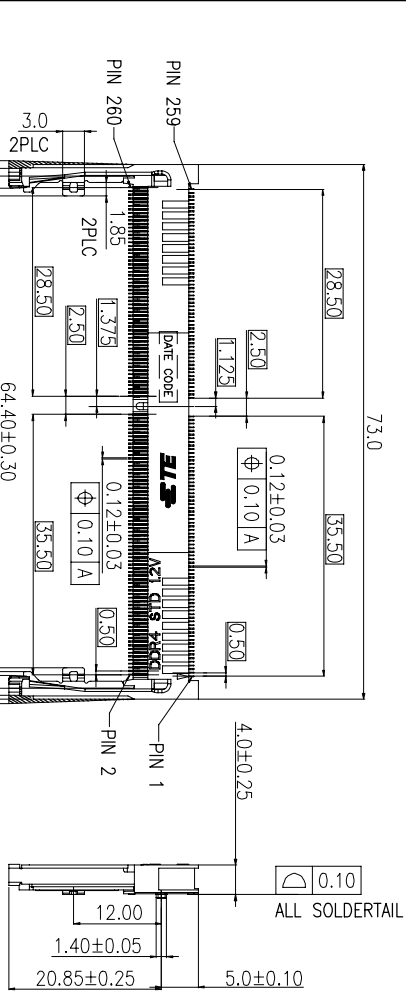
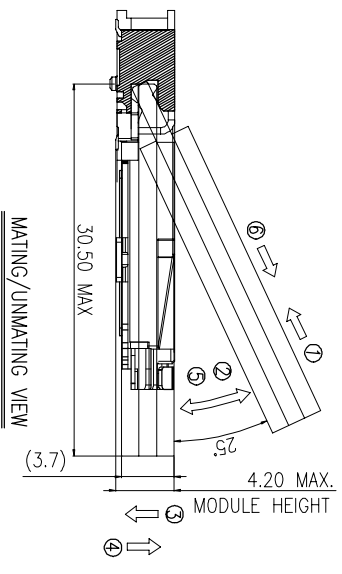
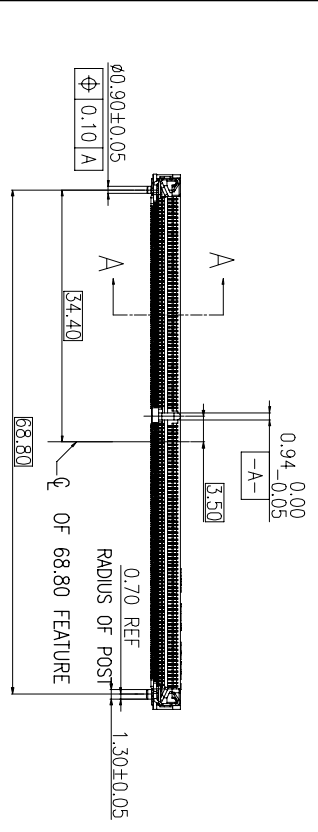


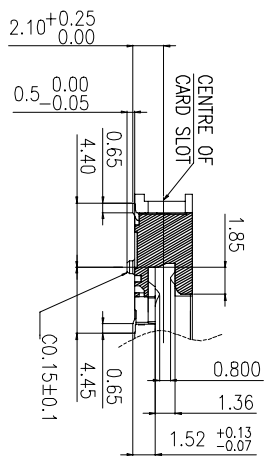
REV	DATE	BY	APP'D	DESCRIPTION
5	14FEB2024	SMS	SPS	REVISED AS PER ECR-24-199188



- NOTES:
1. MATERIAL:
- 1.1 HOUSING: HIGH TEMPERATURE THERMO PLASTIC, UL94V-0, COLOR: BLACK.
 - 1.2 CONTACT: COPPER ALLOY.
 - 1.3 SOLDER PEG AND LATCH: STAINLESS STEEL.
2. FINISH:
- SOLDER PEG: GOLD FLASH ON 50u" MIN NICKEL UNDERPLATED ALL OVER.
 - CONTACT SOLDER AREA: GOLD FLASH ON 50u" MIN NICKEL UNDERPLATED ALL OVER.
- 2.1 CONTACT AREA: GOLD FLASH ON 50u" MIN NICKEL UNDERPLATED ALL OVER.
 - 2.2 CONTACT AREA: 5u" ON 50u" MIN NICKEL UNDERPLATED ALL OVER.
 - 2.3 CONTACT AREA: 10u" ON 50u" MIN NICKEL UNDERPLATED ALL OVER.
 - 2.4 CONTACT AREA: 15u" ON 50u" MIN NICKEL UNDERPLATED ALL OVER.
 - 2.5 CONTACT AREA: 30u" ON 50u" MIN NICKEL UNDERPLATED ALL OVER.
3. COPPLANARITY: 0.10MAX. (BEFORE SOLDERING)



MATING: ① INSERTING(25°) — ② ROTATING — ③ FIXED
 UNMATING: ④ UNFIXED — ⑤ ROTATING — ⑥ WITHDRAWING



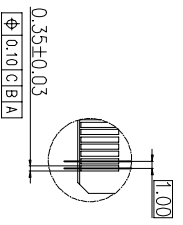
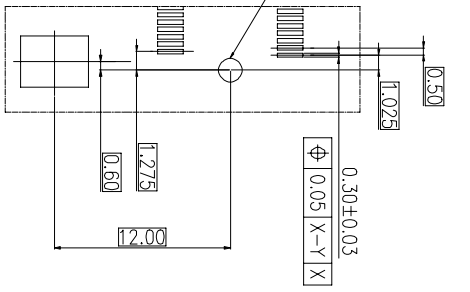
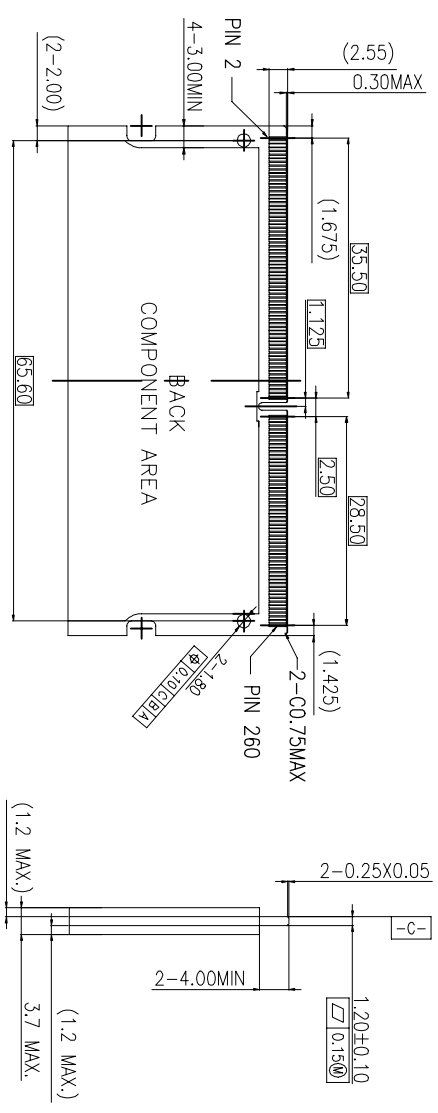
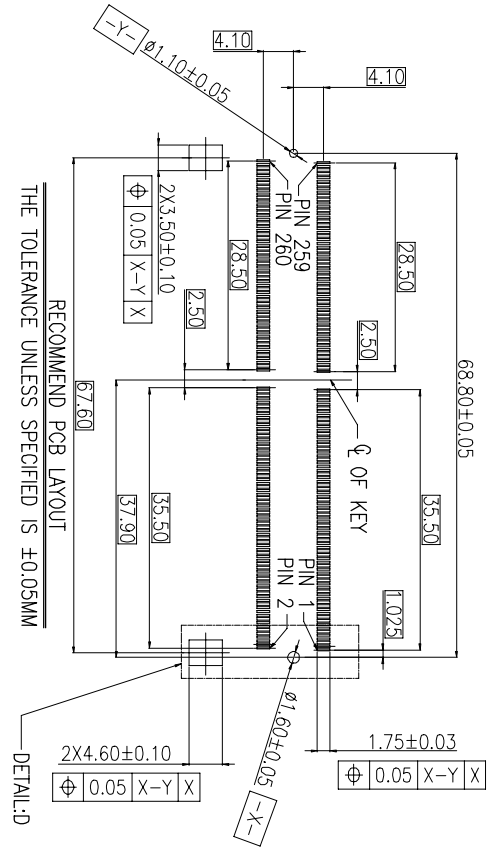
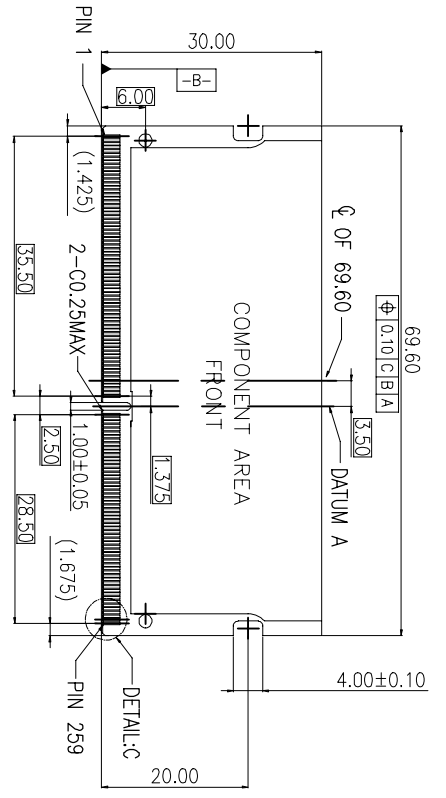
SECTION: A-A
SCALE 2:1

TAPE&REEL	BLACK	1.2V	30u"	260	2309407-5
TAPE&REEL	BLACK	1.2V	15u"	260	2309407-4
TAPE&REEL	BLACK	1.2V	10u"	260	2309407-3
TAPE&REEL	BLACK	1.2V	5u"	260	2309407-2
TAPE&REEL	BLACK	1.2V	GF	260	2309407-1
PAKING TYPE	HOUSING COLOR	POWER SUPPLY FINISH	POS	PART NO.	

THIS DRAWING IS A CONTROLLED DOCUMENT.

DIMENSIONS: mm 0 R.C. 1 R.C. 2 R.C. 4 R.C. FINISH	TOLERANCES UNLESS OTHERWISE SPECIFIED: ± 0.25 ± 0.18 ± 0.10 ± 0.05
---	--

NAME: RICHARD MA
 PRODUCT SPEC: 108-115122
 APPLICATION SPEC: 4.0mm HEIGHT STANDARD TYPE
 SIZE: A2
 QTY: 2309407
 SCALE: 2:1
 SHEET: 1 of 3
 REV: 5



DETAIL: C
SCALE 2:1

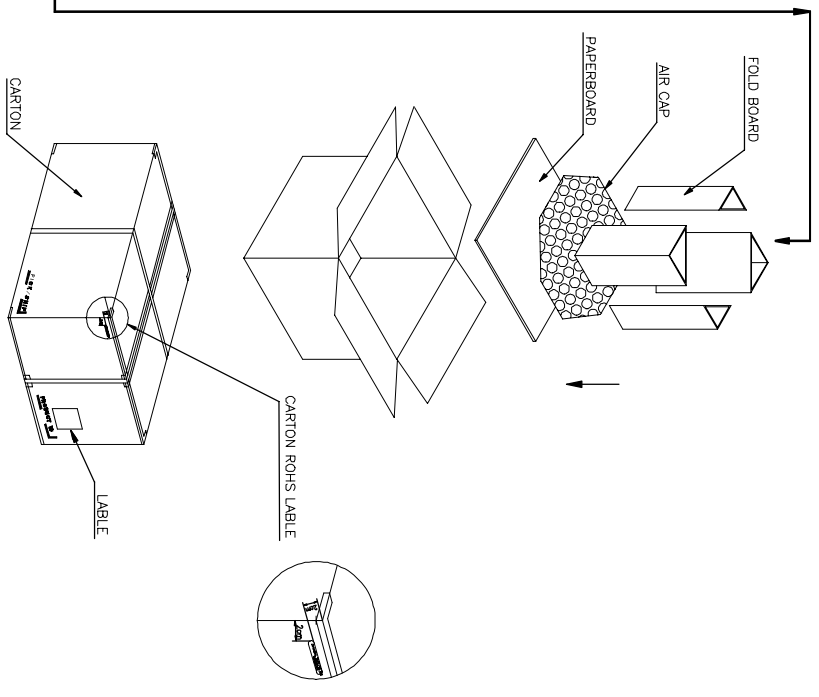
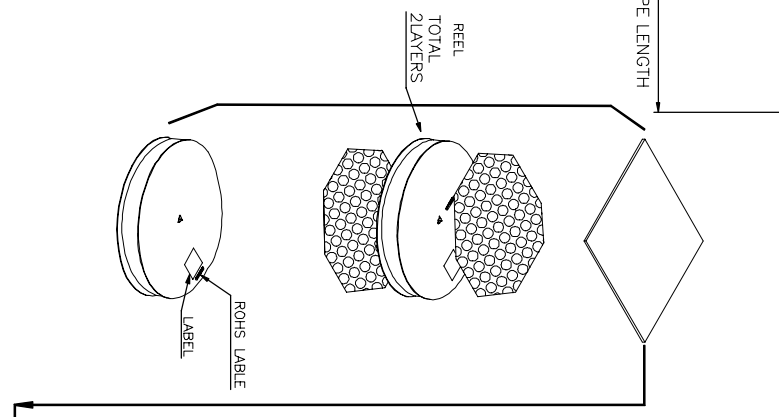
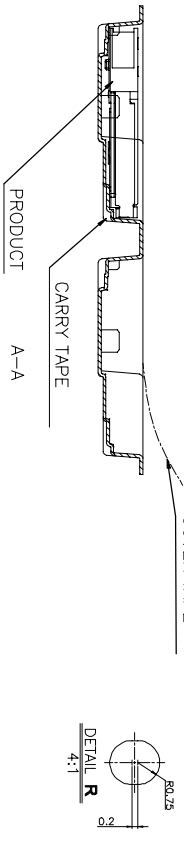
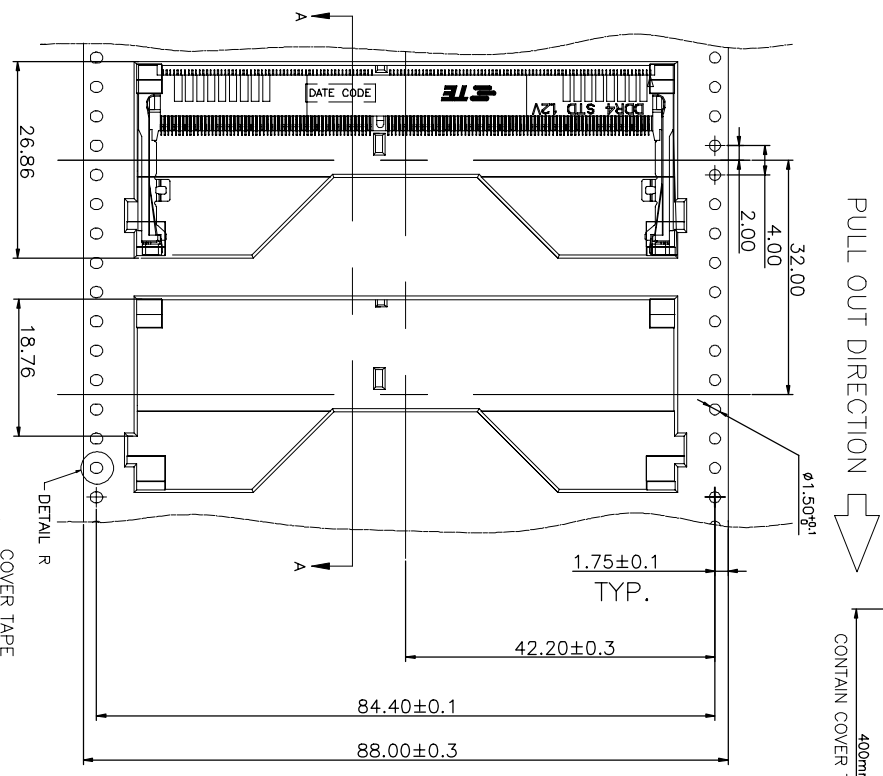
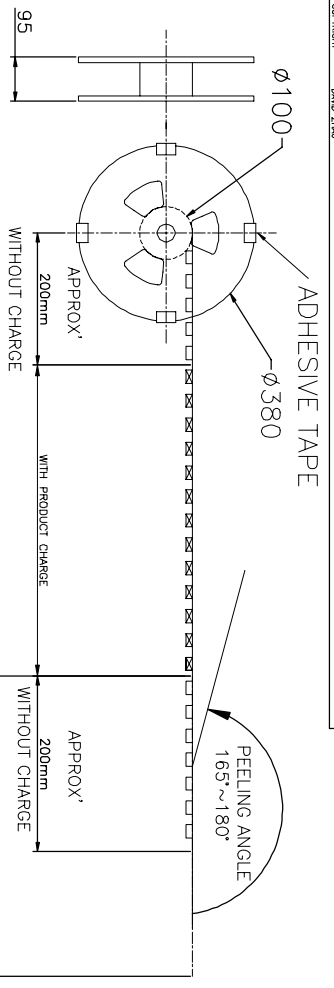
DETAIL: D
SCALE 2:1

THIS DRAWING IS A CONTROLLED DOCUMENT.		ENR: DAVID ZHAO	11MAR2021
DIMENSIONS: mm		CHK: RICHARD MA	11MAR2021
TOLERANCES UNLESS OTHERWISE SPECIFIED:		NAME: PERIOM L1	
0 R.C.	+	PRODUCT SPEC	
1 R.C.	±	APPLICATION SPEC	
2 R.C.	±	WEIGHT	
4 R.C.	±	CUSTOMER DRAWING	
MATERIAL		SIZE: A2	00779
		QTY: 2309407	
		SCALE: 2:1	SHEET: 2 of 3
		REV: 5	

STE TE Connectivity

DDR4 SODIMM SOCKET
0.5mm PITCH 260POS
4.0mm HEIGHT STANDARD TYPE

REVISIONS		DATE	OWN	APP'D
P	URL			
	DESCRIPTION			



THIS DRAWING IS A CONTROLLED DOCUMENT.

DIMENSIONS:	TOLERANCES UNLESS OTHERWISE SPECIFIED:	DATE	11MAR2021
mm	0 R.C. ±	CHECKED	RICHARD MA
	1 R.C. ±	DATE	11MAR2021
	2 R.C. ±	NAME	DAVID ZHAO
	4 R.C. ±	PRODUCT	DR4 SODIMW SOCKET
	ANGLES	PRODUCT SPEC	0.5mm PITCH 260POS
	FRACTIONS	APPLICATION SPEC	4.0mm HEIGHT STANDARD TYPE
		WEIGHT	
		CUSTOMER DRAWING	A2 00779

450	2	900	*-2309407--*
PCS/ REEL	REEL/ CARTON	PCS/ CARTON	PART NUMBER

STE TE Connectivity

2309407