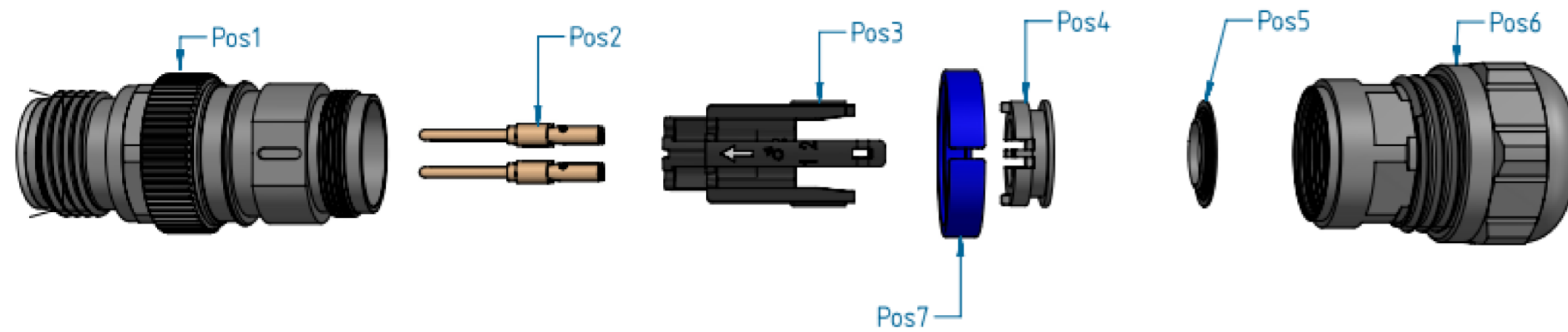


© 2021 TE Connectivity. All Rights Reserved.	
PROJECT	PRJ-14-000004825
PART NO.	X-2308331-X
DESCRIPTION	M12 D-CODED M-4 CABLE GLAND CONNECTOR MALE
CUSTOMER	GENERAL MARKET

REVISIONS					
P	LTR	DESCRIPTION	DATE	DWN	APVD
C		REVISED PER ECR-20-016862	08DEC2020	GK	SE



7	(1)	COLOR RING (OPTIONAL)	THERMOPLASTIC
6	1	CABLE GLAND	Cu-ALLOY
5	1	DISC	THERMOPLASTIC
4	1	DISC HEAD	Cu-ALLOY
3	1	CONTACT HOLDER	PA (THERMOPLAST)
2	-	ORDERED SEPARATELY	Cu-ALLOY GOLD-PLATED
1	1	FRONT HOUSING	Cu-ALLOY NICKEL-PLATED
SL. NO.	QTY	DESCRIPTION	MATERIAL

M12 D-CODED M-4 CABLE GLAND MALE CONNECTOR

SL. NO.	TE PART NO.	DESCRIPTION	No. of CONTACTS	OUTSIDE CABLE DIA
1	1-2308331-1	M12 D-CODED M-4 CABLE GLAND CONNECTOR MALE 4-6.5 mm	4	4-6.5 mm
2	1-2308331-2	M12 D-CODED M-4 CABLE GLAND CONNECTOR MALE 5.5-9 mm	4	5.5-9 mm

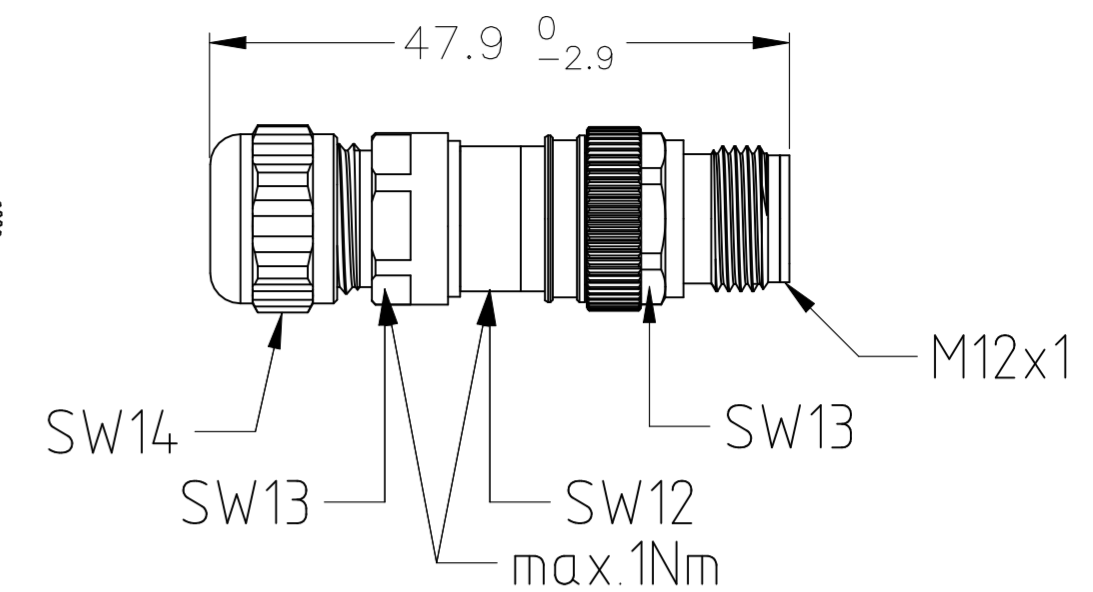
SHIELD DISC CHART		
PART NAME	CENTER HOLE SHIELD DISC	CABLE DIAMETER W/O OUTER SHEATH
SHIELD DISC 1	4 mm	3.9 mm MAX.
SHIELD DISC 2	5 mm	4.9 mm MAX.
SHIELD DISC 3	6 mm	5.9 mm MAX.
SHIELD DISC 4	7 mm	6.9 mm MAX.

CONTACTS TABLE					
M12 CODING	PIN/SOCKET	PICTURE	WIRE SIZE	TE P/N	DESCRIPTION
D CODING	PIN		AWG20/22	1-2314102-1	M12 CRIMP CONTACT PIN 1mm Au 0.8µ
			AWG22/24	1-2314102-2	M12 CRIMP CONTACT PIN 1mm Au 0.8µ

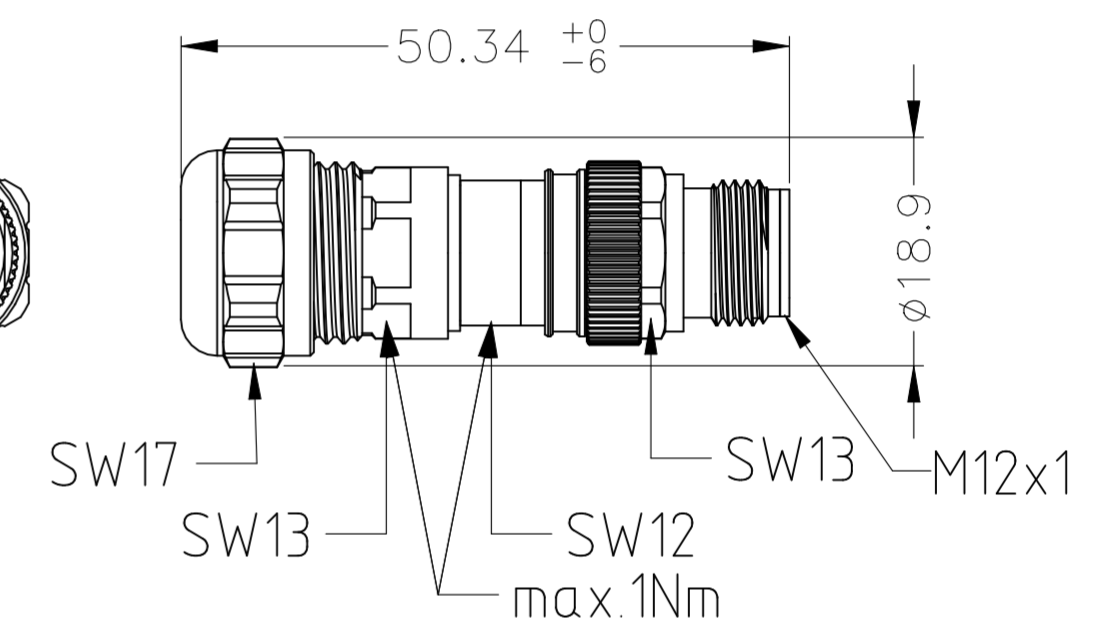
PLEASE NOTE: CONTACTS NEED TO BE ORDERED SEPARATELY DEPENDING ON THE AWG SIZE.

NOTES:

- ALL DIMENSIONS ARE FOR NOMINAL REFERENCE ONLY.
- PACKAGING: 1 PIECE IN A BAG.
- THE CONNECTOR IS AS PER IEC 61076-2-101.
- TEMPERATURE RANGE: -40°C TO 85°C.
- VIBRATION & SHOCK TEST CONDUCTED AS PER IEC 61373:1999.
- FIRE PERFORMANCE CONDUCTED AS PER EN45545-2, NFF16-101 AND NFF16-102.
- THE THREAD OF THE MATING INTERFACE WITH THE COUNTERPART IS M12x1 ACCORDING TO IEC61076-2-101.
- SUPPLIER RECOMMENDED CRIMP INSERT: SHOULD BE VALIDATED ON CABLE USED.
- SHIELD DISC 1 - 4 ARE SUPPLIED IN THE BOX



SHOWN 1-2308331-1



SHOWN 1-2308331-2



ISO VIEW

THIS DRAWING IS A CONTROLLED DOCUMENT.		DWN GOPALAKRISHNA HV 04AUG2020	TE Connectivity	
DIMENSIONS: mm		CHK S EGBERT 04AUG2020	NAME M12 D-CODED M-4 CABLE GLAND CONNECTOR MALE	
TOLERANCES UNLESS OTHERWISE SPECIFIED: DIN ISO 2768 m		APVD S EGBERT 04AUG2020	PRODUCT SPEC 108-156001	
0 PLC ± - 1 PLC ± - 2 PLC ± - 3 PLC ± - 4 PLC ± - ANGLES ± -		APPLICATION SPEC 114-156002	DRAWING NO A2 00779	
MATERIAL		FINISH	WEIGHT	RESTRICTED TO
-		-	-	-
CUSTOMER DRAWING			SCALE NTS	SHEET 1 of 1
			REV C	