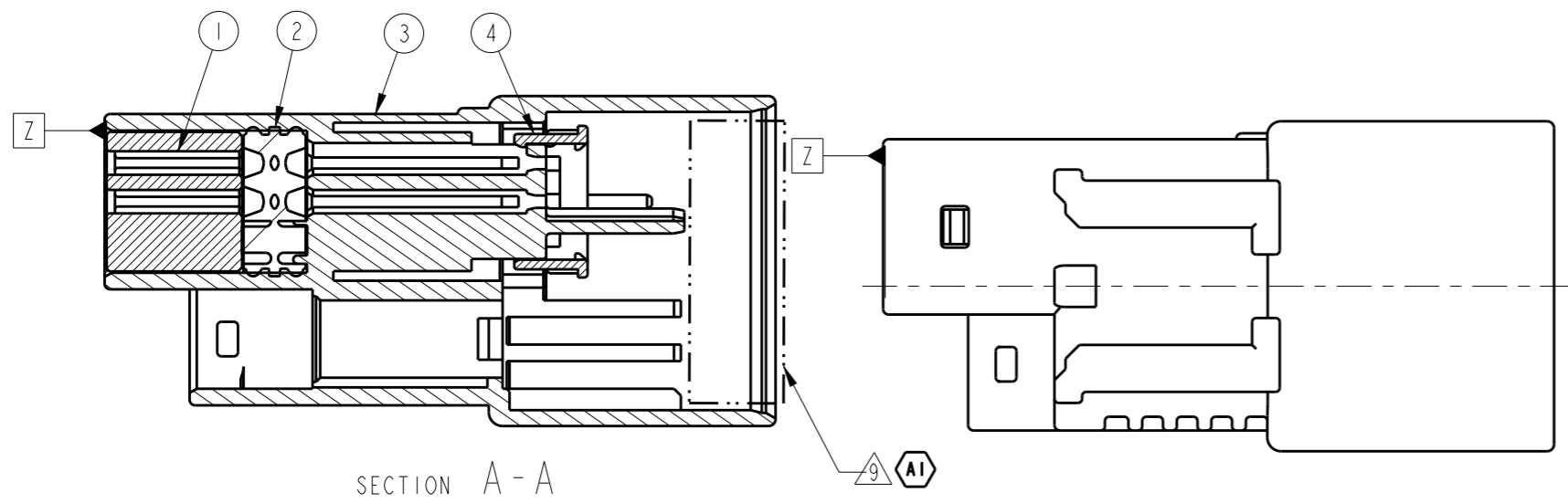
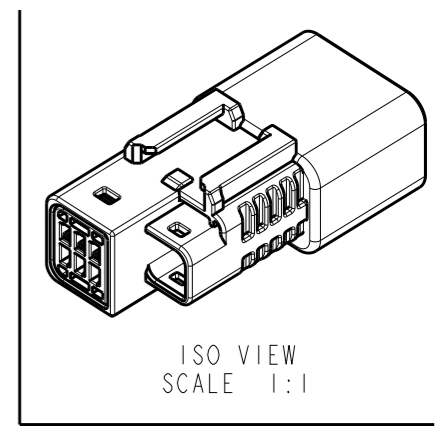
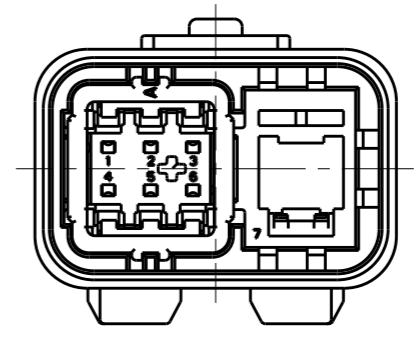
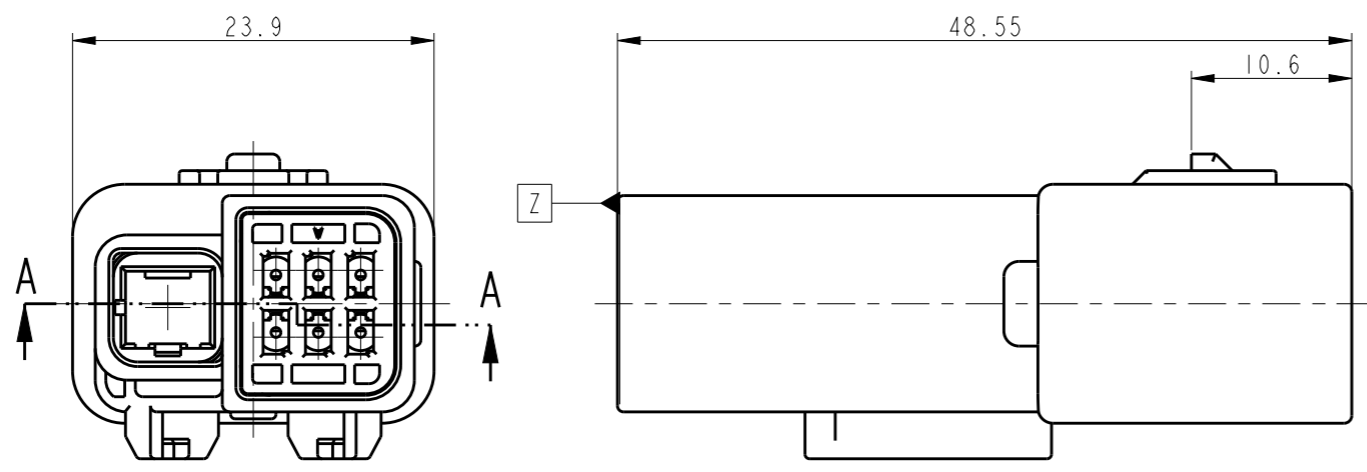


THIS DRAWING IS UNPUBLISHED. RELEASED FOR PUBLICATION 20
 © COPYRIGHT 20 BY - ALL RIGHTS RESERVED.

REVISIONS					
P	LTR	DESCRIPTION	DATE	DWN	APVD
B		REVISED (ECR - 19 -010871)	11, JUL '19	SM	GM



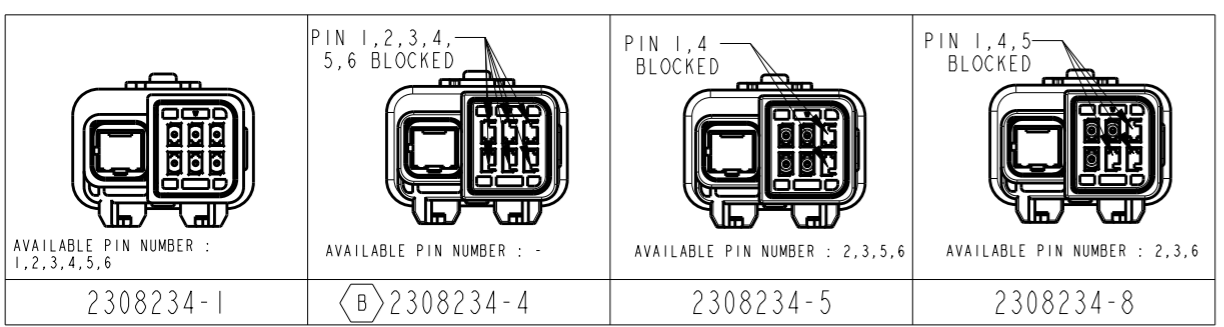
NOTE ;

1. GENERAL TOLERANCE : $\pm 0.3, \pm 3.0^\circ$
2. APPLICABLE TAB CONTACT : SEE TABLE 1.
3. APPLICABLE PLUG ASS'Y P/N : 2308253
4. APPLICABLE RF WIRE SEAL ASS'Y P/N : 2310387-3
5. APPLICABLE RF WIRE SEAL BLOCK ASS'Y P/N : 1-2310387-3
6. DBL SUPPLY CONDITION : 1'ST LOCKING.
7. APPLICABLE COAXIAL CABLE : 1.5DS-CV, 1.5D-EXHV-AS
8. APPLICABLE CLIP
 - 1) PANEL THICKNESS 0.7 ~ 2.0mm : 2-1897255-2
 - 2) PANEL THICKNESS 1.2 ~ 2.5mm : 2321463-2
9. APPLY LUBRICANT OIL BY MANUAL IN THE INDICATED AREA.
- LUBRICANT OIL : DOWCORNING DC550

NO	P/N	DESCRIPTION
1	2308234-X	NO LUBRICANT OIL APPLIED
2	1-2308234-X	LUBRICANT OIL APPLIED

TABLE 1. APPLICABLE TAB CONTACT.

CONTACT	PART NO.	WIRE RANGE (mm ²) / DESCRIPTION	INSULATION DIA. (mm) (FLR)
025	1924968-7	0.22	1.1~1.2
	1924968-8	0.30	1.3~1.4
7 RF	1897799-2	TAB CONTACT	
	2-1897798-3	TAB SHIELD	
	1897797-3	TAB DIELECTRIC	



NO	COLOR	MATERIAL	DESCRIPTION	Q'TY
4	GRAY	PA66-GF30	FRONT RETAINER	1
3	BLACK	PA66-GF30	CAP HSG	1
2	ORANGE	SILICON	FAMILY SEAL	1
1	BLUE	PA66-GF30	REAR RETAINER	1
	YELLOW			1
	BROWN			1
	NATURAL			1

THIS DRAWING IS A CONTROLLED DOCUMENT.		DWN SM RYU CHK GC KWON APVD GC KWON PRODUCT SPEC - APPLICATION SPEC - WEIGHT -		TE Connectivity NAME 025/RF SEALED 7P CAP ASS'Y SIZE A3 CAGE CODE 00779 DRAWING NO C-2308234	
DIMENSIONS: mm	TOLERANCES UNLESS OTHERWISE SPECIFIED	MATERIAL - FINISH - CUSTOMER DRAWING		SCALE	SHEET OF REV B

NO	P/N	DESCRIPTION
2308234-1	025/RF SEALED 7P CAP ASS'Y	
2308234-4	025/RF SEALED 6P CAP ASS'Y	
2308234-5	025/RF SEALED 5P CAP ASS'Y	
2308234-8	025/RF SEALED 4P CAP ASS'Y	