

THIS DRAWING IS UNPUBLISHED.

RELEASED FOR PUBLICATION

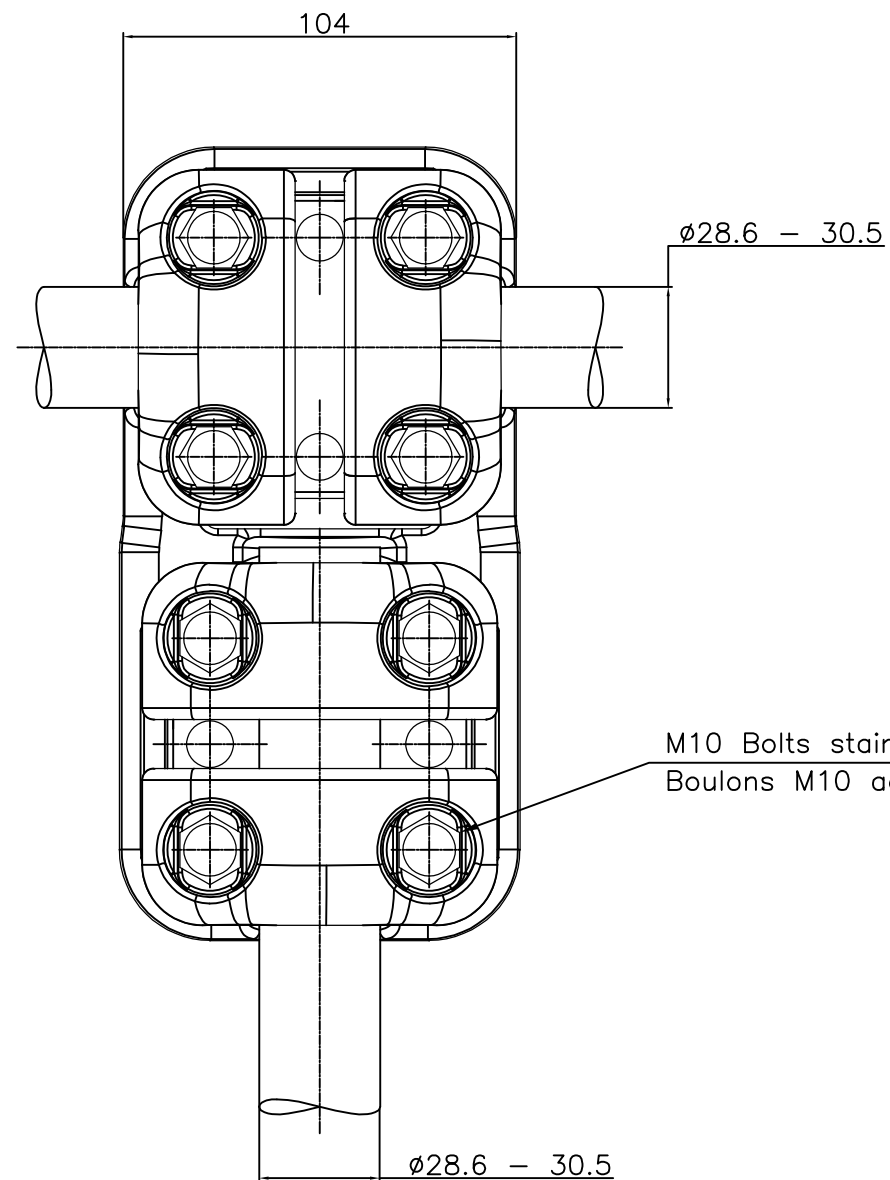
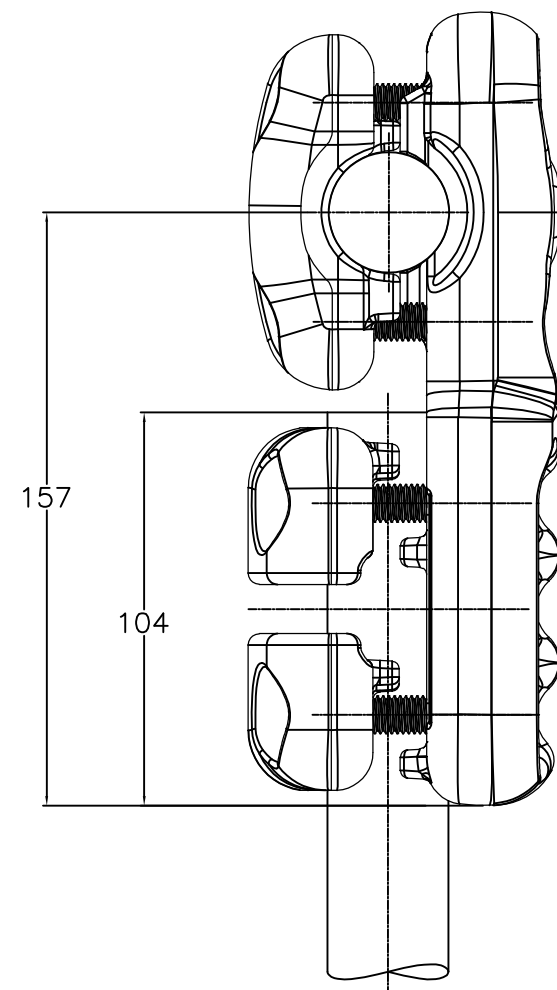
- . - .

REVISIONS

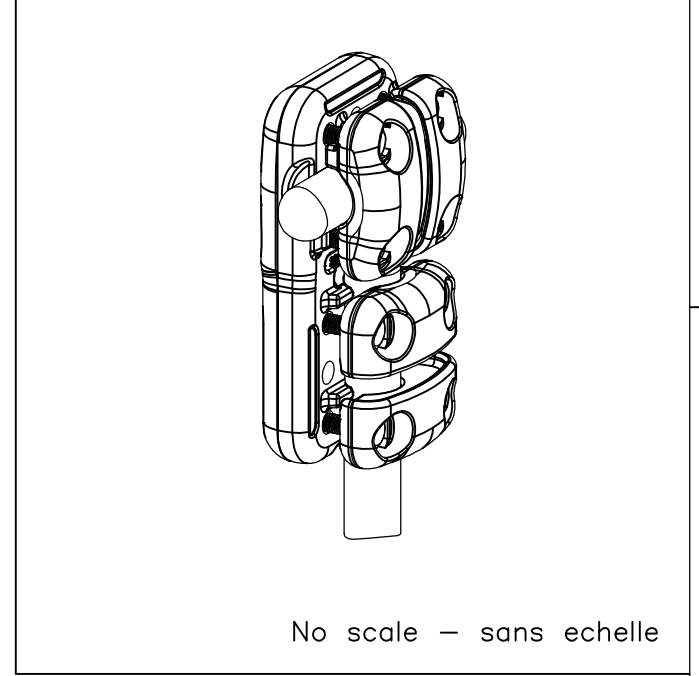
© COPYRIGHT - By -

ALL RIGHTS RESERVED.

P	LTR	DESCRIPTION	DATE	DWN	APVD
	A	CREATION	09-Feb-17	PG	-



M10 Bolts stainless steel A2: 37Nm
 Boulons M10 acier inoxydable A2: 37Nm



No scale - sans echelle

ITEM:.....

THIS DRAWING IS A CONTROLLED DOCUMENT.		DWN GARNIER P.	09-Feb-17	STE TE Connectivity	
DIMENSIONS: mm		CHK	-		
TOLERANCES UNLESS OTHERWISE SPECIFIED:		APVD	-	NAME Tee connector Connecteur en T 5 CT 82 M305	
0 PLC ± -		PRODUCT SPEC	108-69096-001	SIZE	
1 PLC ± -		APPLICATION SPEC	-	CAGE CODE	DRAWING NO
2 PLC ± -				A3	00779
3 PLC ± -				C=2307962	
4 PLC ± -				RESTRICTED TO	
ANGLES ± -				-	
FINISH		APPROX.WEIGHT	2.1 kg	SCALE	1/2
-		CUSTOMER DRAWING		SHEET	1 OF 1
				REV	A