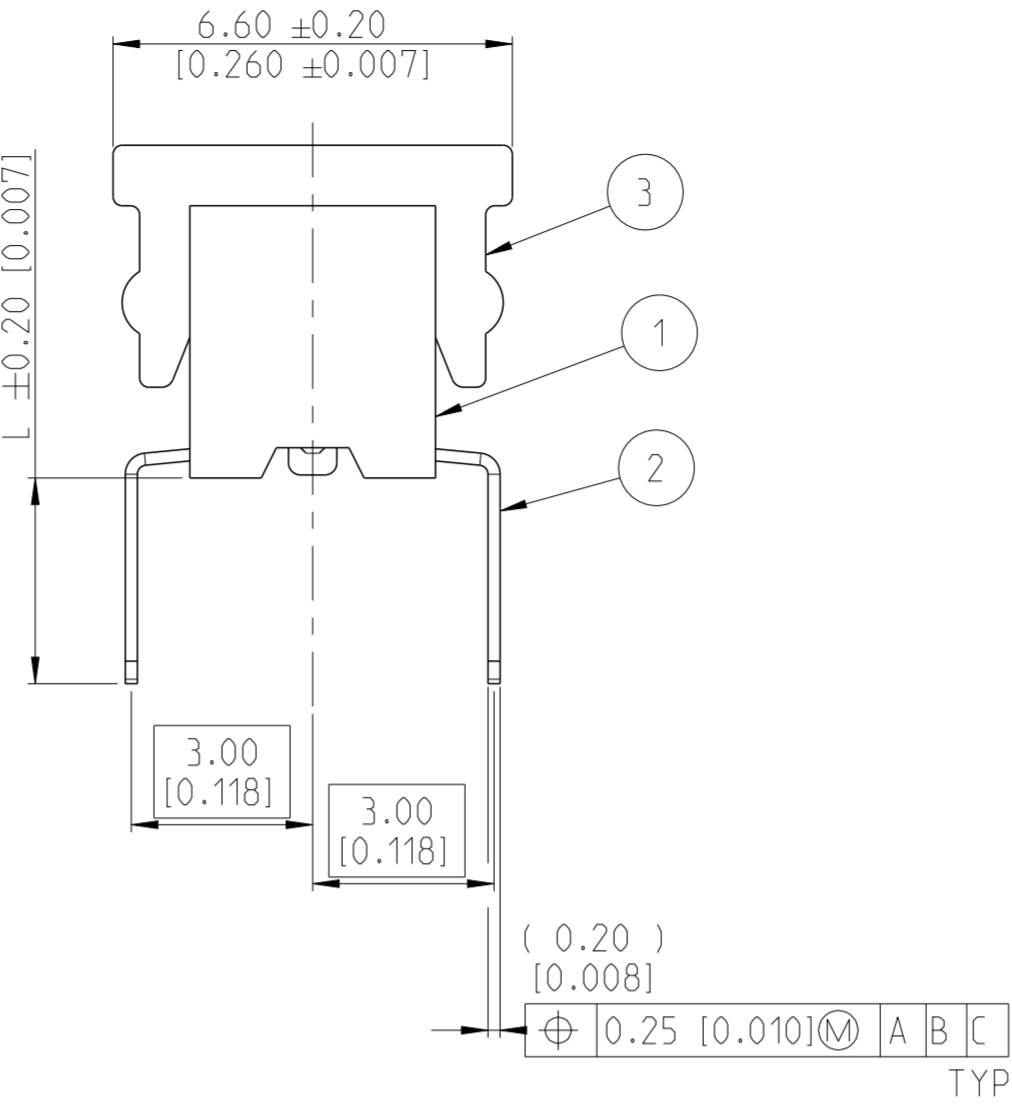
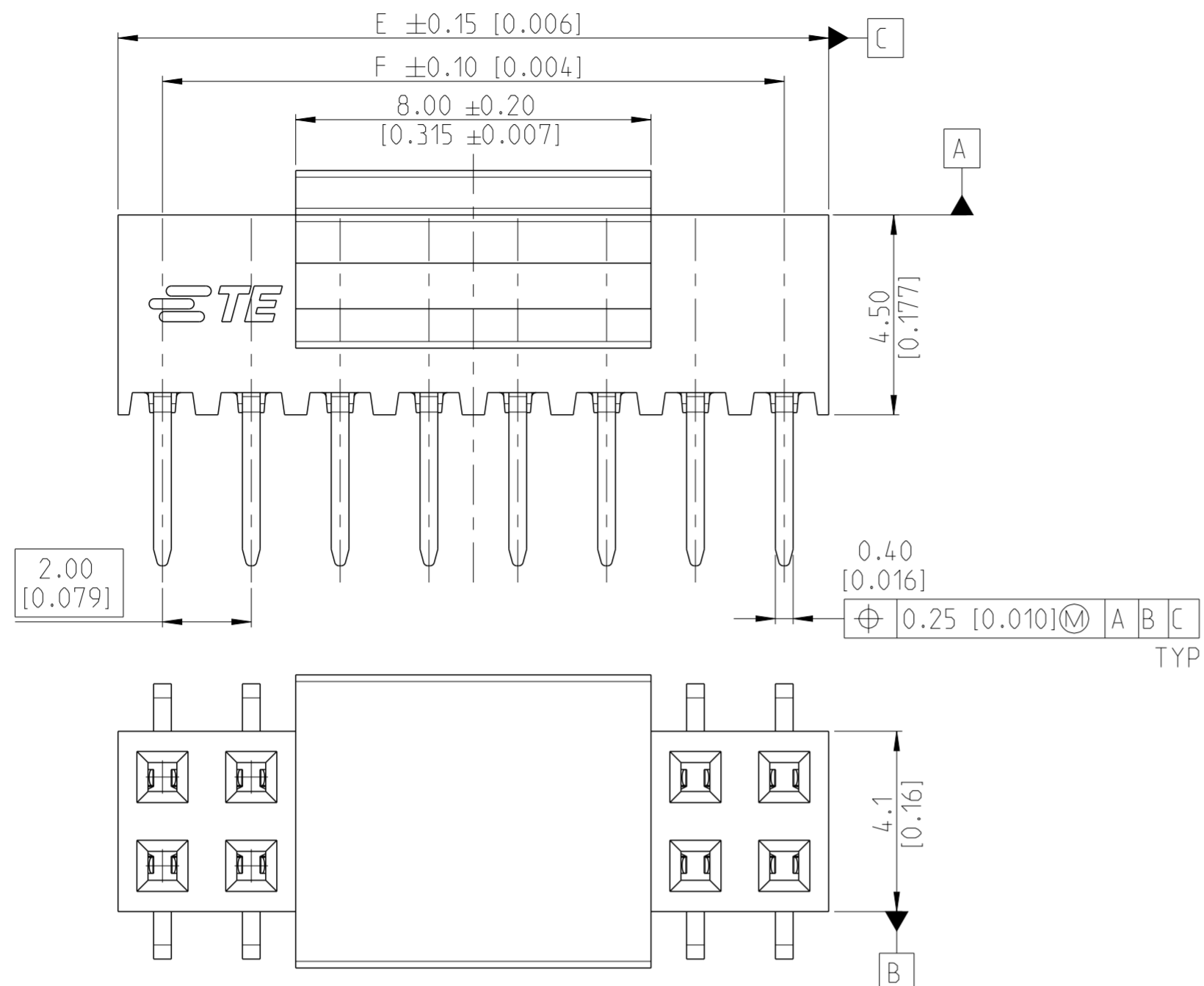
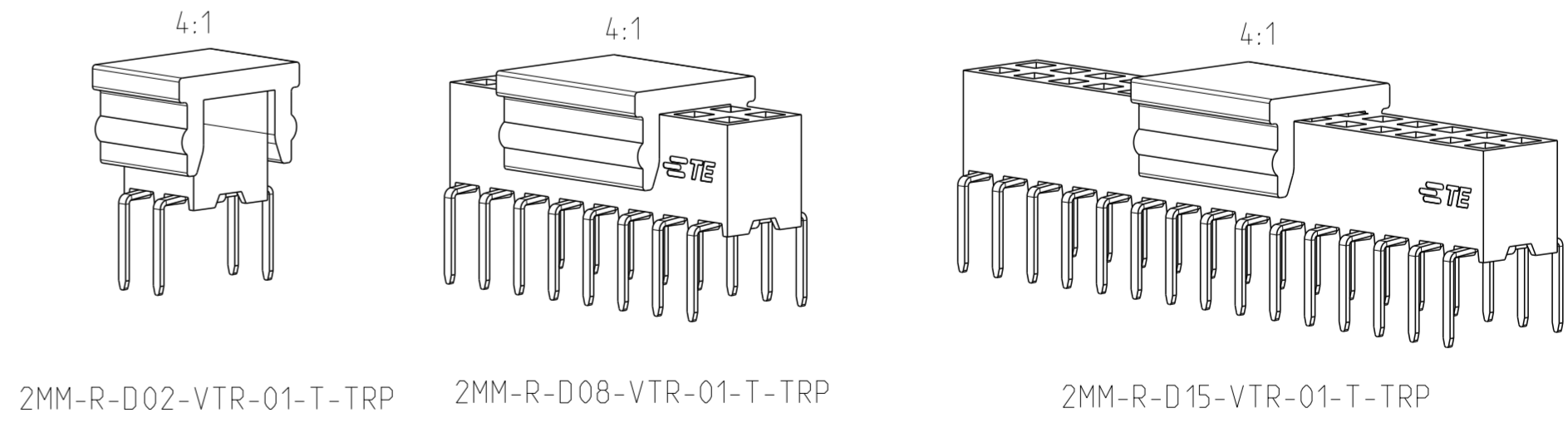
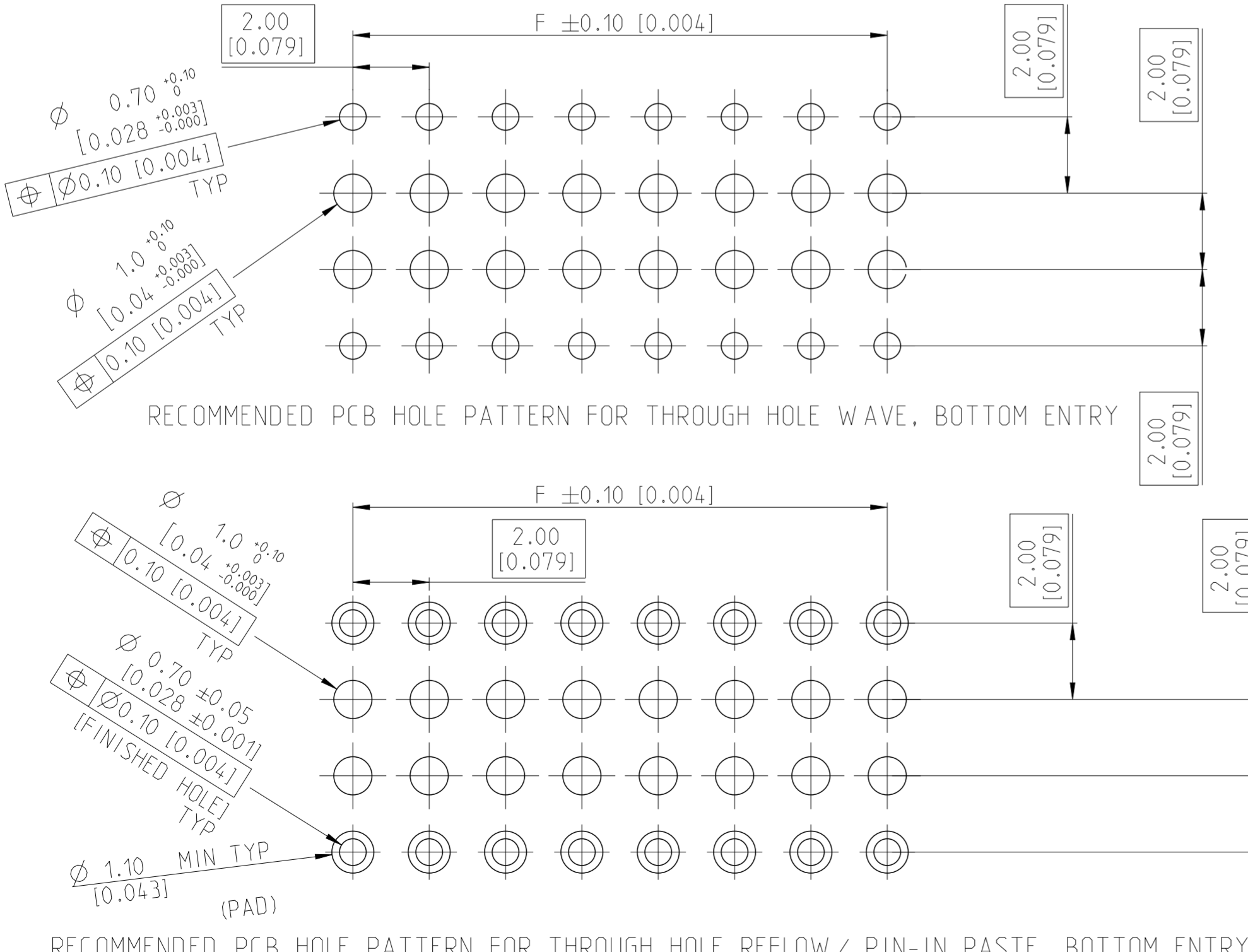


REVISIONS					
P	LTR	DESCRIPTION	DATE	DWN	APVD
	A	RELEASE GOLD PLATED VERSIONS TO PRODUCTION	04SEP2019	AY	PS
	A1	RELEASE TIN PLATED VERSIONS TO PRODUCTION	14APR2020	AY	PS
	A2	SMART PN DETAILS ADDED	19APR2022	SCB	PS



- NOTES:
- 1 MATERIAL:
HOUSING AND P&P CAP: LCP, UL94 V0, BLACK
CONTACT: PHOSPHOR BRONZE, 0.20mm THICK,
 - 2 ALL OVER 3-5µm TIN OVER MIN 1.27µm NICKEL UNDERPLATE
 - 3 CONTACT AREA: MIN 0.1µm GOLD
SOLDER TAIL: 3-5µm TIN
UNDERPLATING: MIN 1.27µm NICKEL ALL OVER
 - 4 CONTACT AREA: MIN 0.38µm GOLD
SOLDER TAIL: 3-5µm TIN
UNDERPLATING: MIN 1.27µm NICKEL ALL OVER
 - 5 CONTACT AREA: MIN 0.76µm GOLD
SOLDER TAIL: 3-5µm TIN
UNDERPLATING: MIN 1.27µm NICKEL ALL OVER
 - 6 N = NO. OF POSITIONS PER CONNECTOR.

P&P CAP	3
CONTACT	2
HOUSING	1
DESCRIPTION	ITEM



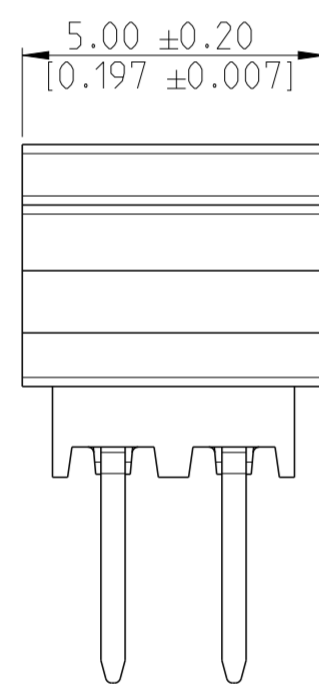
THIS DRAWING IS A CONTROLLED DOCUMENT.		DWN 21NOV2017 SOURAV DAS	TE Connectivity	
DIMENSIONS: mm [inch]		CHK 07DEC2018 SHARATH S		
TOLERANCES UNLESS OTHERWISE SPECIFIED:		APVD 07DEC2018 PRASHANTH S	NAME AMPMODU 2mm BtB RECEPTACLE DUAL ROW, VERTICAL, DUAL ENTRY, OUTRIGGER, TH/THR	
0 PLC ±		PRODUCT SPEC 108-64040	SIZE A2	
1 PLC ±0.2		APPLICATION SPEC 114-32186	CAGE CODE 00779	DRAWING NO C-2307820
2 PLC ±0.1 [0.008]		WEIGHT -	RESTRICTED TO -	
3 PLC ± [0.004]		CUSTOMER DRAWING	SCALE 5:1	SHEET 1 OF 3
4 PLC ±		REV A2		
ANGLES ±2°				
FINISH SEE NOTES				

REVISIONS

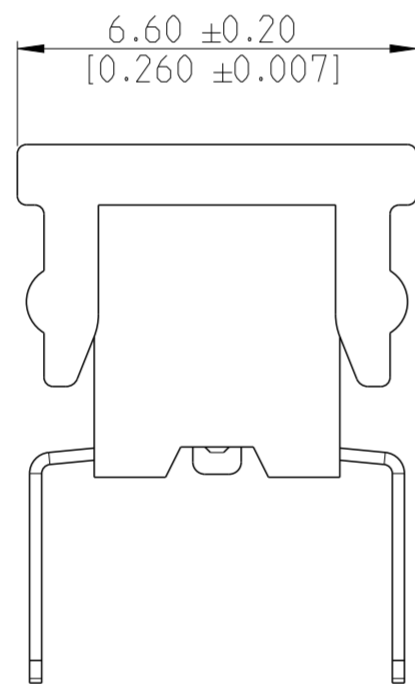
P	LTR	DESCRIPTION	DATE	DWN	APVD
-	-	SEE SHEET 1	-	-	-

MATING SIDE PLATING (FINISH)	"L" SOLDER TAIL LENGTH	BTB RECEPTACLE BASE NUMBERS		
		TAPE & REEL PKG W/ CAP	TUBE PKG W/ CAP	TUBE PKG W/O CAP
TIN 2	2.3[0.090]	2MM-R-D__-VTR-01-T-TRP	2MM-R-D__-VTR-01-T-TBP	A/R
	2.8[0.110]	2MM-R-D__-VTR-02-T-TRP	2MM-R-D__-VTR-02-T-TBP	2MM-R-D__-VTR-02-T-TB
	3.4[0.134]	A/R	A/R	2MM-R-D__-VTR-03-T-TB
GOLD FLASH 0.1 μm 3	2.3[0.090]	2MM-R-D__-VTR-01-F-TRP	2MM-R-D__-VTR-01-F-TBP	A/R
	2.8[0.110]	2MM-R-D__-VTR-02-F-TRP	2MM-R-D__-VTR-02-F-TBP	2MM-R-D__-VTR-02-F-TB
	3.4[0.134]	A/R	A/R	2MM-R-D__-VTR-03-F-TB
GOLD 0.38 μm 4	2.3[0.090]	2MM-R-D__-VTR-01-M-TRP	2MM-R-D__-VTR-01-M-TBP	A/R
	2.8[0.110]	2MM-R-D__-VTR-02-M-TRP	2MM-R-D__-VTR-02-M-TBP	2MM-R-D__-VTR-02-M-TB
	3.4[0.134]	A/R	A/R	2MM-R-D__-VTR-03-M-TB
GOLD 0.76 μm 5	2.3[0.090]	2MM-R-D__-VTR-01-H-TRP	2MM-R-D__-VTR-01-H-TBP	A/R
	2.8[0.110]	2MM-R-D__-VTR-02-H-TRP	2MM-R-D__-VTR-02-H-TBP	2MM-R-D__-VTR-02-H-TB
	3.4[0.134]	A/R	A/R	2MM-R-D__-VTR-03-H-TB

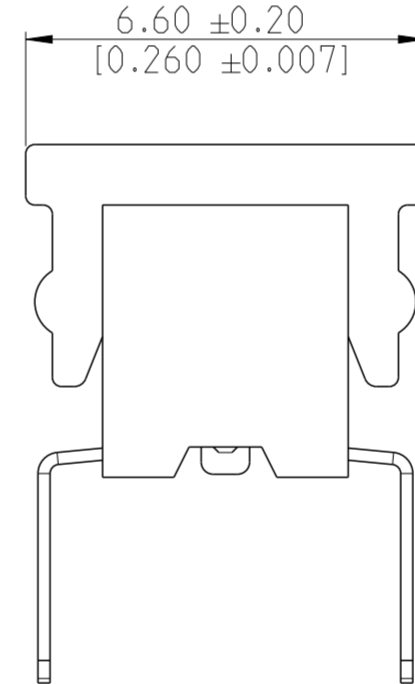
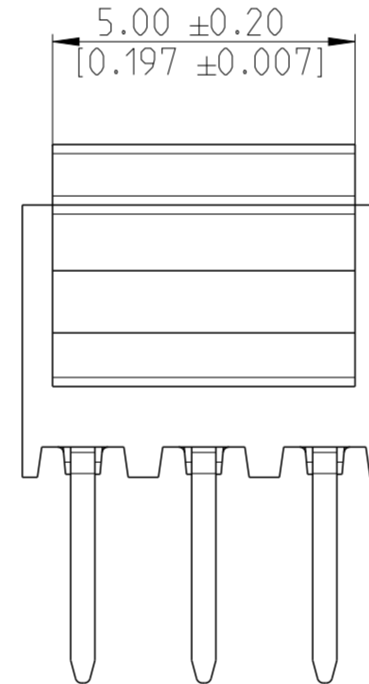
* A/R- AVAILABLE ON REQUEST



2MM-R-D02-VTR-03-H-TB



2MM-R-D03-VTR-03-H-TB



48	50	50	2MM-R-D25-VTR-01-T-TRP
46	48	48	2MM-R-D24-VTR-01-T-TRP
44	46	46	2MM-R-D23-VTR-01-T-TRP
42	44	44	2MM-R-D22-VTR-01-T-TRP
40	42	42	2MM-R-D21-VTR-01-T-TRP
38	40	40	2MM-R-D20-VTR-01-T-TRP
36	38	38	2MM-R-D19-VTR-01-T-TRP
34	36	36	2MM-R-D18-VTR-01-T-TRP
32	34	34	2MM-R-D17-VTR-01-T-TRP
30	32	32	2MM-R-D16-VTR-01-T-TRP
28	30	30	2MM-R-D15-VTR-01-T-TRP
26	28	28	2MM-R-D14-VTR-01-T-TRP
24	26	26	2MM-R-D13-VTR-01-T-TRP
22	24	24	2MM-R-D12-VTR-01-T-TRP
20	22	22	2MM-R-D11-VTR-01-T-TRP
18	20	20	2MM-R-D10-VTR-01-T-TRP
16	18	18	2MM-R-D09-VTR-01-T-TRP
14	16	16	2MM-R-D08-VTR-01-T-TRP
12	14	14	2MM-R-D07-VTR-01-T-TRP
10	12	12	2MM-R-D06-VTR-01-T-TRP
8	10	10	2MM-R-D05-VTR-01-T-TRP
6	8	8	2MM-R-D04-VTR-01-T-TRP
4	6	6	2MM-R-D03-VTR-01-T-TRP
2	4	4	2MM-R-D02-VTR-01-T-TRP
DIM "F"	DIM "E"	N	SMART PN

THIS DRAWING IS A CONTROLLED DOCUMENT.

DWN: SOURAV DAS 21NOV2017
CHK: SHARATH S 07DEC2018
APVD: PRASHANTH S 07DEC2018

STE TE Connectivity

NAME: AMPMODU 2mm BtB RECEPTACLE DUAL ROW, VERTICAL, DUAL ENTRY, OUTRIGGER, TH/THR

PRODUCT SPEC: 108-64040
APPLICATION SPEC: 114-32186

SIZE: A2 CAGE CODE: 100779 DRAWING NO: C-2307820 RESTRICTED TO: -

MATERIAL: SEE NOTES FINISH: SEE NOTES WEIGHT: -

CUSTOMER DRAWING SCALE: 10:1 SHEET: 2 OF 3 REV: A2

REVISIONS					
P	LTR	DESCRIPTION	DATE	DWN	APVD
-	-	SEE SHEET 1	-	-	-

SMART PART NUMBER
 2MM - R - D__ - VTR - __ - - - -

PRODUCT SERIES
 2MM AMPMODU 2mm SERIES

GENDER / TYPE
 R RECEPTACLE

NUMBER OF ROWS
 D DOUBLE ROW

NUMBER OF PINS PER ROW
 XX 02 THROUGH 25
 (ENTER TWO DIGITS)

PACKAGING

TB	TUBE WITHOUT CAP
TRP	TAPE AND REELING WITH CAP
TBP	TUBE WITH CAP

PLATING

T	TIN
F	GOLD FLASH
M	15 μm GOLD
H	30 μm GOLD


TAIL LENGTH

01	2.3 mm
02	2.8 mm
03	3.4 mm

ORIENTATION & TERMINATION
 VTR VERTICAL THROUGH HOLE OUTRIGGER

SMART PN EXAMPLES:

- 2MM-R-D02-VTR-01-T-TRP :
 AMPMODU 2mm, RECEPTACLE, DOUBLE ROW, 02 POSITION PER ROW, VERTICAL THROUGH HOLE OUTRIGGER, 2.3 mm TAIL LENGTH, TIN PLATED, TAPE AND REEL WITH CAP PACKAGING
- 2MM-R-D25-VTR-03-H-TB :
 AMPMODU 2mm, RECEPTACLE, DOUBLE ROW, 25 POSITION PER ROW, VERTICAL THROUGH HOLE OUTRIGGER, 3.4 mm TAIL LENGTH, 30 μm GOLD PLATED, TUBE WITHOUT CAP PACKAGING

THIS DRAWING IS A CONTROLLED DOCUMENT.		DWN SOURAV DAS 21NOV2017	 TE Connectivity	
		CHK SHARATH S 07DEC2018		
DIMENSIONS: mm [inch]		APVD PRASHANTH S 07DEC2018	NAME AMPMODU 2mm BtB RECEPTACLE DUAL ROW, VERTICAL, DUAL ENTRY, OUTRIGGER, TH/THR	
TOLERANCES UNLESS OTHERWISE SPECIFIED: 0 PLC ± 1 PLC ±0.2 2 PLC ±0.1 [0.008] 3 PLC ± [0.004] 4 PLC ± ANGLES ±2°		PRODUCT SPEC 108-64040	RESTRICTED TO	
MATERIAL SEE NOTES		APPLICATION SPEC 114-32186	SIZE A2	CAGE CODE 00779
FINISH SEE NOTES		WEIGHT -	DRAWING NO C-2307820	SCALE 5:1
		CUSTOMER DRAWING	SHEET 3 OF 3	REV A2