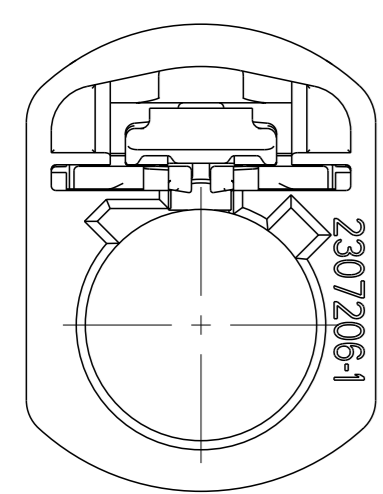
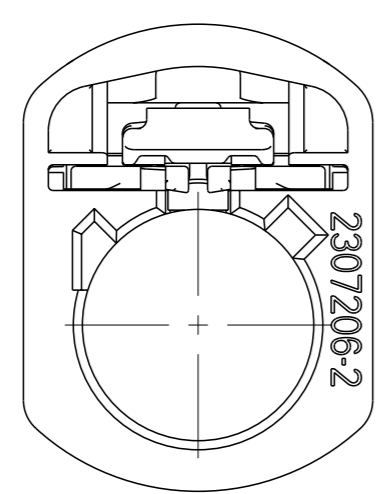


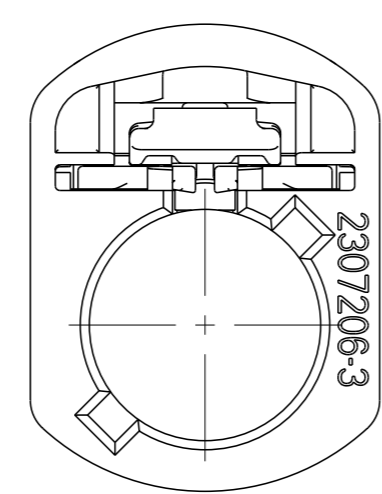
REVISIONS				
P	LT#	DESCRIPTION	DATE	APVD
A		RELEASE PER ECO-19-003803	13MAR2019	JAB NLE
A1		REVISED PER ECN-23-197653	08FEB2023	SR AP



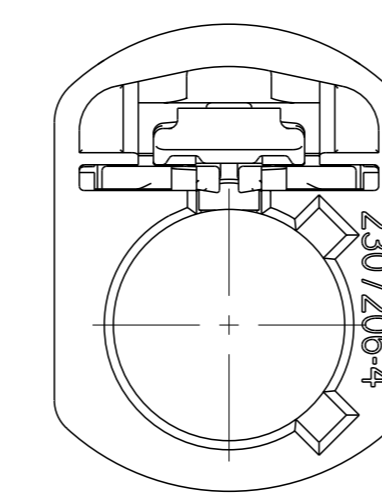
KEY CODE A  
SCALE 4:1



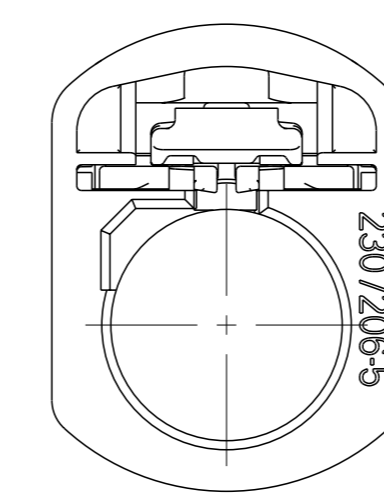
KEY CODE B  
SCALE 4:1



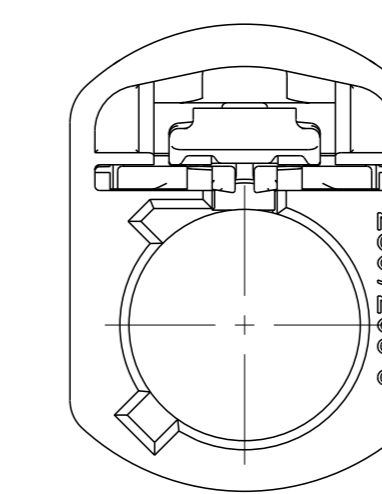
KEY CODE C  
SCALE 4:1



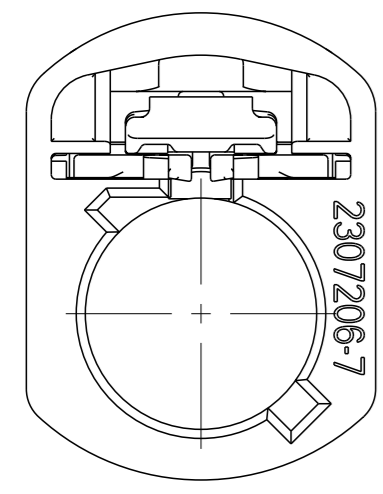
KEY CODE D  
SCALE 4:1



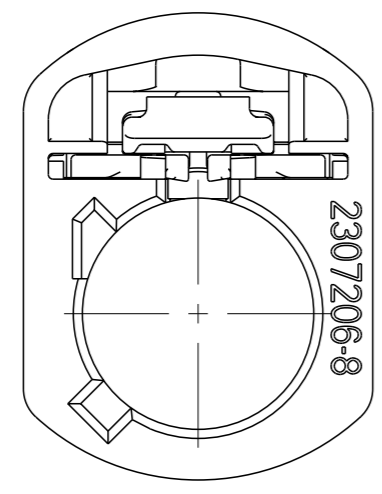
KEY CODE E  
SCALE 4:1



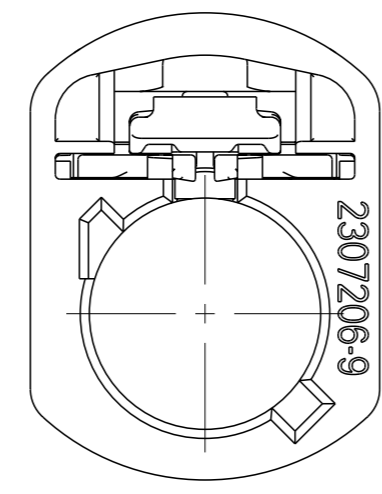
KEY CODE F  
SCALE 4:1



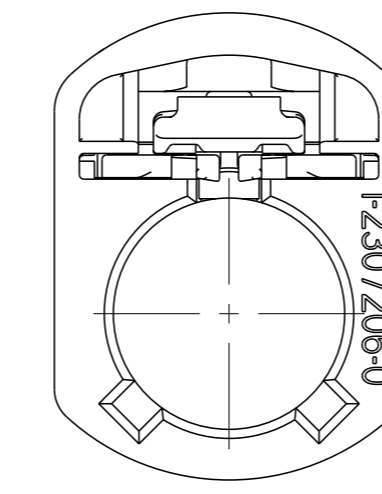
KEY CODE G  
SCALE 4:1



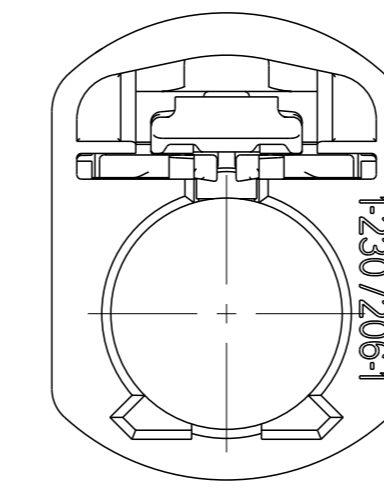
KEY CODE H  
SCALE 4:1



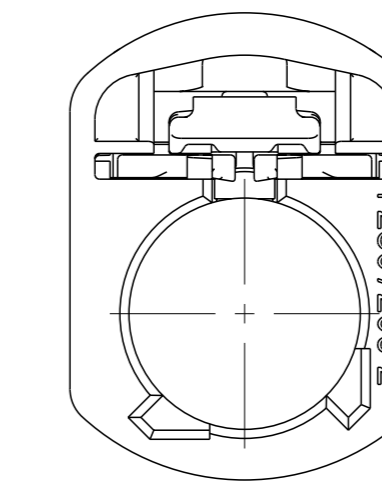
KEY CODE I  
SCALE 4:1



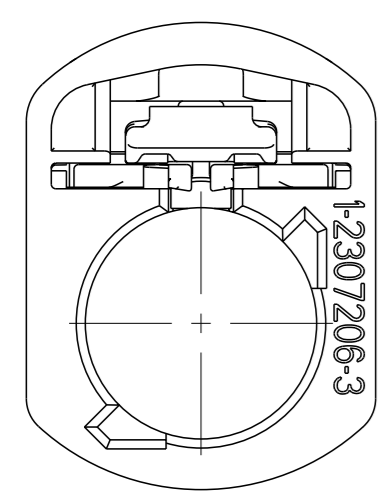
KEY CODE K  
SCALE 4:1



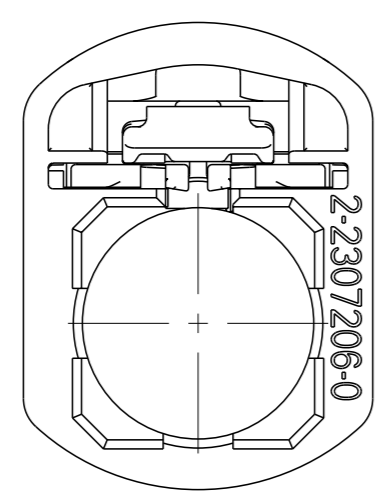
KEY CODE L  
SCALE 4:1



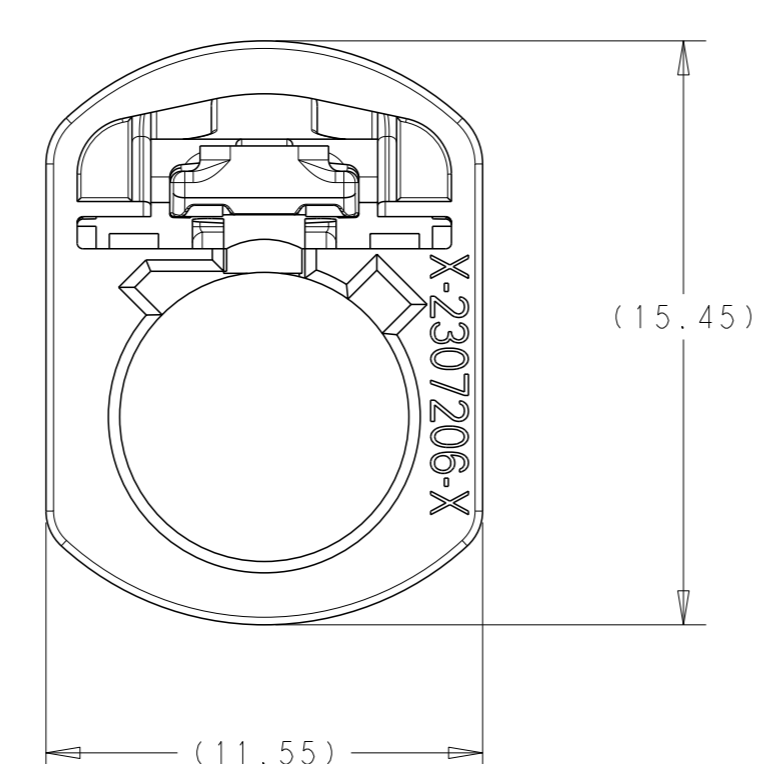
KEY CODE M  
SCALE 4:1



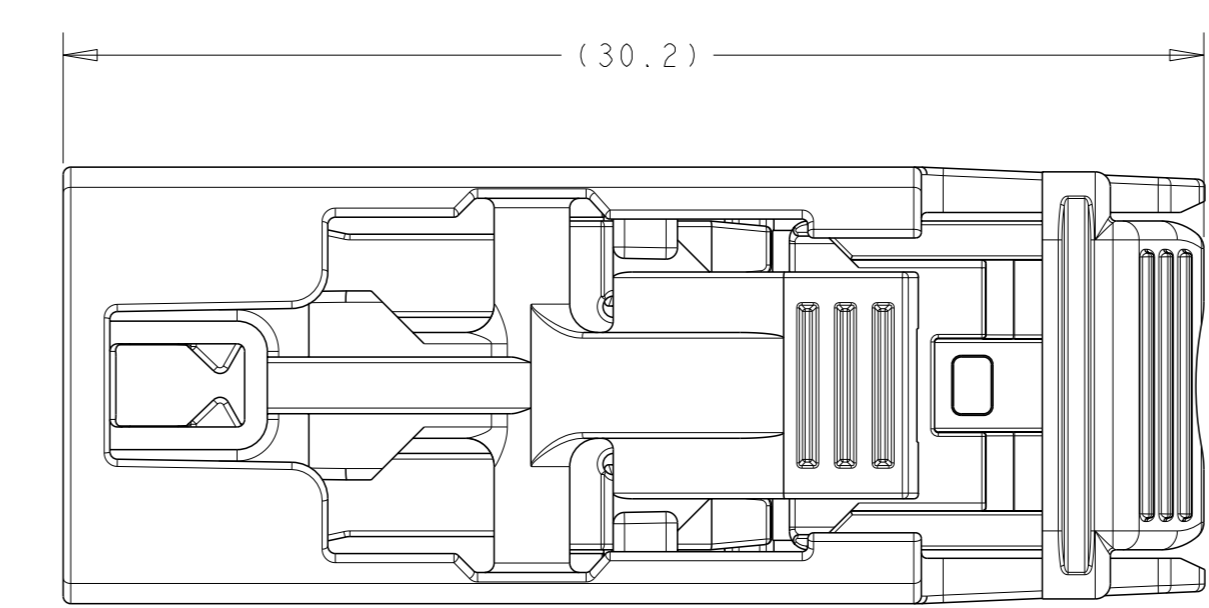
KEY CODE N  
SCALE 4:1



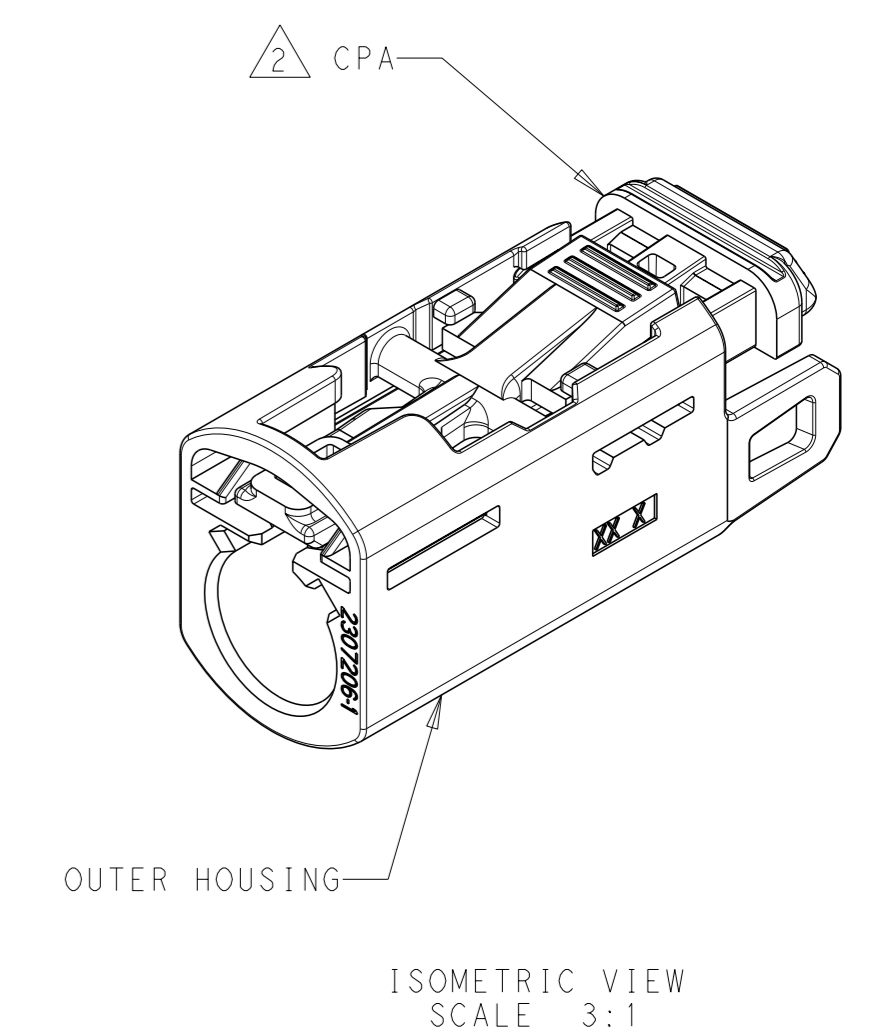
KEY CODE Z  
SCALE 4:1



SCALE 5:1



SCALE 5:1



ISOMETRIC VIEW  
SCALE 3:1

COLOR	KEY CODE	PART NUMBER
WATER BLUE	Z	2-2307383-0
PASTEL GREEN	N	1-2307383-3
PASTEL ORANGE	M	1-2307383-2
CARMINE RED	L	1-2307383-1
CURRY	K	1-2307383-0
BEIGE	I	2307383-9
HEATHER VIOLET	H	2307383-8
BLUE GREY	G	2307383-7
NUT BROWN	F	2307383-6
LEAF GREEN	E	2307383-5
CLARET VIOLET	D	2307383-4
SIGNAL BLUE	C	2307383-3
CREAM	B	2307383-2
JET BLACK	A	2307383-1

- 1 OUTER HOUSING: PBT, COLOR - SEE TABLE.  
CPA: PBT, RED.
- 2 CPA LOCATED IN THE PRE-LATCHED POSITION.

THIS DRAWING IS A CONTROLLED DOCUMENT. OWN: D. J. HARDY 31JAN2017  
 CHK: N. L. EVANS 02FEB2017  
 APVD: N. F. SCHROLL 02FEB2017

TE Connectivity

NAME: FEMALE HOUSING ASSEMBLY, 180 DEGREE, 1 POSITION, SEALED, AUTOMATED FAKRA

SIZE: 114-32145 CAGE CODE: 100779 DRAWING NO: 2307383

SCALE: 5:1 SHEET 1 OF 1 REV A1

Printed on 8 Feb 2023 09:34 (US Mountain Standard Time) from 15513069