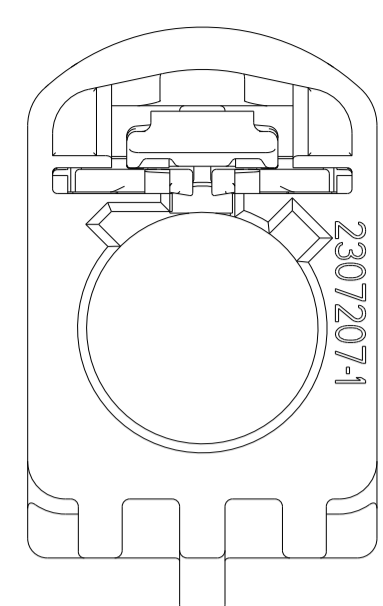
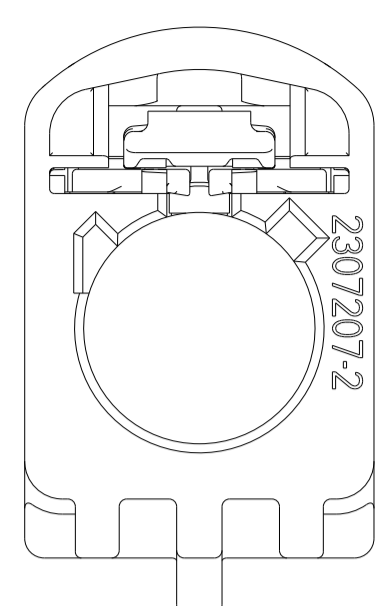


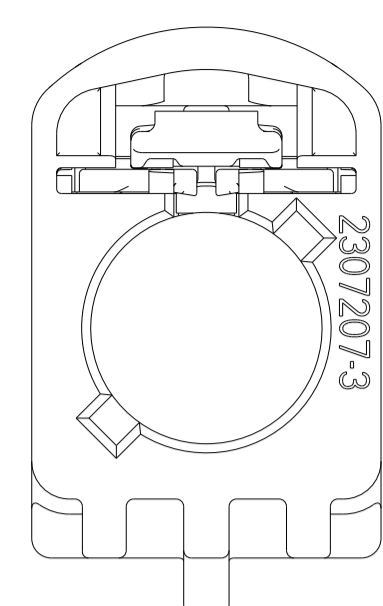
REVISIONS				
P	LTN	DESCRIPTION	DATE	APVD
A		RELEASE PER ECO-19-003803	12MAR2019	JAB NLE
A1		REVISED PER ECN-23-201433	24MAR2023	SR AP



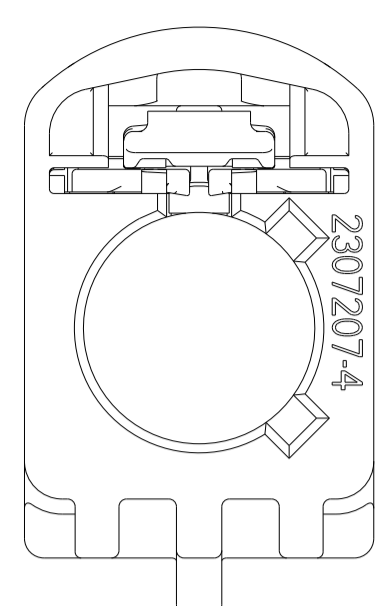
KEY CODE A
SCALE 4:1



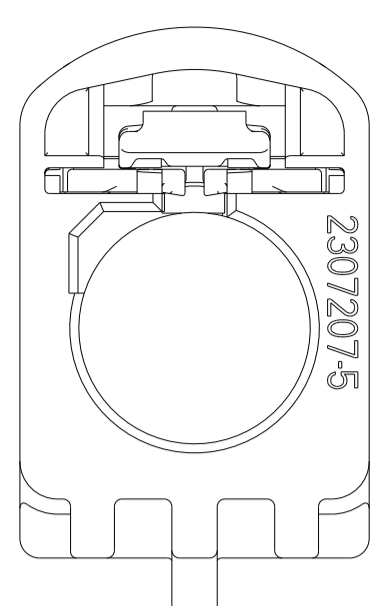
KEY CODE B
SCALE 4:1



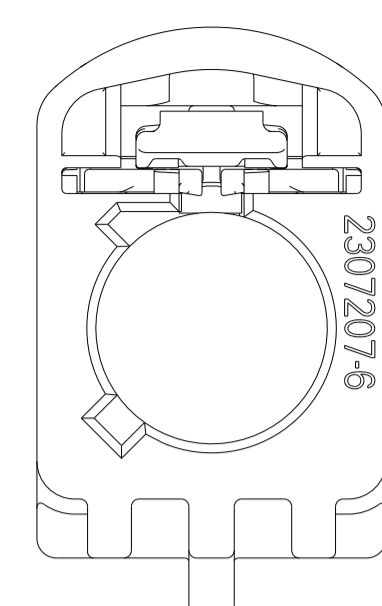
KEY CODE C
SCALE 4:1



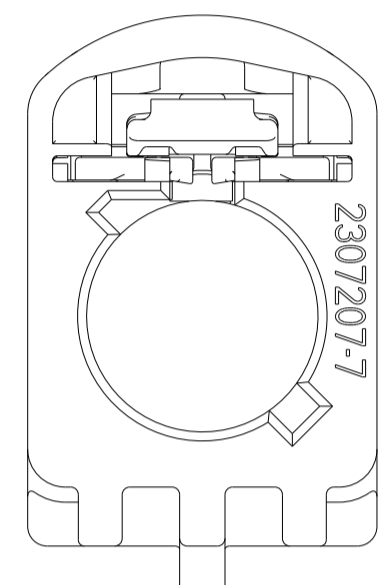
KEY CODE D
SCALE 4:1



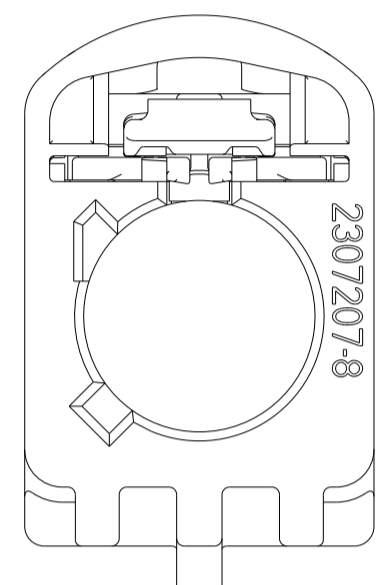
KEY CODE E
SCALE 4:1



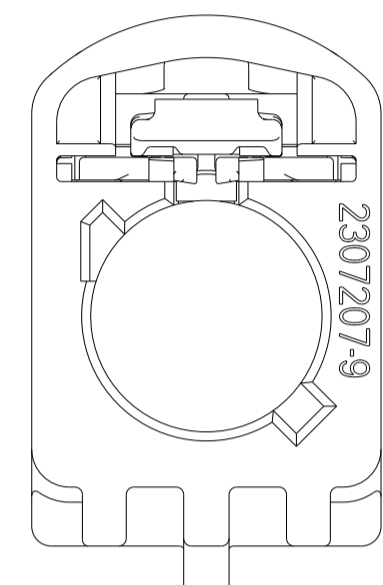
KEY CODE F
SCALE 4:1



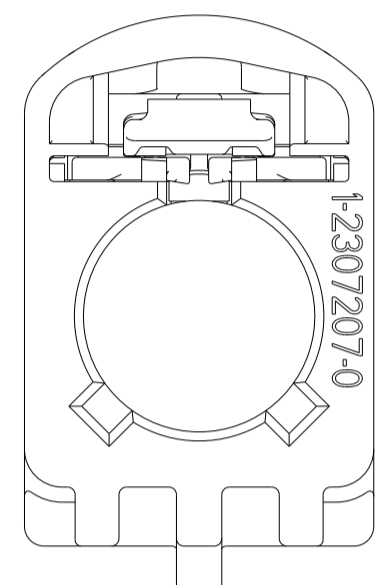
KEY CODE G
SCALE 4:1



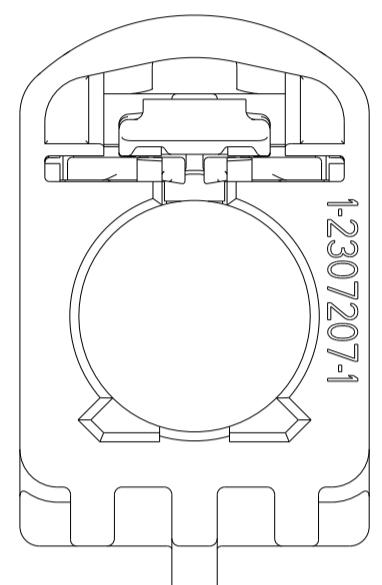
KEY CODE H
SCALE 4:1



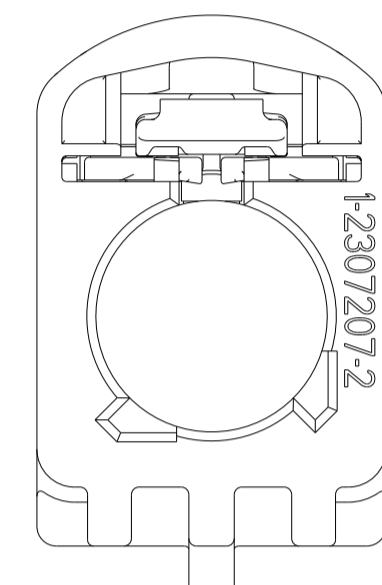
KEY CODE I
SCALE 4:1



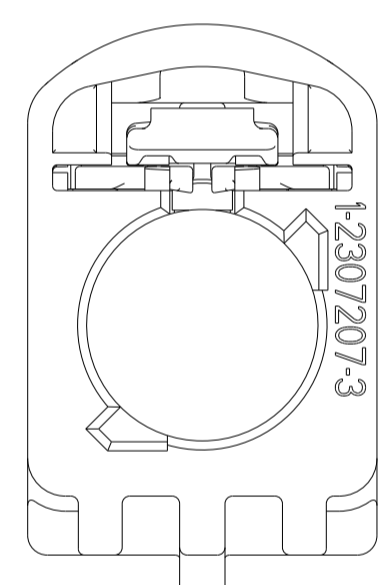
KEY CODE K
SCALE 4:1



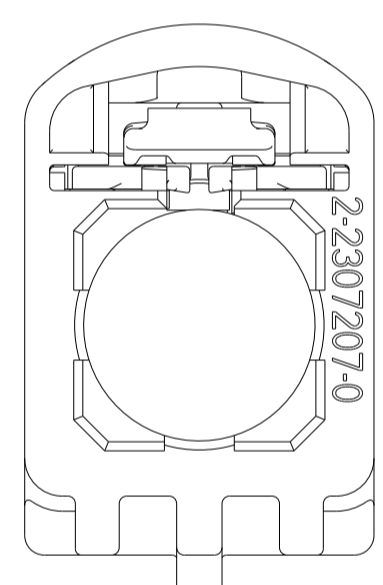
KEY CODE L
SCALE 4:1



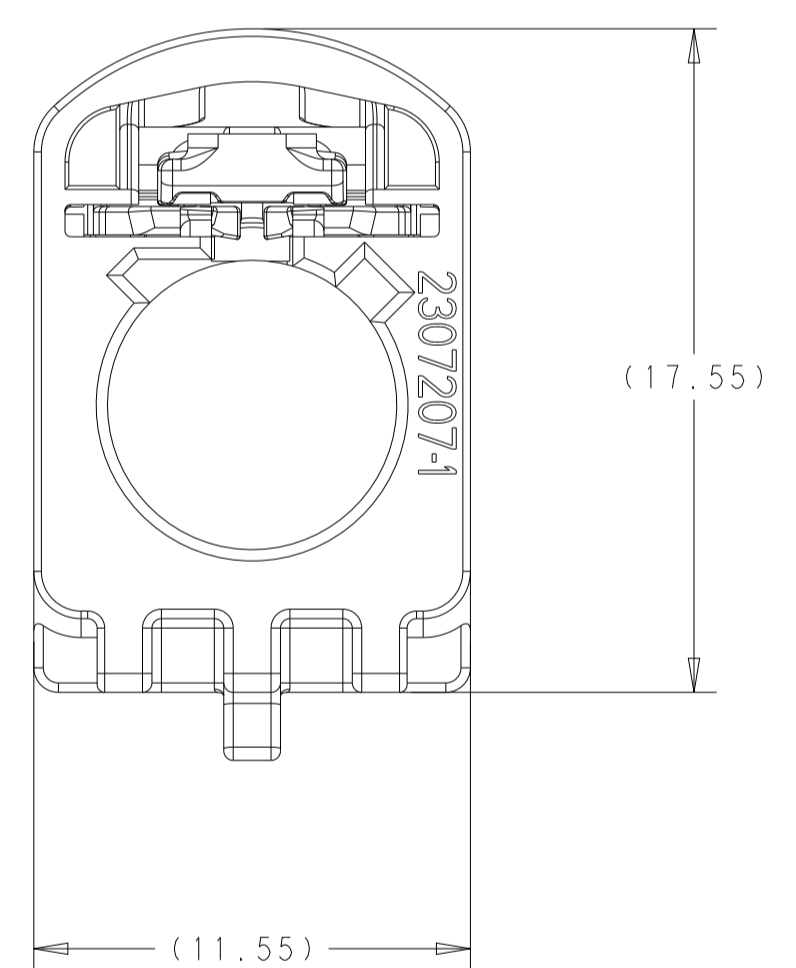
KEY CODE M
SCALE 4:1



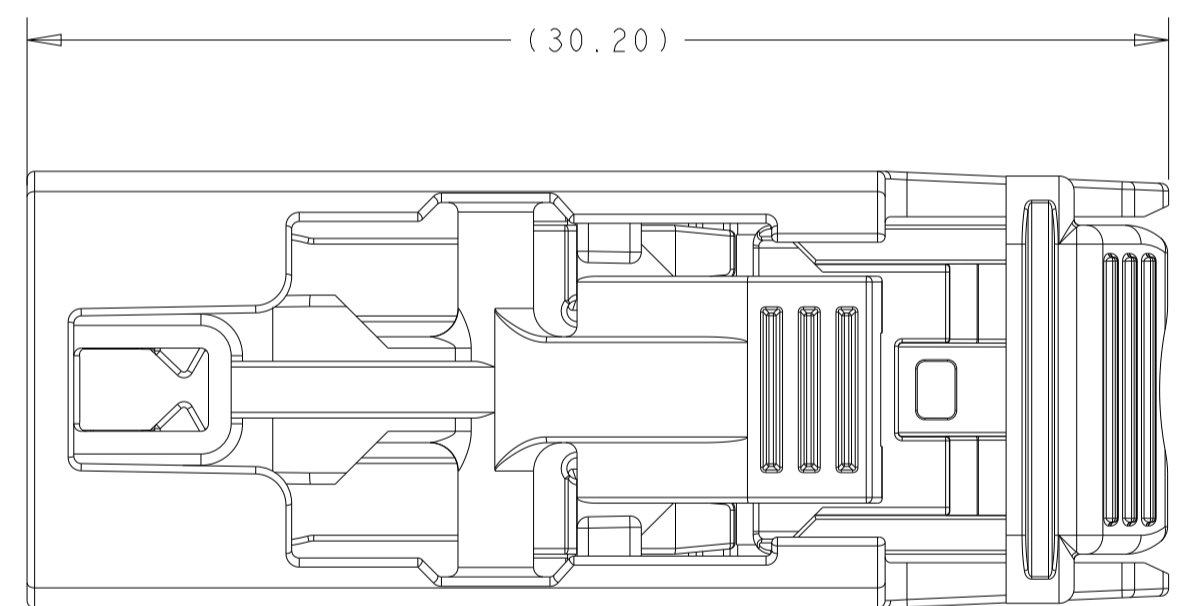
KEY CODE N
SCALE 4:1



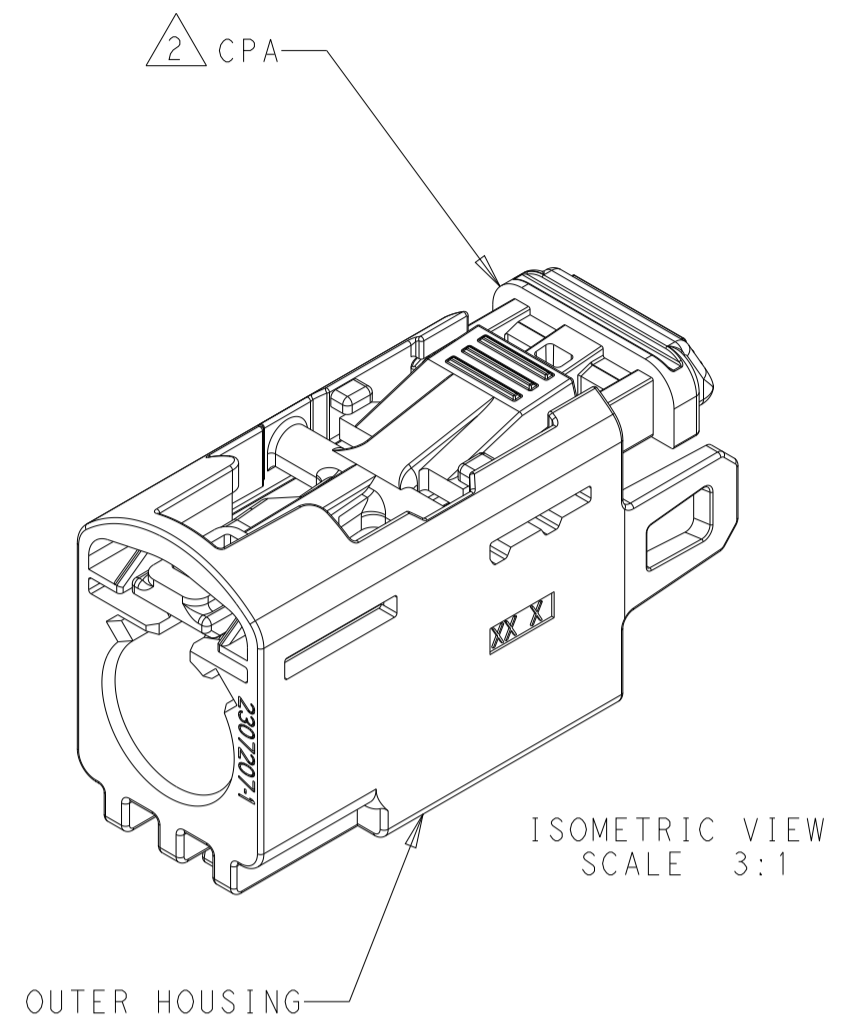
KEY CODE Z
SCALE 4:1



SCALE 5:1



SCALE 5:1



ISOMETRIC VIEW
SCALE 3:1

COLOR	KEY CODE	PART NUMBER
WATER BLUE	Z	2-2307361-0
PASTEL GREEN	N	1-2307361-3
PASTEL ORANGE	M	1-2307361-2
CARMINE RED	L	1-2307361-1
CURRY	K	1-2307361-0
BEIGE	I	2307361-9
HEATHER VIOLET	H	2307361-8
BLUE GREY	G	2307361-7
NUT BROWN	F	2307361-6
LEAF GREEN	E	2307361-5
CLARET VIOLET	D	2307361-4
SIGNAL BLUE	C	2307361-3
CREAM	B	2307361-2
JET BLACK	A	2307361-1
OUTER HOUSING		

- 1. OUTER HOUSING: PBT, COLOR - SEE TABLE.
CPA: PBT, RED.
- 2. CPA LOCATED IN THE PRE-LATCHED POSITION.
- 3. CLIP SLOT PER SAE/USCAR-18, EWCAP-005-7.

THIS DRAWING IS A CONTROLLED DOCUMENT.

DIMENSIONS:	TOLERANCES UNLESS OTHERWISE SPECIFIED:	OWN: D.J.HARDY 27JAN2017	CHK: N.L.EVANS 02FEB2017	APVD: N.E.SCHROLL 02FEB2017
mm	0 PLC ±	NAME: FEMALE HOUSING ASSEMBLY, 180 DEGREE, CLIP SLOT, 1 POSITION, SEALED, AUTOMATED FAKRA		
	1 PLC ±	SIZE: CAGE CODE DRAWING NO. RESTRICTED TO		
	2 PLC ±	A1 00779 C=2307361		
	3 PLC ±	SCALE 5:1 SHEET 1 OF 1 REV A1		
	4 PLC ±	CUSTOMER DRAWING		
MATERIAL:	FINISH:			