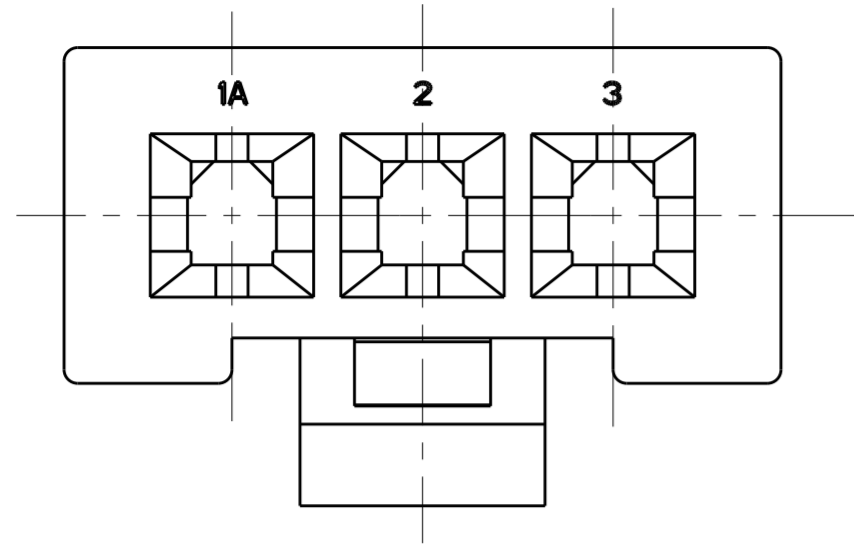
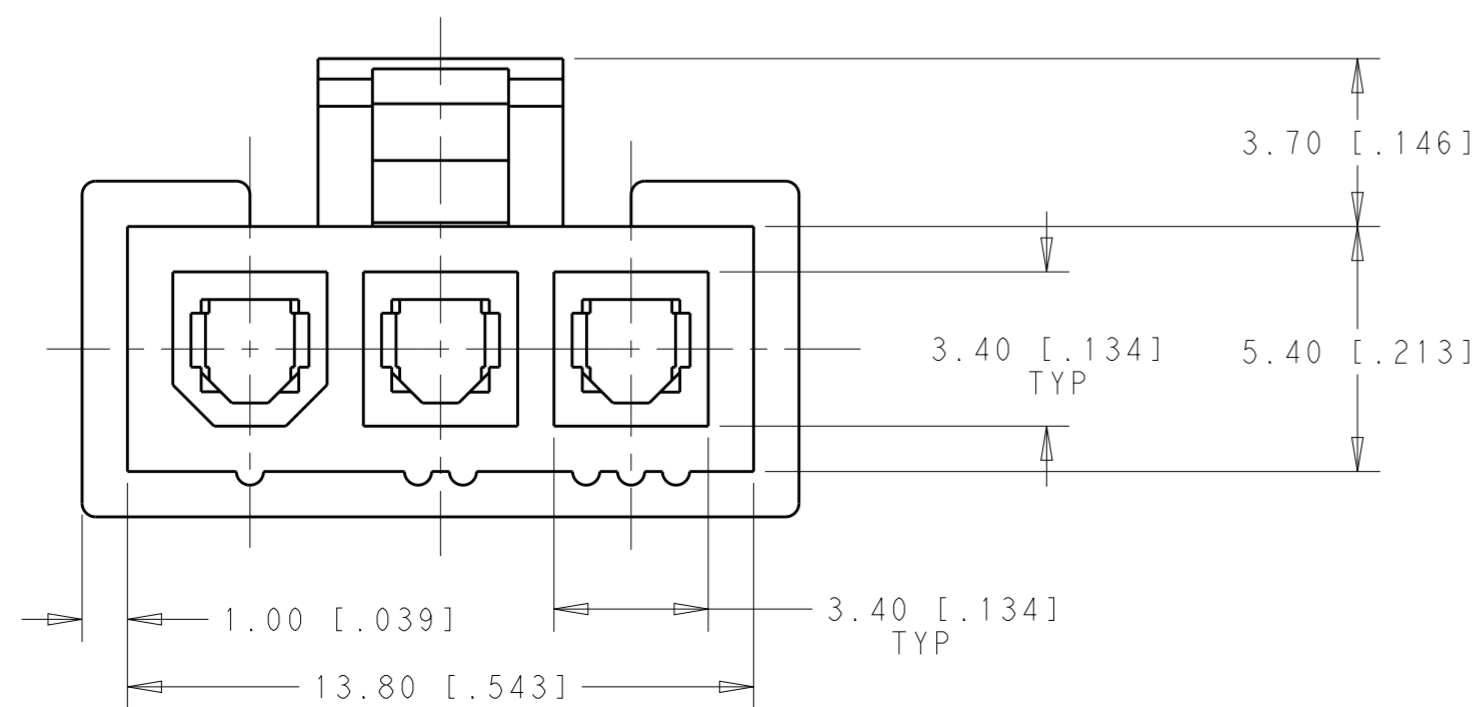
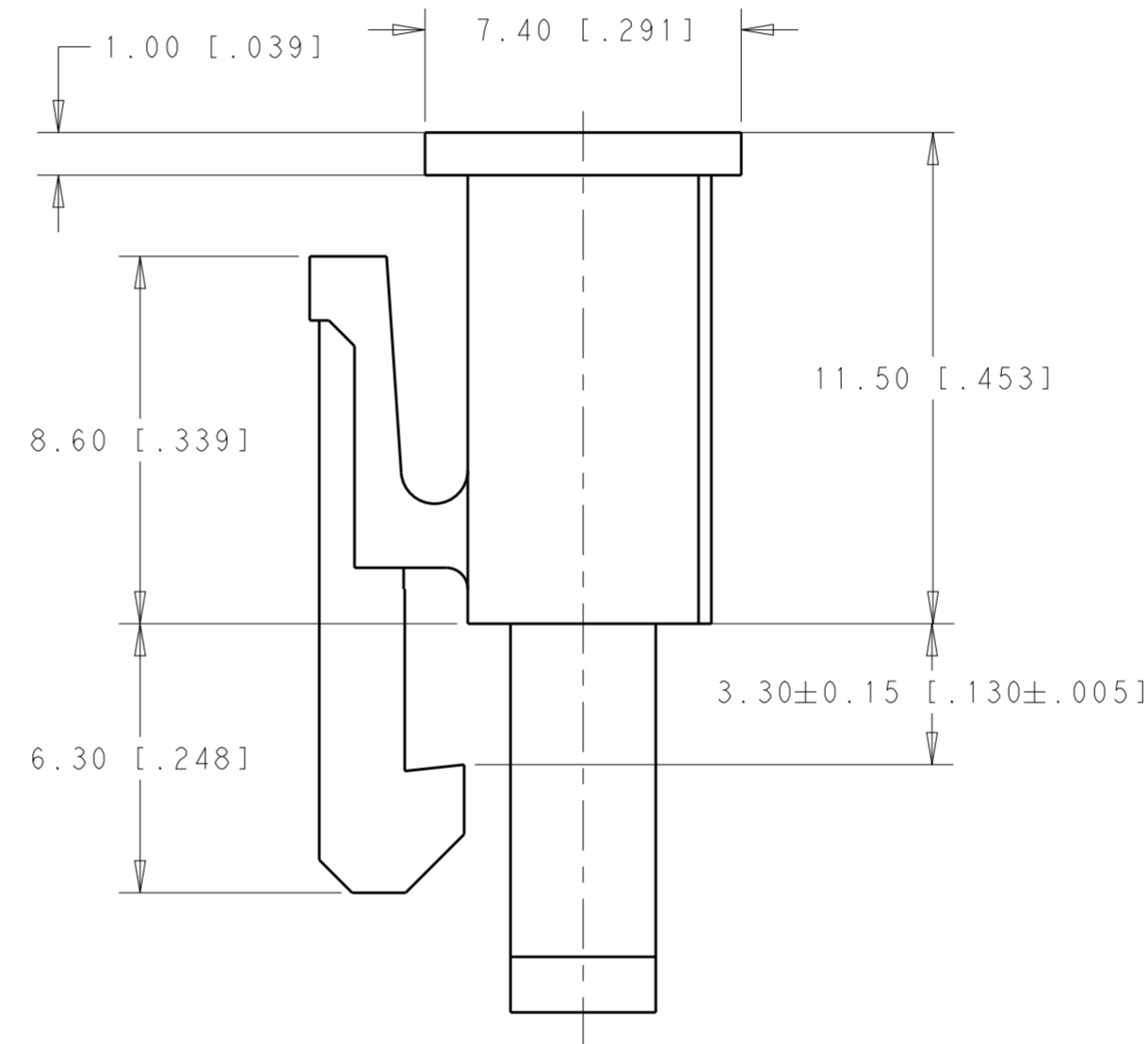
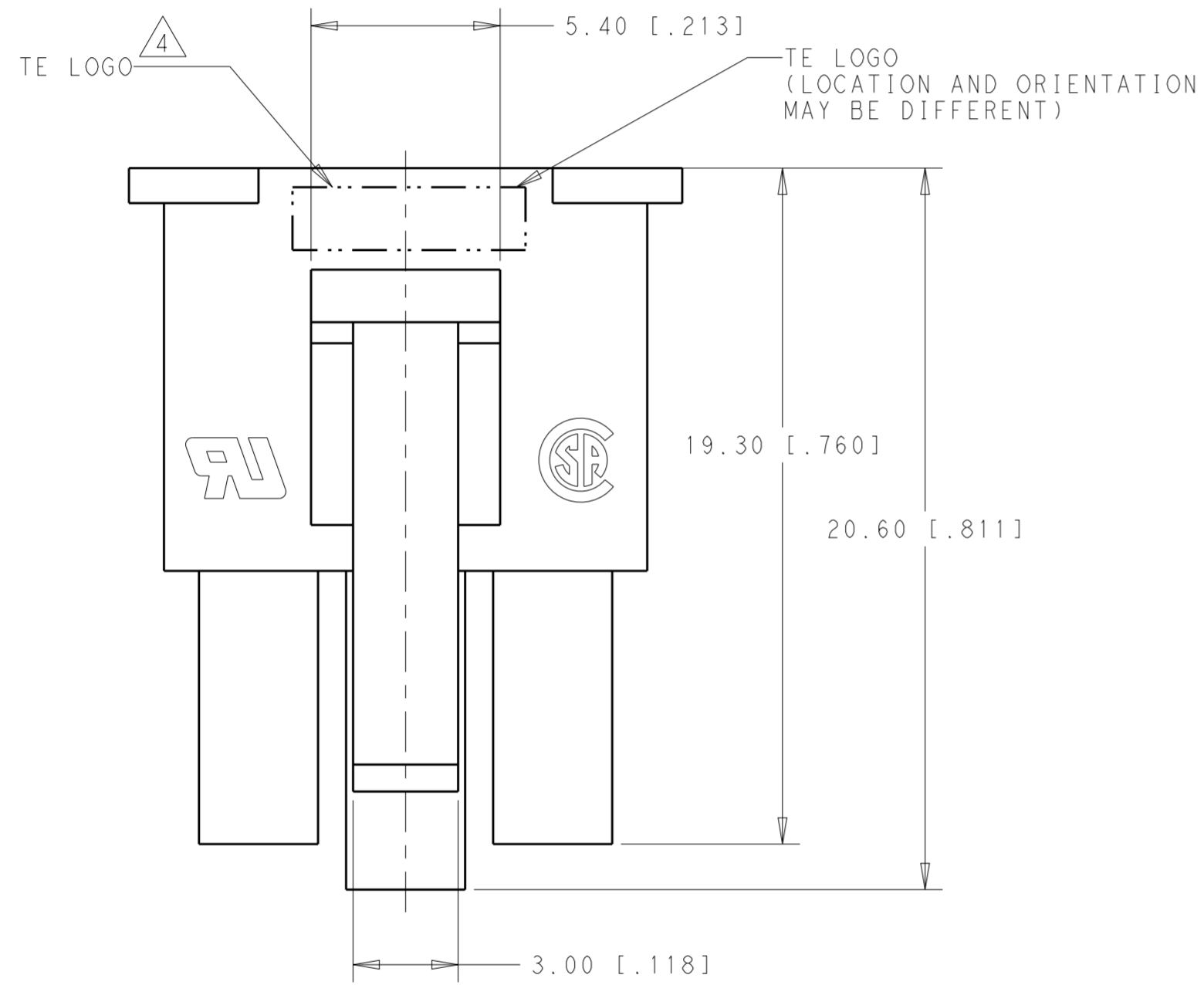


THIS DRAWING IS UNPUBLISHED. RELEASED FOR PUBLICATION 20  
 © COPYRIGHT 20 BY - ALL RIGHTS RESERVED.

REVISIONS				
P	LTR	DESCRIPTION	DATE	APVD
A		REVISED PER ECR-17-004343	05APR2017	JJ DZ



- 1 GLOW WIRE APPROVED, CONTACT TYCO ELECTRONICS ENGINEERING FOR SPECIFICATION.
- 2 MATING CONTACT: 2238019-1/2238017-1.
- 3 TPA APPLICABLE PARTS: 1969608-3/1969609-3.



2307186-3  
PART NUMBER

THIS DRAWING IS A CONTROLLED DOCUMENT.		DWN 10AUG2016 NAGALAKSHMI, K	TE Connectivity	
DIMENSIONS: mm [INCHES]		CHK 10AUG2016 CHIARELLI, DAVIDE		
TOLERANCES UNLESS OTHERWISE SPECIFIED:		APVD 10AUG2016 CHIARELLI, DAVIDE	NAME RECEPTACLE, 3 CIRCUIT, VAL-U-LOK(TM), TPA VERSION	
0 PLC ±		PRODUCT SPEC 108-2112	SIZE CAGE CODE DRAWING NO RESTRICTED TO	
1 PLC ±		APPLICATION SPEC 114-13172	A200779 C-2307186	
2 PLC ± 0.25 [010]		WEIGHT -	SCALE 6:1 SHEET 1 OF 1 REV A	
3 PLC ±		CUSTOMER DRAWING		
4 PLC ±				
ANGLES ±				
FINISH -				
UL94-V2 -				