

4

3

2

1

THIS DRAWING IS UNPUBLISHED.

RELEASED FOR PUBLICATION

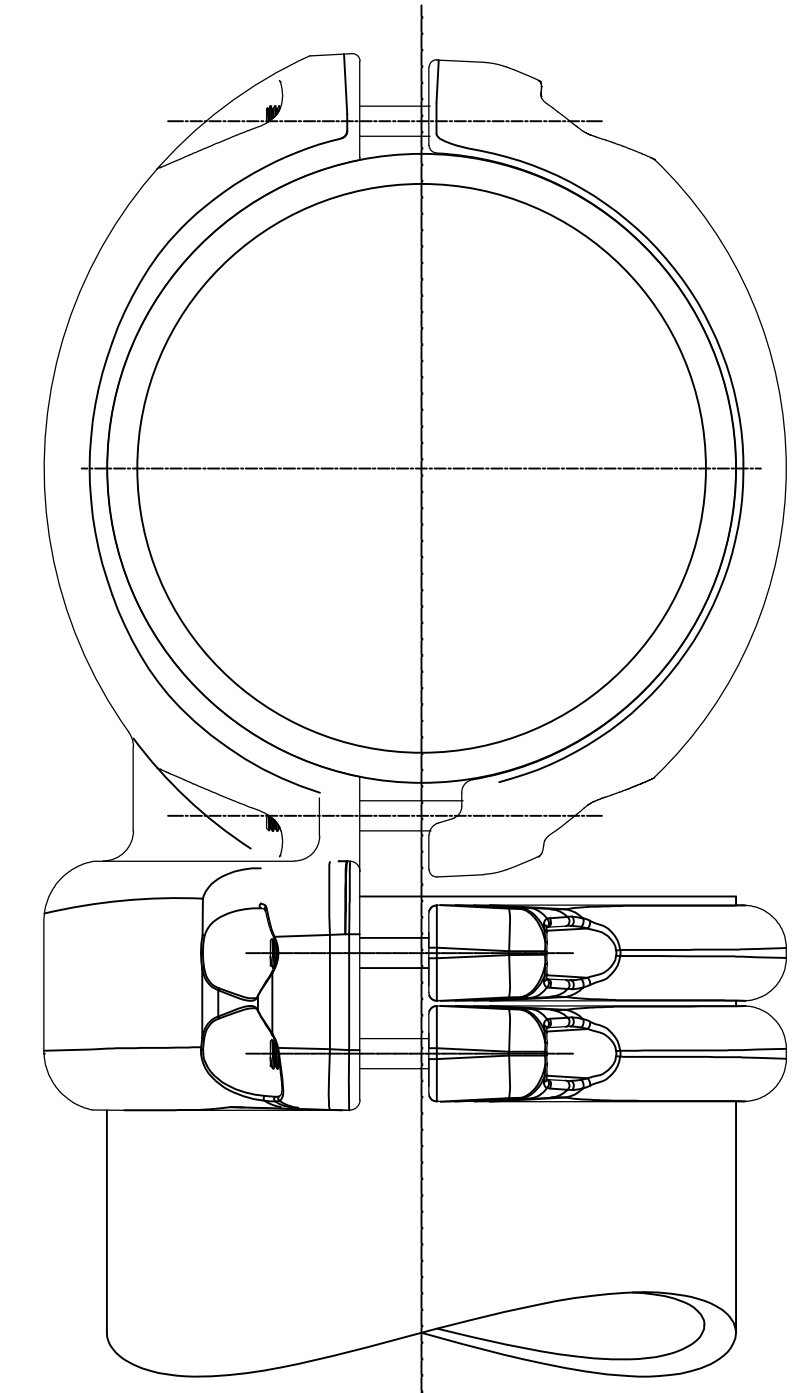
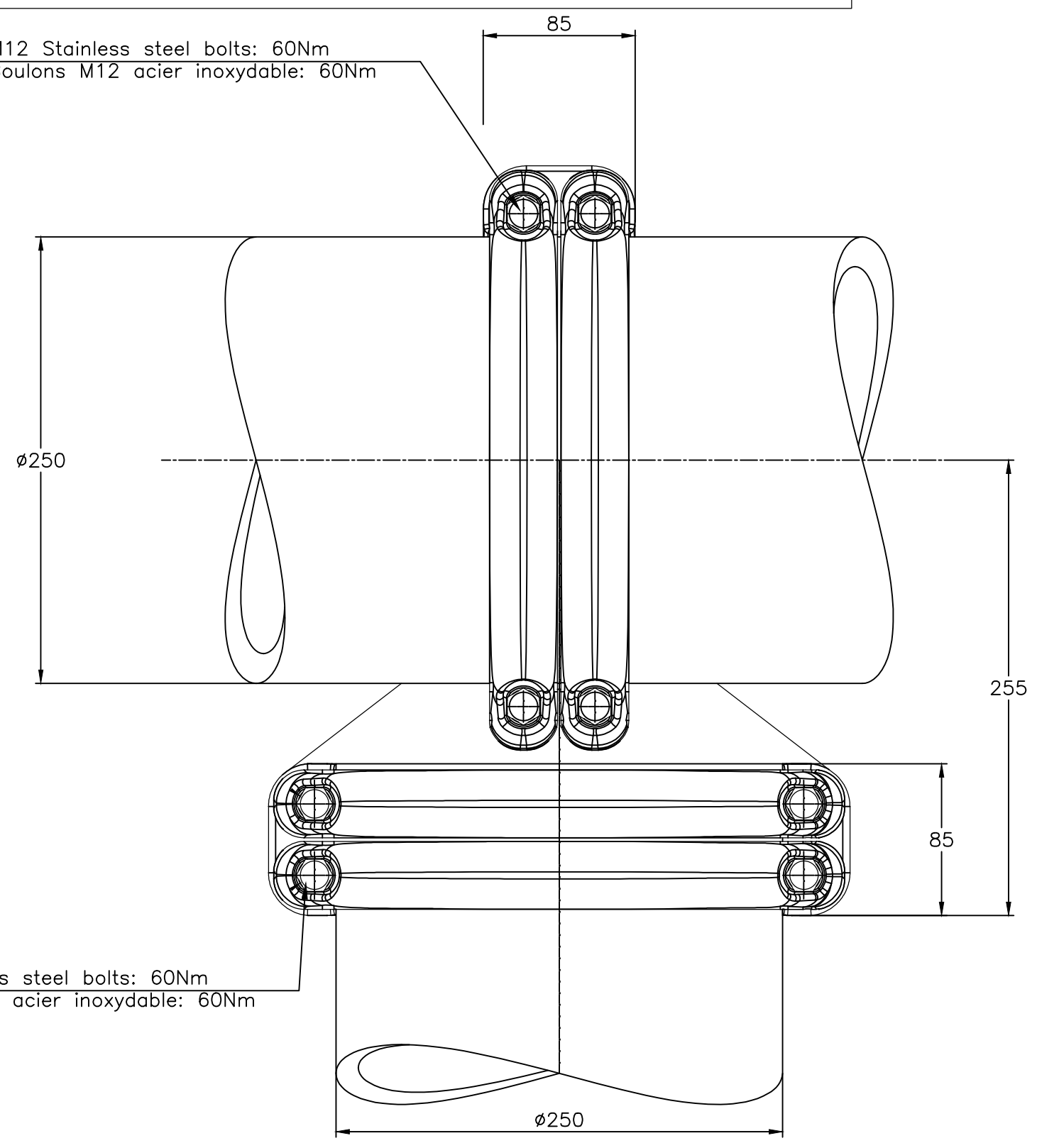
ALL RIGHTS RESERVED.

© COPYRIGHT - By -

REVISIONS

P	LTR	DESCRIPTION	DATE	DWN	APVD
	A	CREATION	26-Jul-16	JG	-

M12 Stainless steel bolts: 60Nm  
Boulons M12 acier inoxydable: 60Nm



M12 Stainless steel bolts: 60Nm  
Boulons M12 acier inoxydable: 60Nm

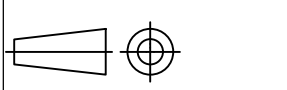
ITEM:.....

THIS DRAWING IS A CONTROLLED DOCUMENT.

DWN GODARD 26-Jul-16

DIMENSIONS:  
mm

TOLERANCES UNLESS OTHERWISE SPECIFIED:



- 0 PLC ± -
- 1 PLC ± -
- 2 PLC ± -
- 3 PLC ± -
- 4 PLC ± -
- ANGLES ± -

MATERIAL

FINISH

CHK -

APVD -

PRODUCT SPEC

108-69090-001

APPLICATION SPEC

APPROX.WEIGHT 10.0 kg



TEE CONNECTOR FOR TUBE  
RACCORD EN T  
5 TD 82 T250

SIZE	CAGE CODE	DRAWING NO	RESTRICTED TO
A3	00779	C=2307079	-

CUSTOMER DRAWING SCALE 1/3 SHEET 1 OF 1 REV A