

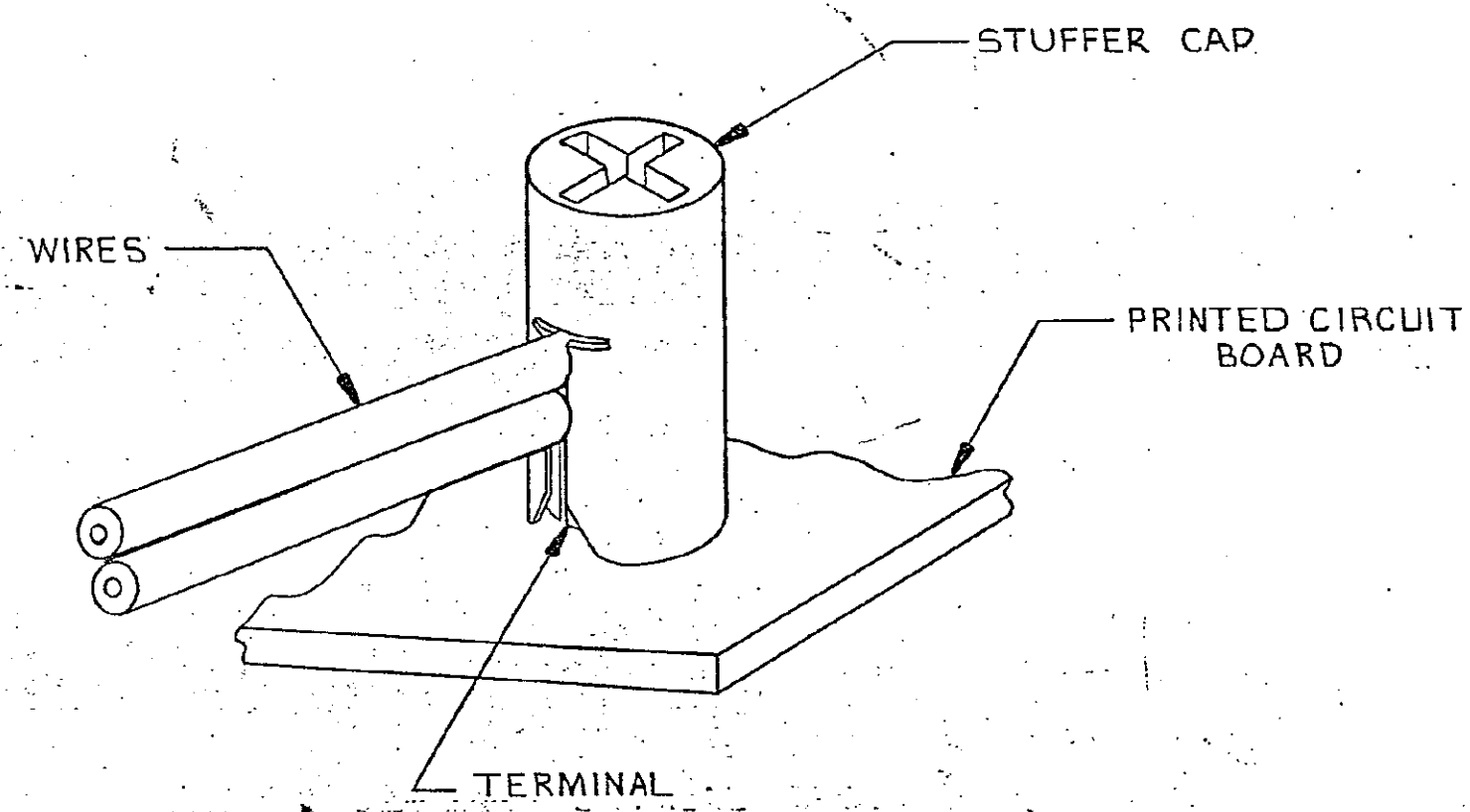
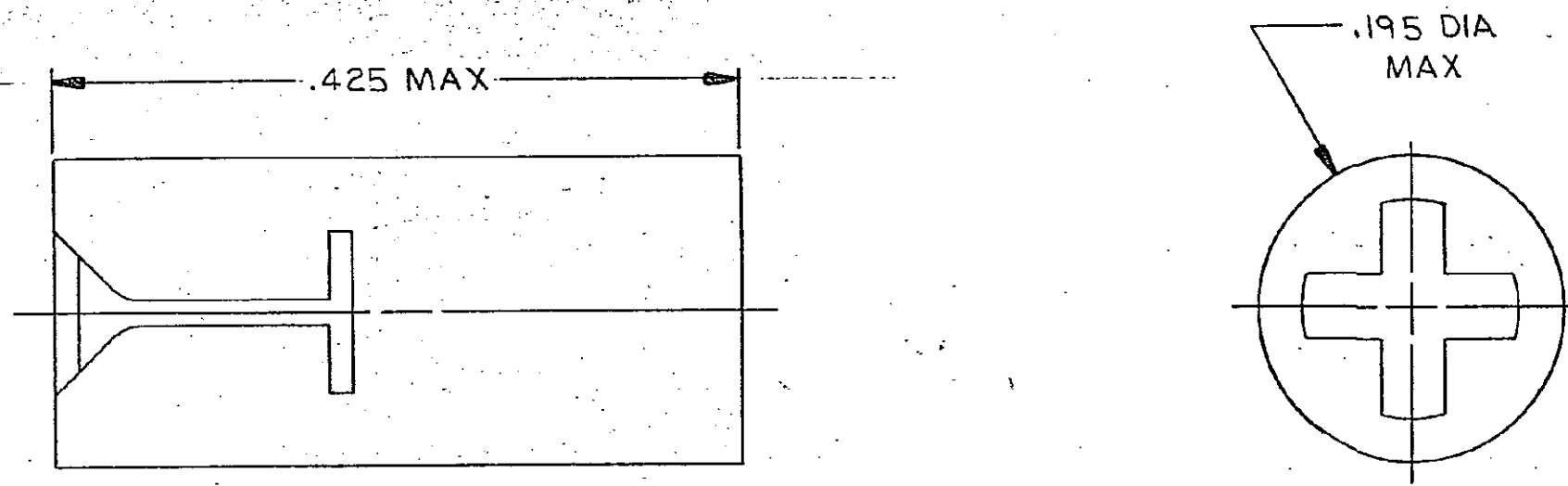
DRAWING MADE IN THIRD ANGLE PROJECTION

LOC AA DIST 27

© COPYRIGHT 1978 BY AMP INCORPORATED, HARRISBURG, PA.  
ALL INTERNATIONAL RIGHTS RESERVED. AMP INCORPORATED PRODUCTS  
COVERED BY U. S. AND FOREIGN PATENTS AND/OR PATENTS PENDING.


REVISIONS						
P	F	ZONE	LTR	DESCRIPTION	DATE	APPROVED
		E		OBS: 5/11/EC 0502-0222-96	5/11/77	03 RD

1. RECOMMENDED INSERTION TOOL: NO. 2 PHILLIPS SCREWDRIVER.



DETAIL A FOR REFERENCE ONLY

OBSOLETE	LOOSE PIECE	NATURAL	552699	24 28	3
		YELLOW		18 22	2307071
	PACKAGING	COLOR	TERM PART NO.	WIRE GAGE	PART NO

UNLESS OTHERWISE SPECIFIED DIMENSIONS ARE IN INCHES. TOLERANCES ON: DECIMALS ± ANGLES ±	CONTRACT NO		 AMP INCORPORATED Harrisburg, Pa.		
	DR	12/29/78			
MATERIAL NYLON 6/6	CHK	RE Reich 1/2/79	NAME		
	APPD	V. Q. Vancian 1-2-79	CAP, STUFFER, .125 DIA		
FINISH	DSGN APPD		SIZE	CODE IDENT NO	DRAWING NO.
	OTHER APPD	RE Reich 1/2/79	C	00779	230707
			SCALE: 10-1		SHEET 1 OF 1

CUSTOMER DRAWING

A WAS 1222-77-27

230707