

THIS DRAWING IS UNPUBLISHED.

RELEASED FOR PUBLICATION

-. - .

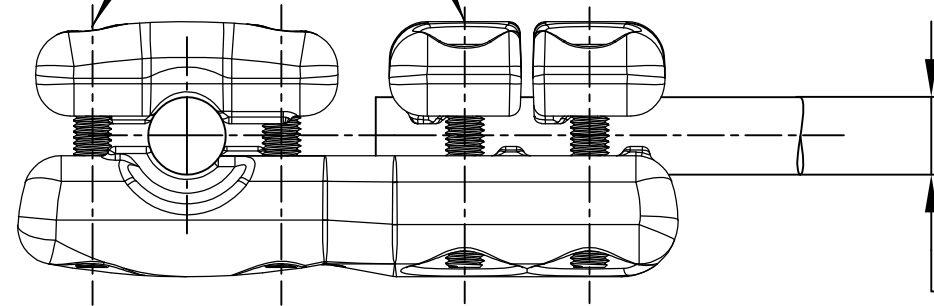
© COPYRIGHT - By -

ALL RIGHTS RESERVED.

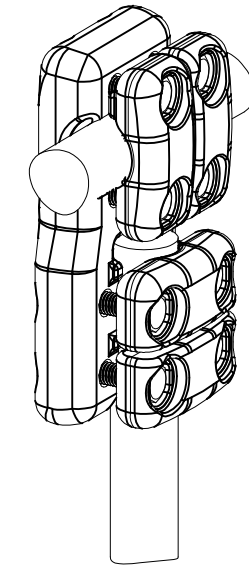
REVISIONS

P	LTR	DESCRIPTION	DATE	DWN	APVD
	A	CREATION	21AUG16	TC	-

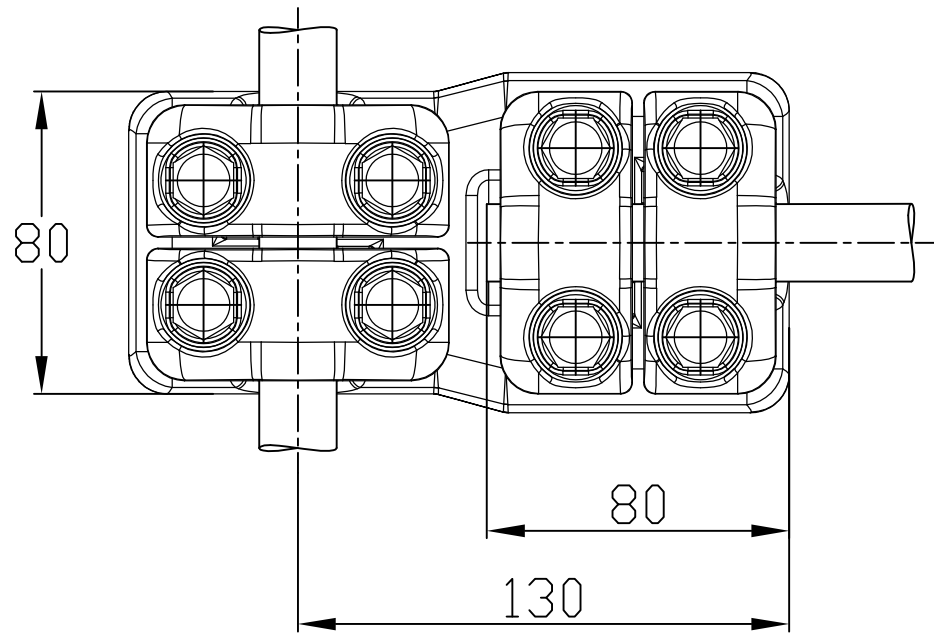
M10 Stainless steel bolts : 37Nm
 Boulons M10 Acier inoxydable : 37Nm




2 Cables Ø15 à 20.5
 2 Cables 15DIA to 20.5



No scale
 Sans échelle



ITEM:.....

THIS DRAWING IS A CONTROLLED DOCUMENT.		DWN CHARTON	21AUG2016	 TE Connectivity													
DIMENSIONS: mm		CHK	-														
TOLERANCES UNLESS OTHERWISE SPECIFIED:		APVD	-	NAME													
<table border="0"> <tr><td>0 PLC</td><td>± -</td></tr> <tr><td>1 PLC</td><td>± -</td></tr> <tr><td>2 PLC</td><td>± -</td></tr> <tr><td>3 PLC</td><td>± -</td></tr> <tr><td>4 PLC</td><td>± -</td></tr> <tr><td>ANGLES</td><td>± -</td></tr> </table>		0 PLC	± -	1 PLC	± -	2 PLC	± -	3 PLC	± -	4 PLC	± -	ANGLES	± -	PRODUCT SPEC	108-69096-001	DERIVATION CONDUCTOR CONNECTOR	
0 PLC	± -																
1 PLC	± -																
2 PLC	± -																
3 PLC	± -																
4 PLC	± -																
ANGLES	± -																
MATERIAL		APPLICATION SPEC	-	RACCORD POUR CABLE DE DERIVATION													
FINISH		FINISH	-	SIZE	RESTRICTED TO												
-		WEIGHT	1.5 kg	A3	-												
		CUSTOMER DRAWING		CAGE CODE	DRAWING NO												
				00779	©=2306938												
		SCALE	1:2	SHEET	1 OF 1												
		REV	A														