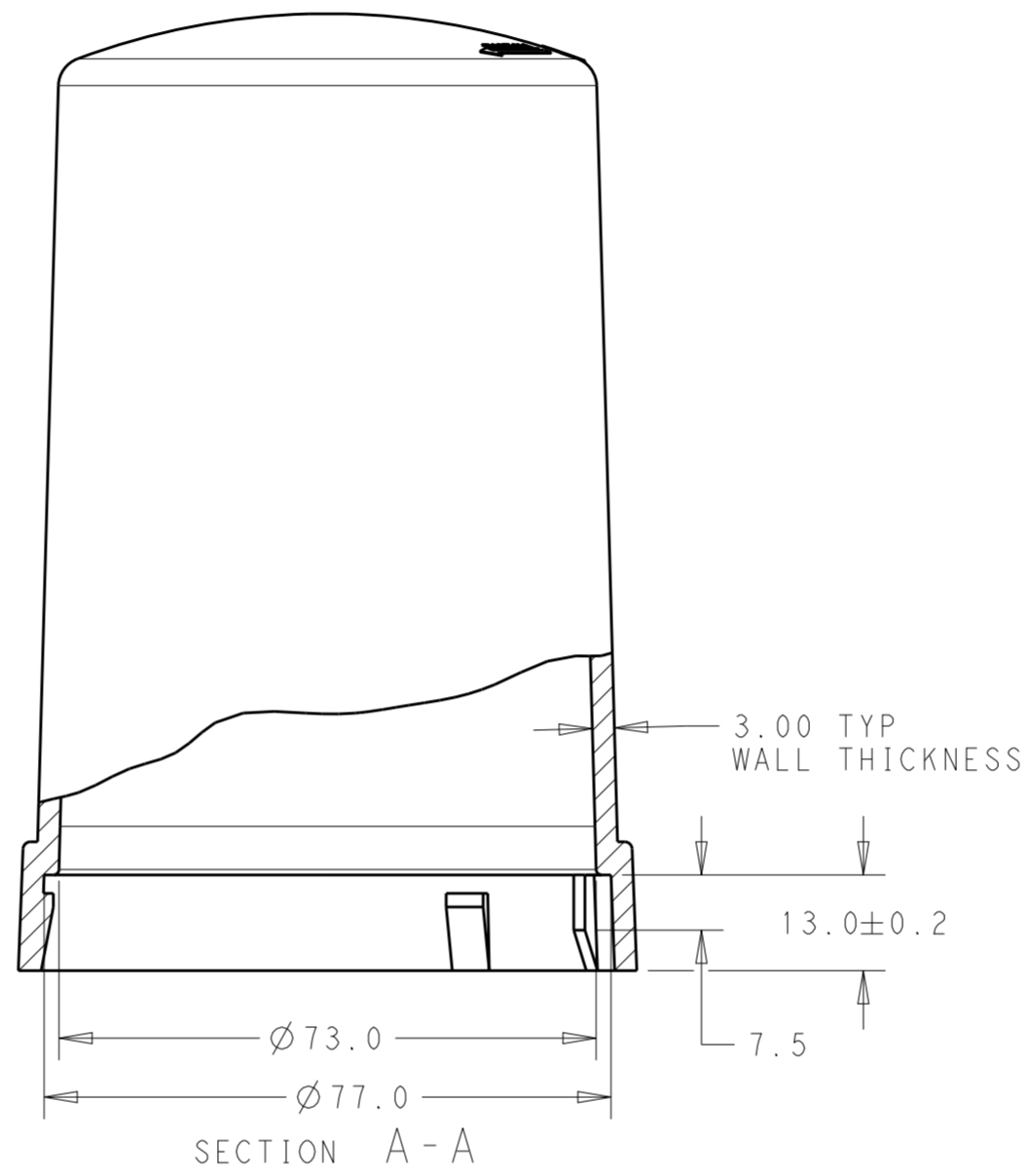
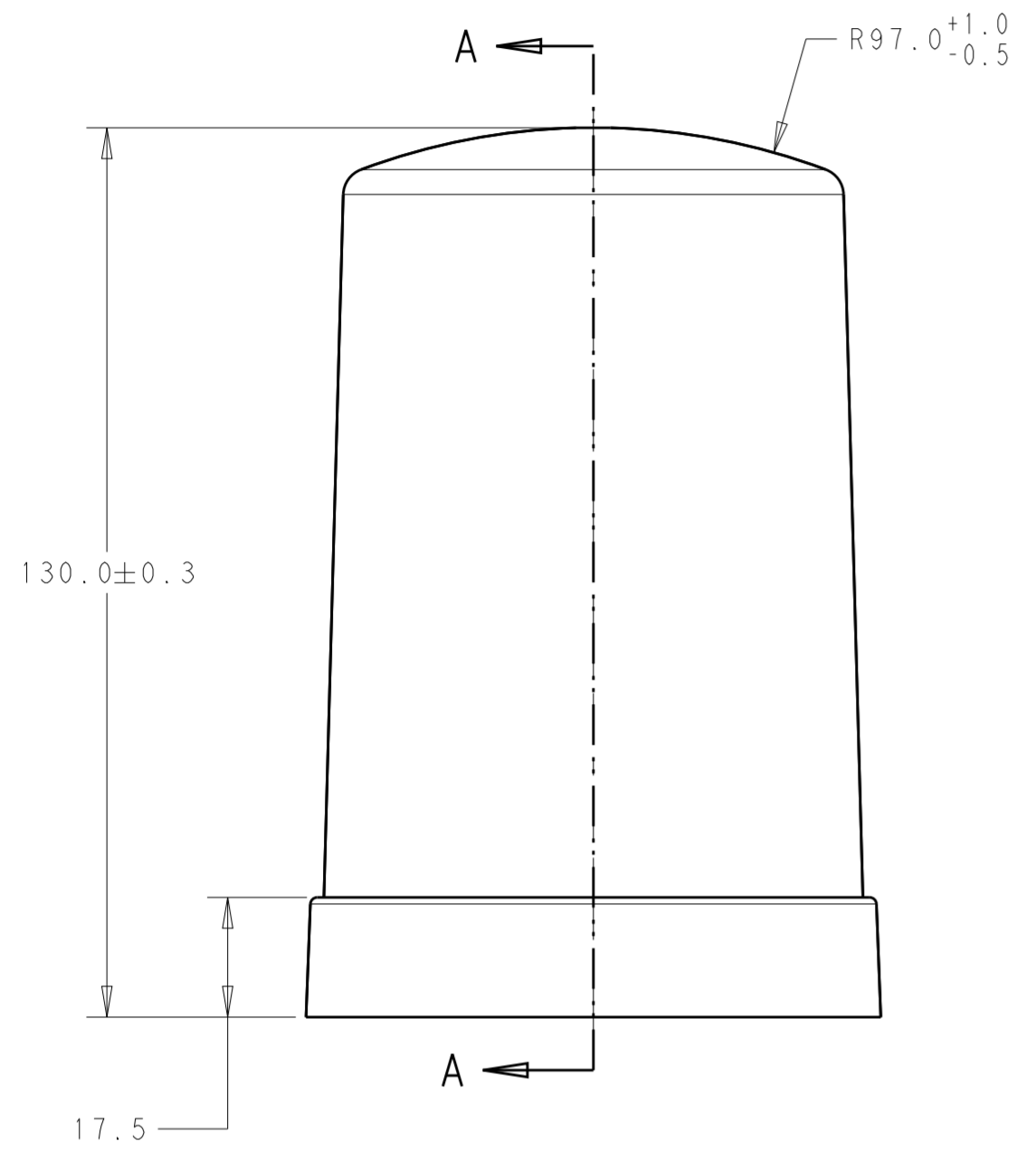
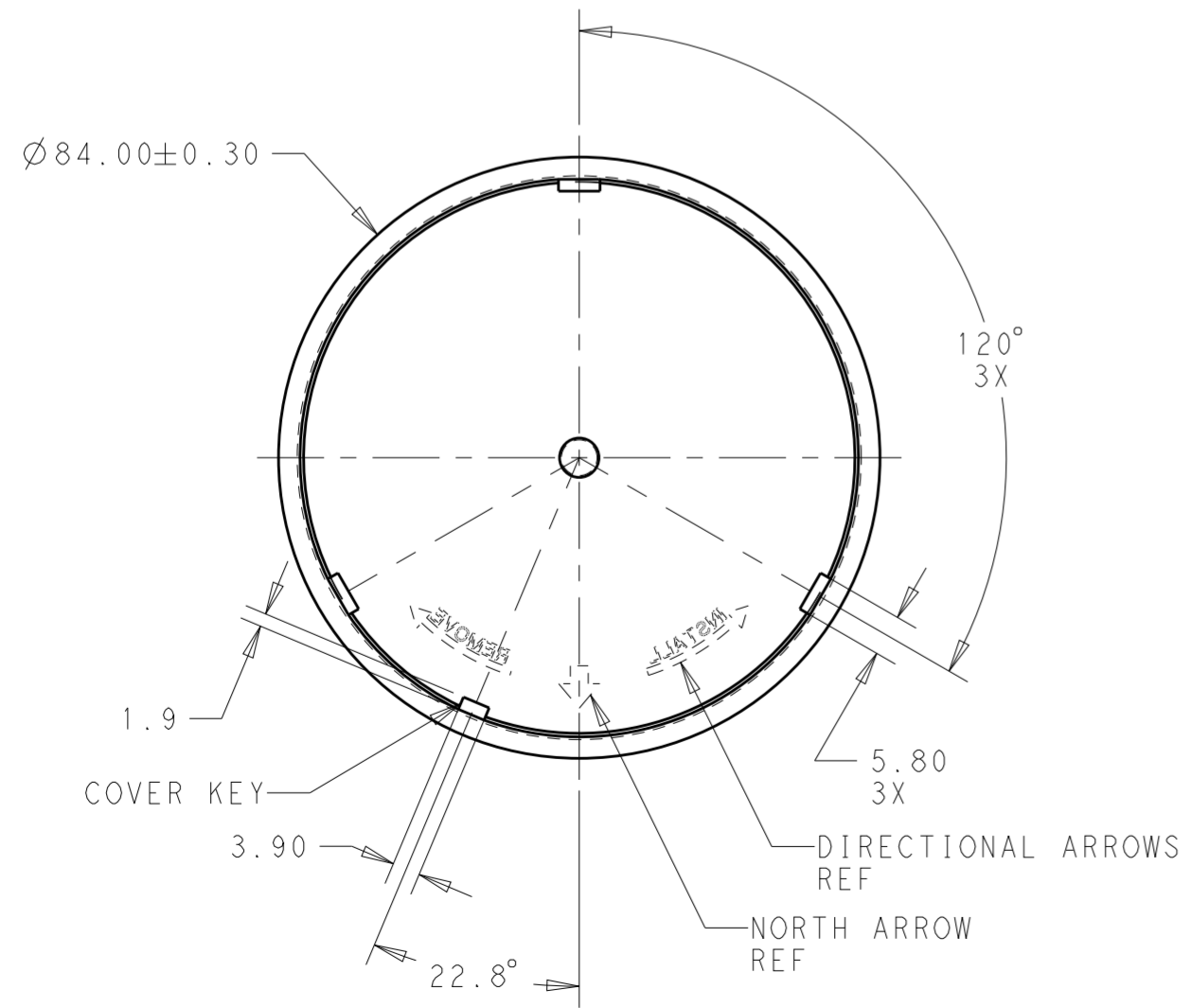
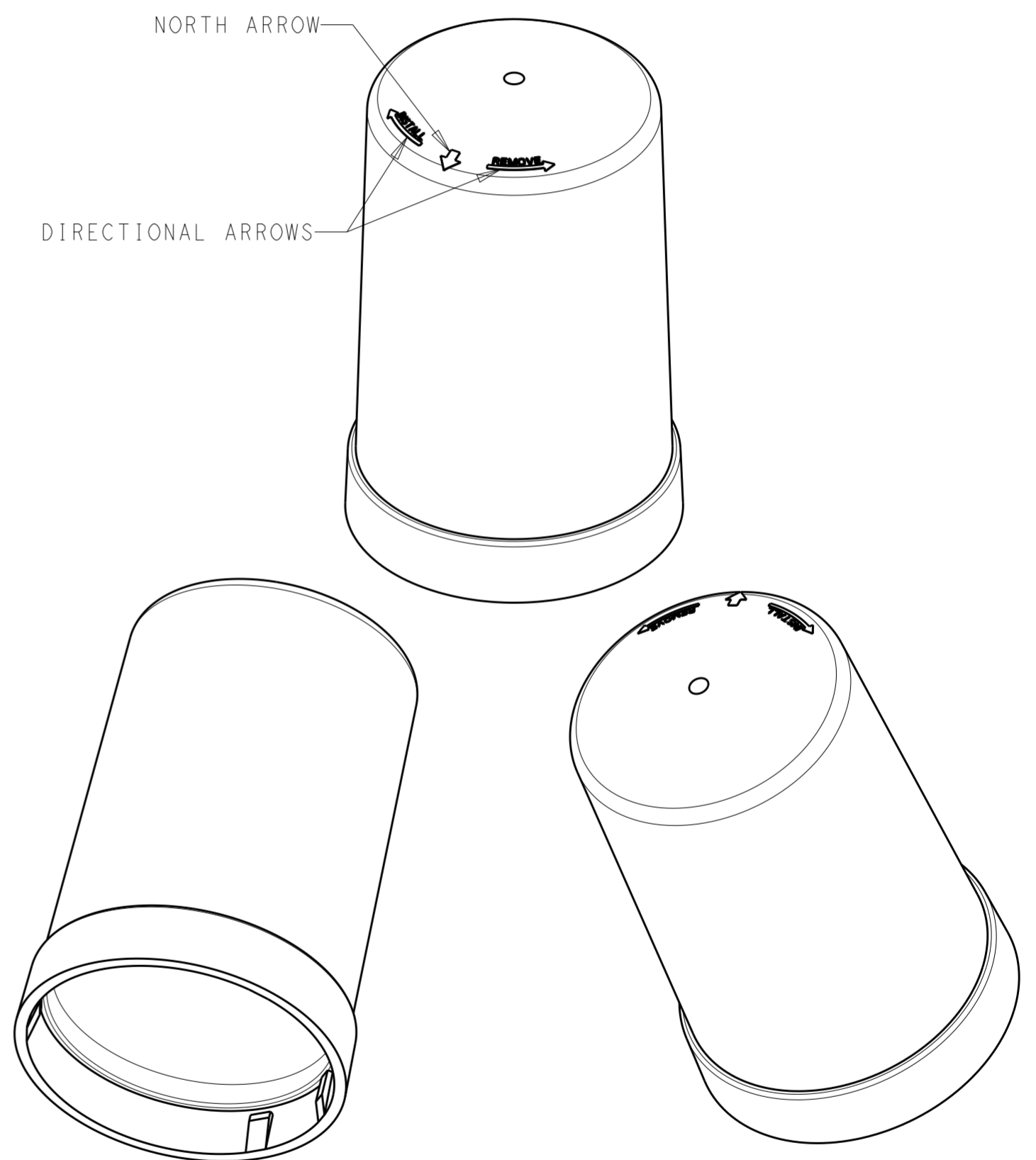


THIS DRAWING IS UNPUBLISHED. RELEASED FOR PUBLICATION 20
 © COPYRIGHT 20 BY - ALL RIGHTS RESERVED.

REVISIONS				
P	LTR	DESCRIPTION	DATE	APVD
A		REVISED PER ECO-17-010638	21JUL2017	RK DD
B		REVISED PER ECR-19-010486	10JUL2019	SR DD



- NOTES:
- 1 MATERIALS:
HOUSING: POLYCARBONATE, UV 5VA RATED
COLOR: SEE TABLE
 - 2 MATING BASE TE P/N: 2213730-X
 - 3. THIS PRODUCT HAS NOT COMPLETED VALIDATION TESTING.



78%	TRANSPARENT CLEAR	1-2306129-1
24%	TRANSPARENT SMOKE GRAY	2306129-1
APPROX LIGHT TRANSMISSION COLOR		PART NO.

THIS DRAWING IS A CONTROLLED DOCUMENT.		DWN J. SHAFFER 07JUL2016	TE Connectivity		
		CHK E. HOWARD 07JUL2016			
DIMENSIONS: mm		TOLERANCES UNLESS OTHERWISE SPECIFIED: 0 PLC ±- 1 PLC ±0.2 2 PLC ±0.13 3 PLC ±- 4 PLC ±- ANGLES ±3° FINISH -		NAME COVER, LIGHT CONTROLLER, TALL, 76 DIA	
MATERIAL -		PRODUCT SPEC 108-32125 APPLICATION SPEC 114-32159 WEIGHT -		SIZE A2	
CUSTOMER DRAWING		SCALE 1:1		SHEET 1 OF 1 REV B	