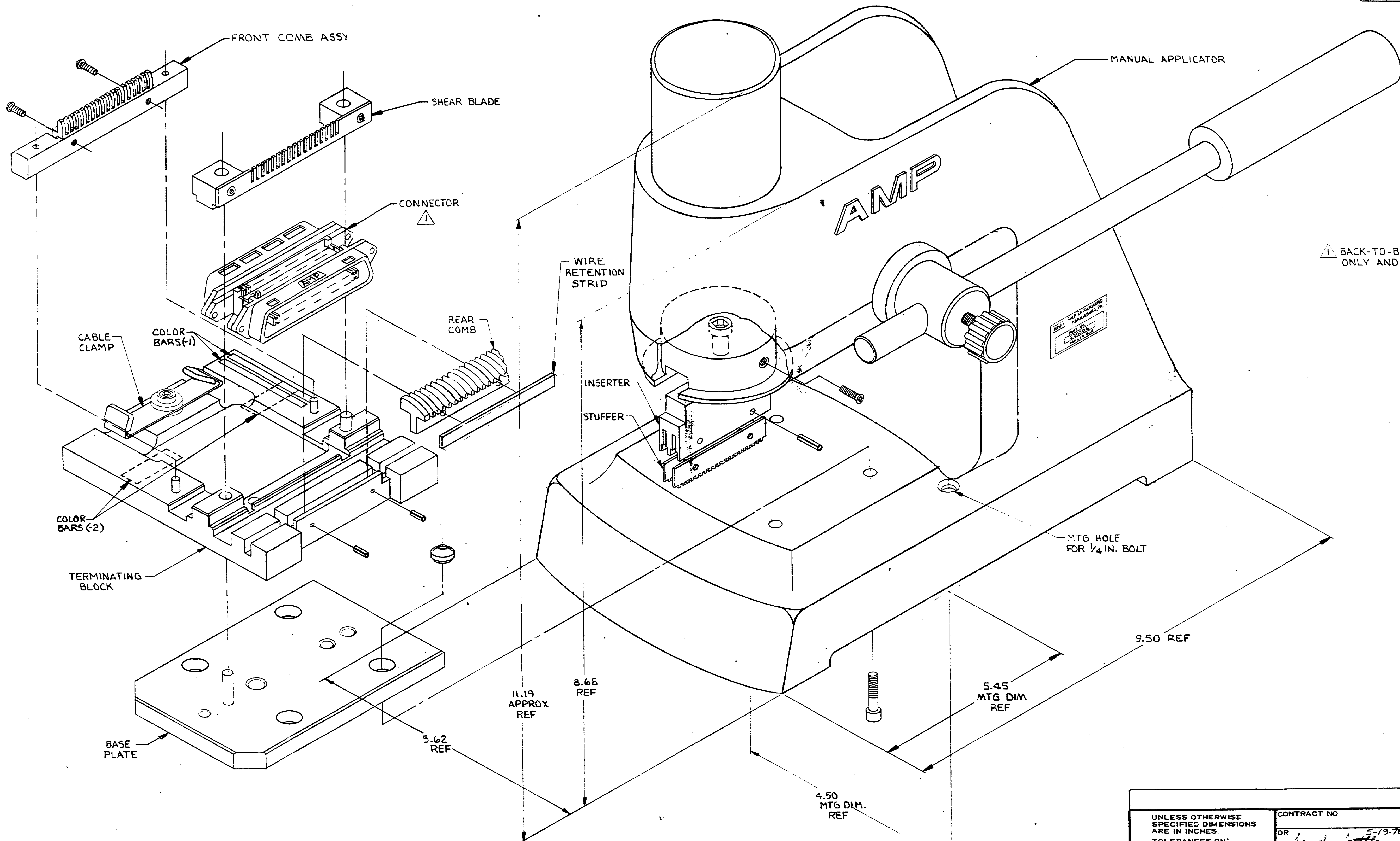


REVISIONS						
P	F	ZONE	LTR	DESCRIPTION	DATE	APPROVED
0				RLSE PER NPR C78-34	5/19/78	REK
1			A	REV PER ECN S-1228	8/22/78	REK
2			B	REV PER ECN S-1247	9/27/78	VS
3			C	REV PER ECN S-1266	10-31-78	VS
4			D	REV PER ECN S-1270	11-16-78	VS
5			E	REV PER ECN S-1296	1-11-79	VS
6			F	ADDED -3 & -4, NPI C79-1	2-9-79	REK
7			G	REV PER ECN S-1340	4-24-79	VS



▲ BACK-TO-BACK CONNECTORS ARE SHOWN FOR REFERENCE ONLY AND ARE NOT PART OF ASSEMBLY.

230506-1 AS SHOWN

24 POSN LESS MNL APPL	230506-4
50 POSN LESS MNL APPL	230506-3
24 POSN APPLICATOR	230506-2
50 POSN APPLICATOR	230506-1

UNLESS OTHERWISE SPECIFIED DIMENSIONS ARE IN INCHES. TOLERANCES ON: DECIMALS = ± .015 ANGLES = ± .5°	CONTRACT NO	AMP INCORPORATED Harrisburg, Pa.
	DR <i>Landy Jett</i> 5-19-78 CHK <i>REK</i> 5/25/78	
MATERIAL	APPD <i>TE Swai</i> 07/078	SIZE CODE IDENT NO NUMBER D 00779 230506
FINISH	OTHER APPD	SCALE NONE SHEET 1 OF 1