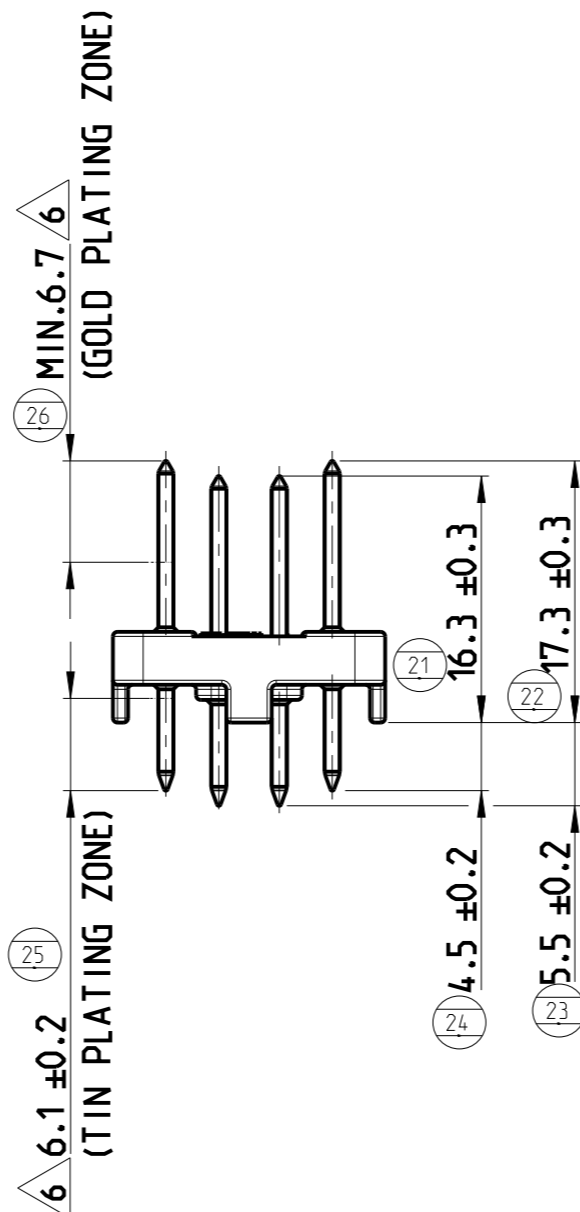
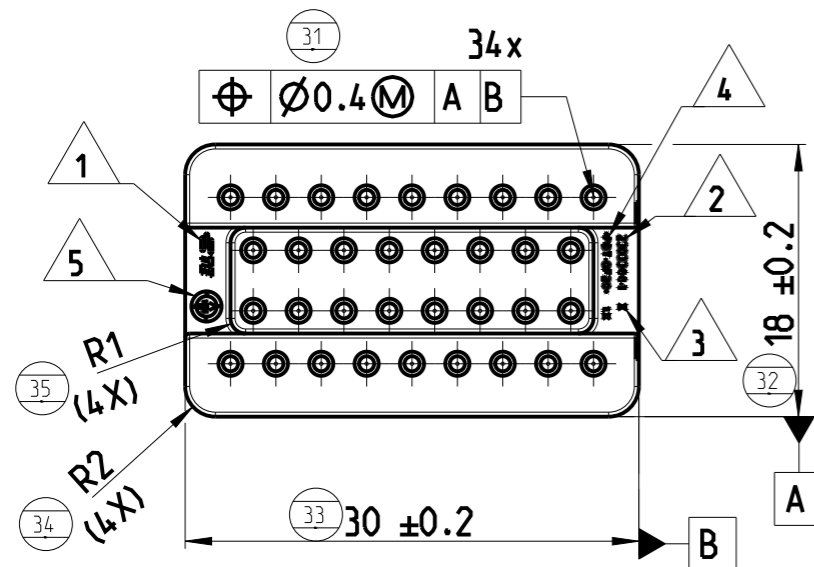
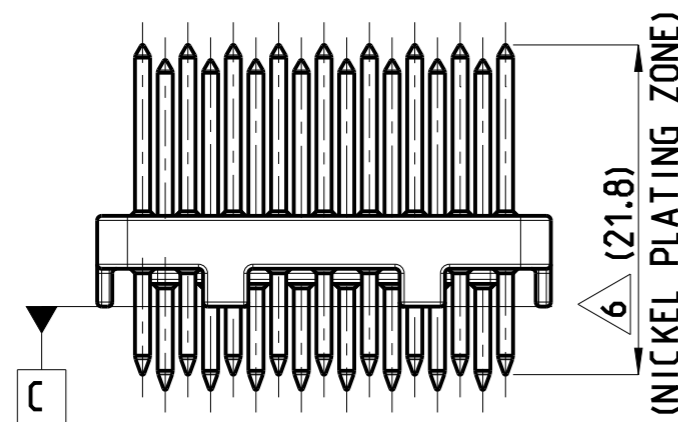
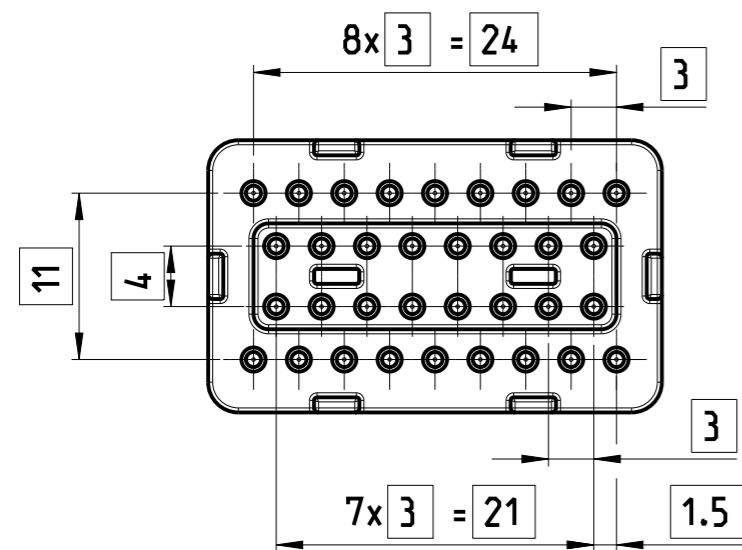


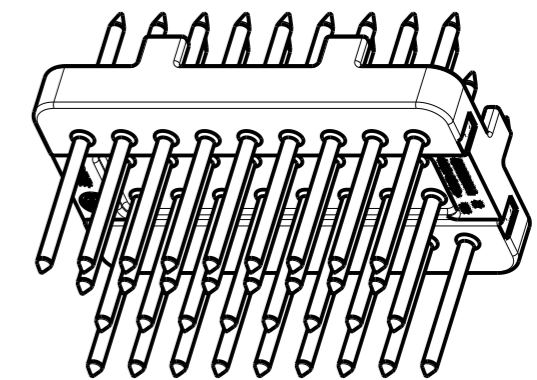
P	LTR	DESCRIPTION	DATE	DWN	APVD
A		NEW DRAWING	03AUG2016	MT	GCR
A1		UPDATED AS PER ECR-20-014900	06AUG2020	SK	GSM
-	-	-	-	-	-
-	-	-	-	-	-



NOTES:

- 1 TE CONNECTIVITY (TE) LOGO.
- 2 TE PART-NO.
- 3 LETTER-INSERT FOR THE REVISION STATUS OF THE MOULD
ACTUAL STATUS: SEE TABLE
- 4 MATERIAL MARKING ACCORDING TO VDA 260
- 5 PRODUCTION DATE
- 6 PLATING : GOLD PLATING 0.4 μm MIN.
TIN PLATING. 2.5~5 μm
UNDER PLATING : NICKEL PLATING 1.3~2.5 μm.
- 7 TUBE PACKAGING IN CORRUGATED BOX

SCALE:2:1



2303344-1, AS SHOWN
PIN CARRIER 34P.

TE ORDER-NO.	DESCRIPTION	REV.	QTY	MATERIAL	COLOUR	DESCRIPTION	ITEM
2303344-2	PIN CARRIER 26P	A1	26	C2600/C2700	PLATING: Au	PIN	2
			-	PBT-GF20	BLACK	Body	
2303344-1	PIN CARRIER 34P	A1	34	C2600/C2700	PLATING: Au	PIN	1
			-	PBT-GF20	BLACK	Body	

TOLERANCES UNLESS OTHERWISE SPECIFIED ACC. TO DIN 16901-140 @ CENTRIC TO NOMINAL DIMENSION. EDITION 1982-11 SHALL APPLY. Freissstoleranzen nach DIN 16901-140 @. Es gilt die Ausgabe 1982-11.	
PRODUCT CHARACTERISTICS ACC. QMP EMEA_12 BESONDERE MERKMALE NACH QMP EMEA_12	TOLERANCING ISO 8015 TOLERIERUNG ISO 8015
THIS DRAWING IS A CONTROLLED DOCUMENT.	DWN 09MAY2016 MANJUNATH GM
DIMENSIONING AND TOLERANCING PER GPS (ISO STANDARDS)	CHK 09MAY2016 GURUMURTHY CR
DIMENSIONS: mm	APVD 09MAY2016 V.V.BIDI
TOLERANCES UNLESS OTHERWISE SPECIFIED:	PRODUCT SPEC
0 PLC ±0.1	-
1 PLC ±0.01	APPLICATION SPEC
2 PLC ±0.001	-
3 PLC ±0.0001	WEIGHT 7.5g
4 PLC ±0.0001	CUSTOMER DRAWING
ANGLES ±	SCALE 5:1
MATERIAL TBD	SHEET 1 OF 2
FINISH SEE TABLE	REV A1

TE TE Connectivity

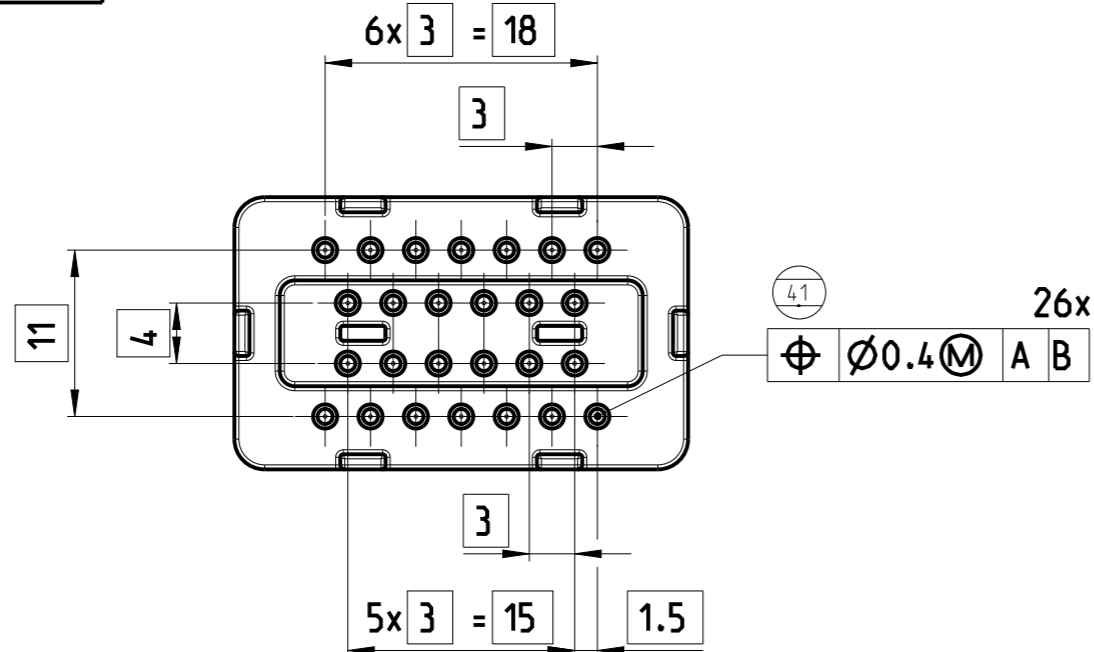
NAME PIN CARRIER, 34P

SIZE A3	CAGE CODE 00779	DRAWING NO C-2303344	RESTRICTED TO
---------	-----------------	----------------------	---------------

© 2020 TE Connectivity. All Rights Reserved.

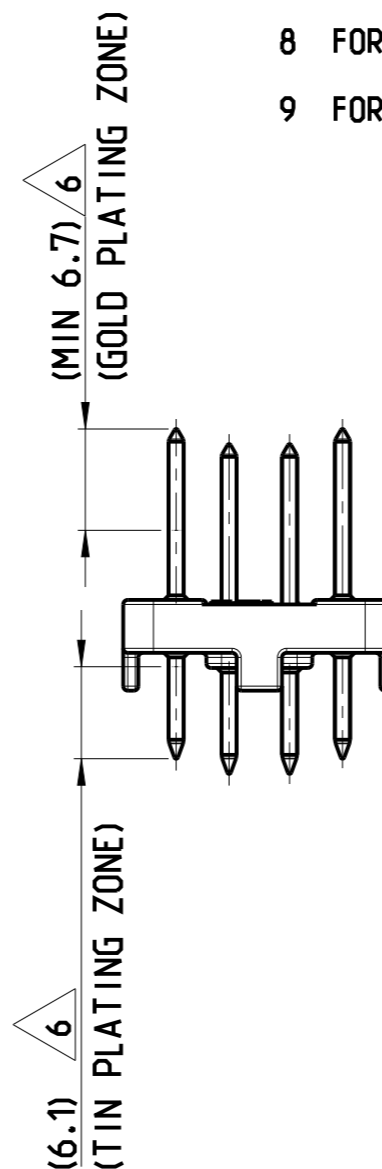
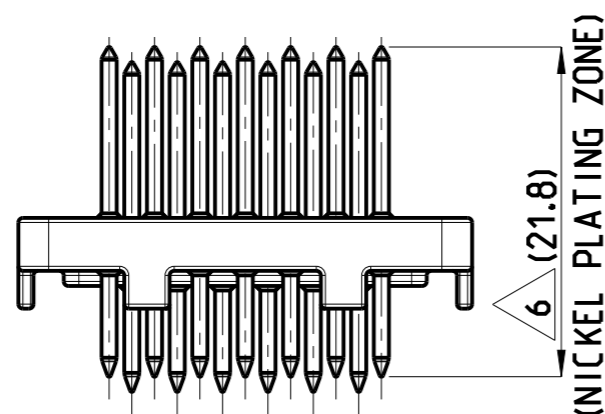
REVISIONS

P	LTR	DESCRIPTION	DATE	DWN	APVD
-	-	SEE SHEET 1	-	-	-
-	-	-	-	-	-
-	-	-	-	-	-
-	-	-	-	-	-

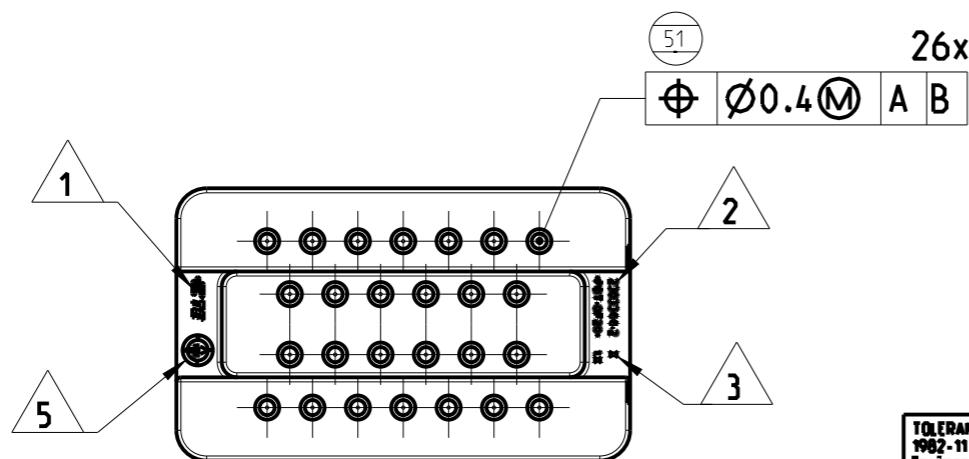
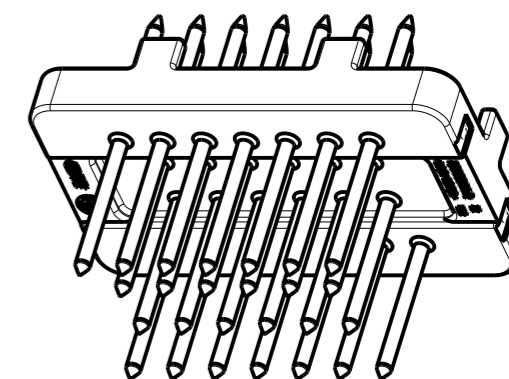


NOTES:

- 8 FOR DATUMS AND MISSING DIMENSION REFER 2303344-1, FROM SHEET 1.
- 9 FOR NOTES. SEE SHEET 1.



SCALE 2:1



2303344-2, AS SHOWN
PIN CARRIER 26P.

TOLERANCES UNLESS OTHERWISE SPECIFIED ACC. TO DIN 16901-140 (D) CENTRIC TO NOMINAL DIMENSION. EDITION 1982-11 SHALL APPLY. Freissiztoleranzen nach DIN 16901-140 (D). Es gilt die Ausgabe 1982-11.		TOLERANCING ISO 8015 TOLERIERUNG ISO 8015	
PRODUCT CHARACTERISTICS ACC. QMP EMEA_12 BESONDERE MERKMALE NACH QMP EMEA_12		DWN 09MAY2016 MANJUNATH GM	
THIS DRAWING IS A CONTROLLED DOCUMENT. DIMENSIONING AND TOLERANCING PER GPS (ISO STANDARDS)		CHK 09MAY2016 GURUMURTHY CR	
DIMENSIONS: mm		APVD 09MAY2016 V V BIDI	
TOLERANCES UNLESS OTHERWISE SPECIFIED:		PRODUCT SPEC	
0 PLC ±0.1		-	
1 PLC ±0.01		APPLICATION SPEC	
2 PLC ±0.001		-	
3 PLC ±0.001		WEIGHT 7.5g	
4 PLC ±0.0001		MATERIAL TBD	
ANGLES ±		FINISH SEE TABLE	
-		-	

		NAME PIN CARRIER, 26P	
		SIZE A3	CAGE CODE 00779
DRAWING NO C-2303344		RESTRICTED TO	
CUSTOMER DRAWING		SCALE 5:1	SHEET 2 OF 2
		REV A1	