

THIS DRAWING IS UNPUBLISHED.

RELEASED FOR PUBLICATION

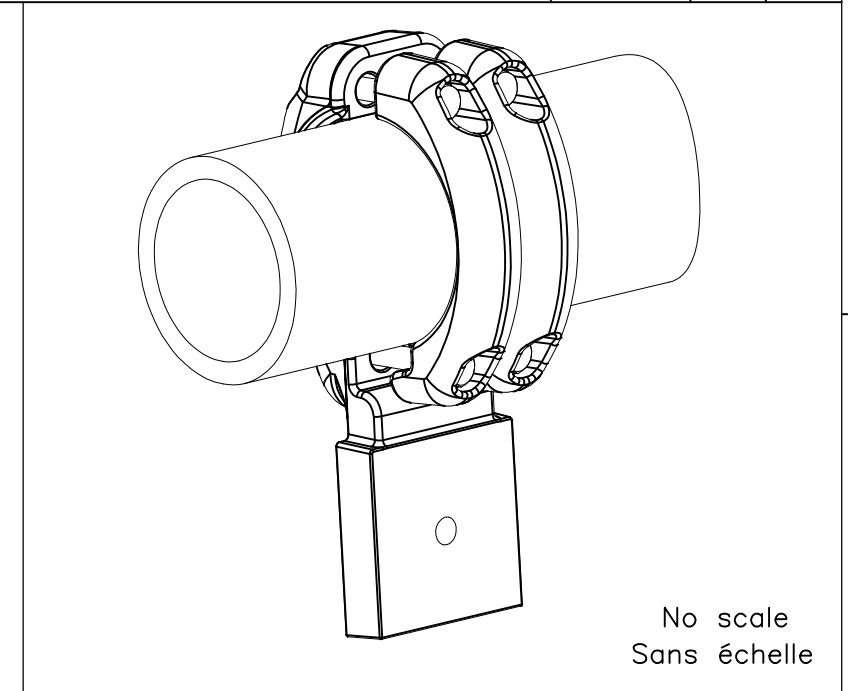
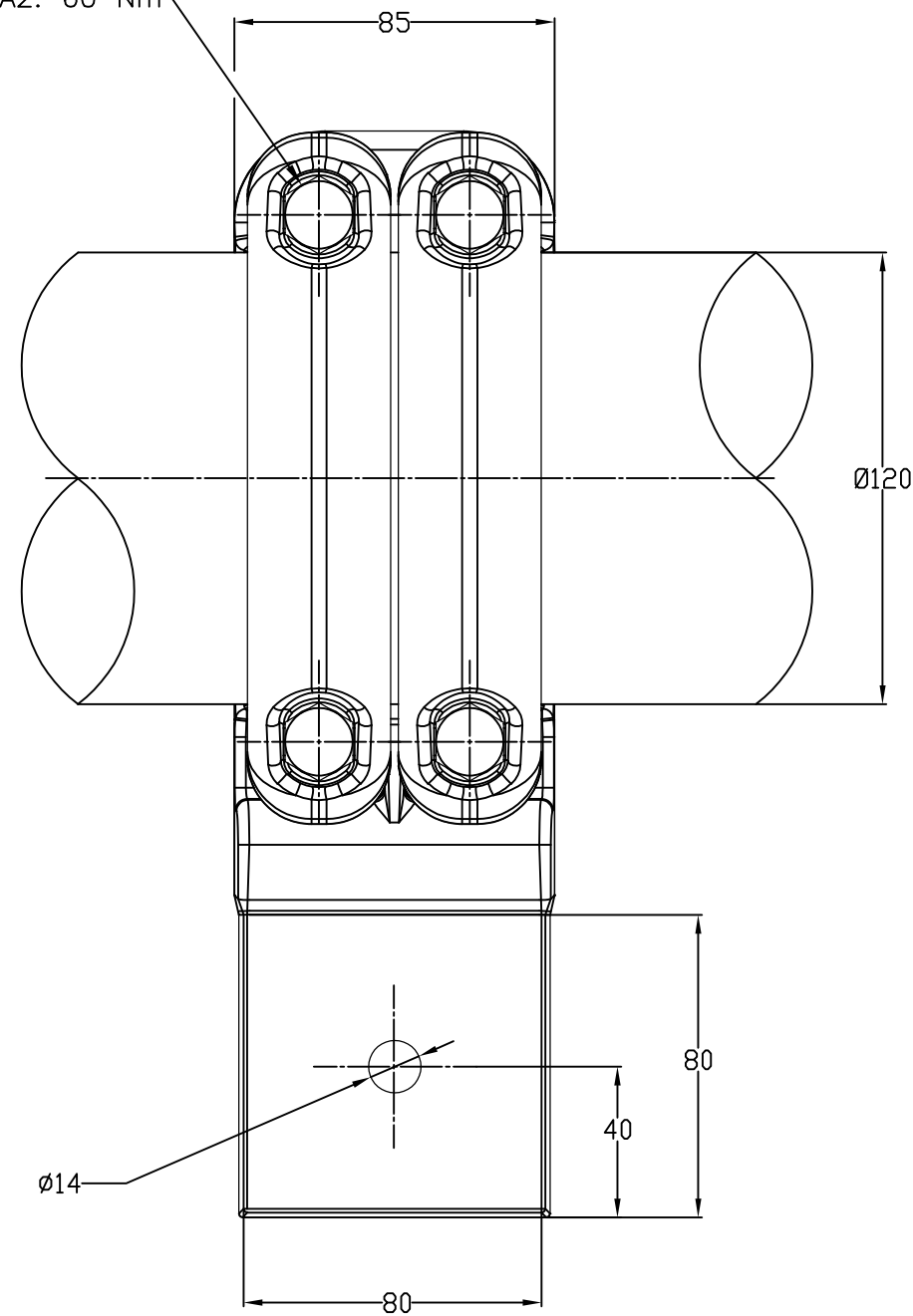
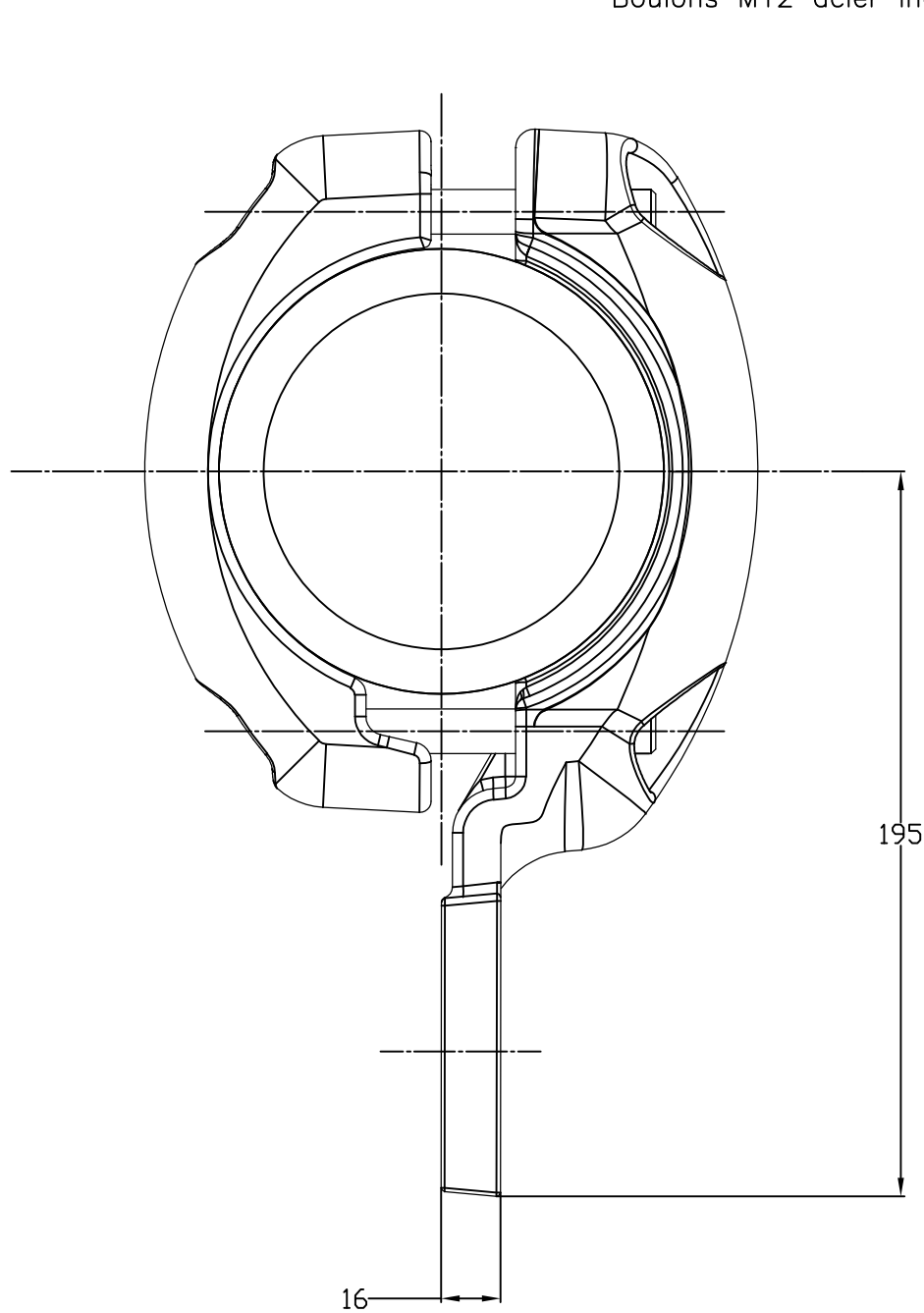
ALL RIGHTS RESERVED.

© COPYRIGHT - By -

REVISIONS

P	LTR	DESCRIPTION	DATE	DWN	APVD
	C	ECO-17-015156	16-OCT-17	GL	-

M12 Stainless steel A2 bolts: 60 Nm
 Boulons M12 acier inoxydable A2: 60 Nm



ITEM:.....

THIS DRAWING IS A CONTROLLED DOCUMENT.		DWN GODARD	14-Apr-16	STE TE Connectivity	
		CHK	-		
DIMENSIONS: mm		TOLERANCES UNLESS OTHERWISE SPECIFIED:		NAME FLAG PALM CONNECTOR FOR TUBE RACCORD PL DRAPEAU POUR TUBE 5 TTPF 82 T120 80 C118	
		0 PLC	± -	PRODUCT SPEC 108-69090-001	
		1 PLC	± -	APPLICATION SPEC	
MATERIAL		2 PLC	± -	SIZE	CAGE CODE
		3 PLC	± -	WEIGHT	DRAWING NO
		4 PLC	± -	2.7 kg	A3 00779
		ANGLES	± -	C=2303166	
		FINISH	-	RESTRICTED TO	
				-	
CUSTOMER DRAWING				SCALE	1:2
				SHEET	1 OF 1
				REV	C