

THIS DRAWING IS UNPUBLISHED.

RELEASED FOR PUBLICATION

-. - .

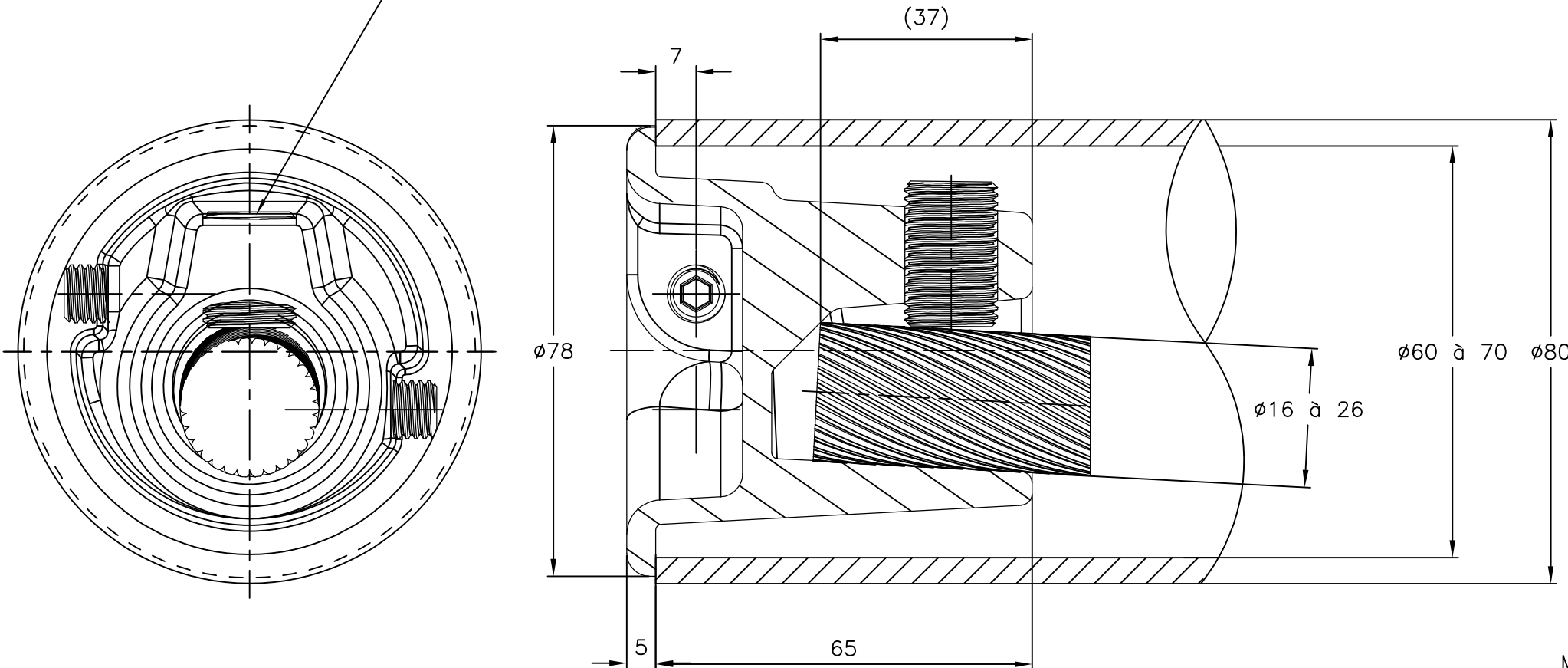
REVISIONS

ALL RIGHTS RESERVED.

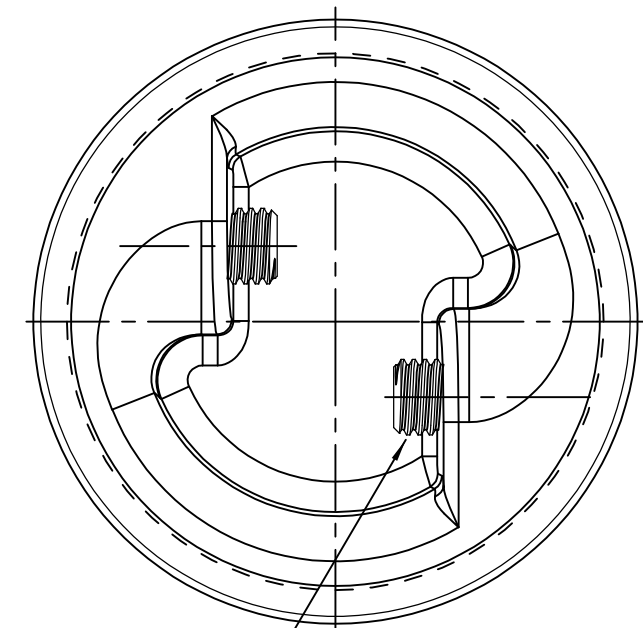
© COPYRIGHT - By -

P	LTR	DESCRIPTION	DATE	DWN	APVD
	C	ECO-16-017627	17-Dec-16	GL	-


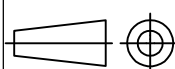
M16 Stainless steel screw Hc A2
 Vis Hc M16 acier inoxydable A2



M10 Stainless steel screw Hc A2
 Vis Hc M10 acier inoxydable A2



ITEM:.....

THIS DRAWING IS A CONTROLLED DOCUMENT.		DWN	31-Mar-16		 TE Connectivity
		CHK	-		
		APVD	-		
		PRODUCT SPEC	-		
DIMENSIONS: mm		TOLERANCES UNLESS OTHERWISE SPECIFIED:		NAME	
		0 PLC	± -	108-69090-001 END CAP CABLE HOLDER BOUCHON PLAT PORTE CABLE 5 TABPC 82 T80 16-26 (OPC 80)	
		1 PLC	± -		
		2 PLC	± -		
		3 PLC	± -		
MATERIAL		4 PLC	± -	SIZE	CAGE CODE
		ANGLES	± -	DRAWING NO	RESTRICTED TO
		FINISH	-	00779	-
				©=2302042	
				WEIGHT	0.25 kg
				CUSTOMER DRAWING	SCALE 1/1
					SHEET 1 OF 1
					REV C