

THIS DRAWING IS UNPUBLISHED.

RELEASED FOR PUBLICATION

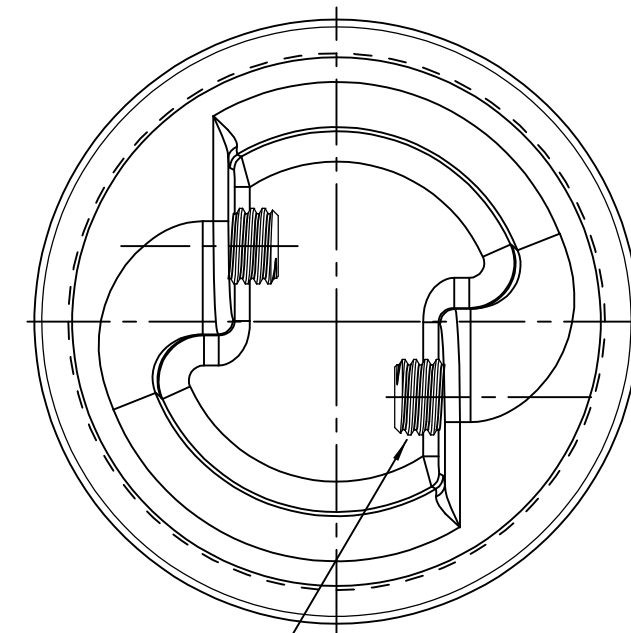
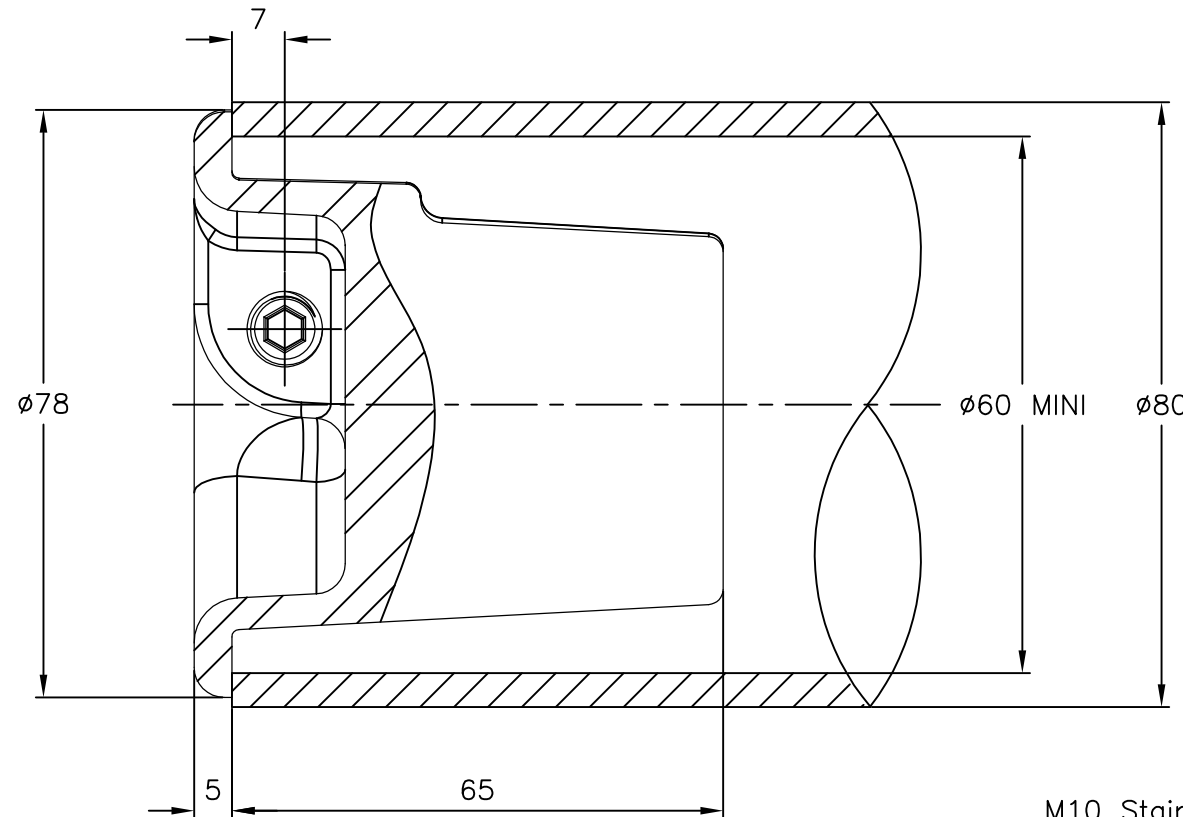
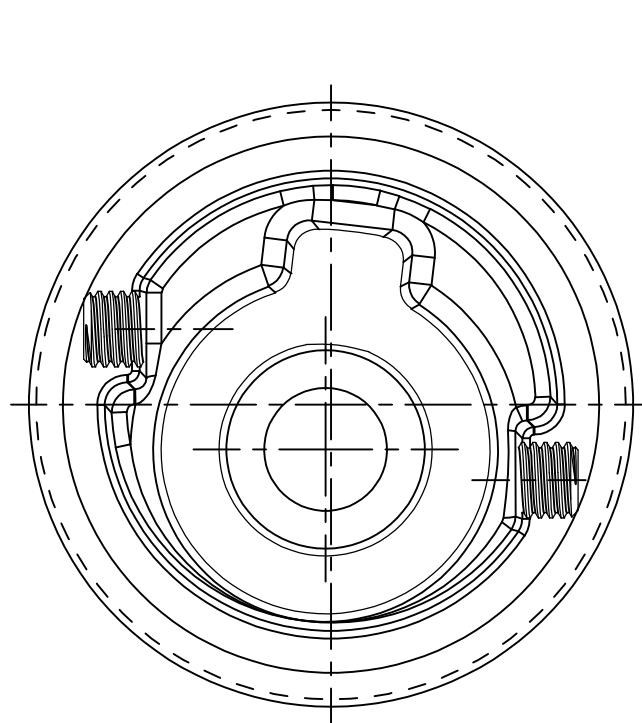
-. - .

ALL RIGHTS RESERVED.

© COPYRIGHT - By -

REVISIONS

P	LTR	DESCRIPTION	DATE	DWN	APVD
	C	UPDATED DRAWING	10-Nov-16	JPM	-



M10 Stainless steel screw Hc A2
 Vis Hc M10 acier inoxydable A2

THIS DRAWING IS A CONTROLLED DOCUMENT.

DWN GARNIER P. 30-Mar-16

CHK -

APVD -

PRODUCT SPEC

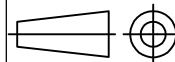
108-69090-001

APPLICATION SPEC

WEIGHT 0.25 kg

CUSTOMER DRAWING

DIMENSIONS:
mm



TOLERANCES UNLESS OTHERWISE SPECIFIED:

- 0 PLC ± -
- 1 PLC ± -
- 2 PLC ± -
- 3 PLC ± -
- 4 PLC ± -
- ANGLES ± -
- FINISH -



NAME

END CAP

BOUCHON PLAT

5 TABP 82 T80 (0 80)

SIZE A3 CAGE CODE 00779 DRAWING NO C=2302041 RESTRICTED TO -

SCALE 1/1 SHEET 1 OF 1 REV C

ITEM:.....