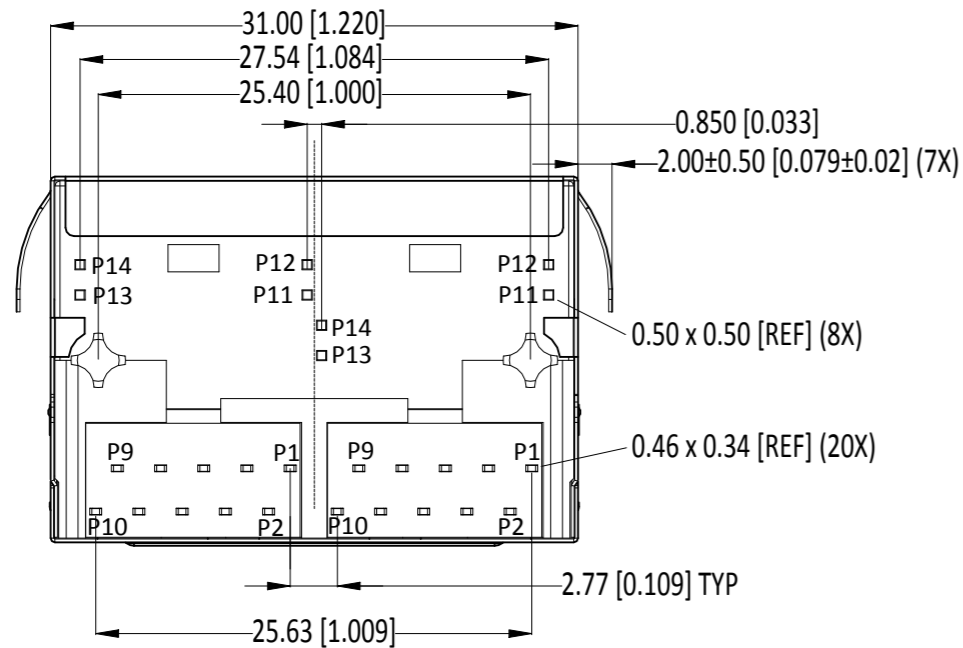


P	LTR	DESCRIPTION	DATE	DWN	APVD
E1		INCREASED STAND-OFF HEIGHT	06JUL2022	SS	LET



- 1 CONNECTOR MATERIAL:
 HOUSING: LCP BLACK UL94 V-0
 INSERT: LCP BLACK UL94 V-0
 SHIELD: BRASS
 SHIELD PLATING: NICKEL
 CONTACT: COPPER ALLOY
 CONTACT PLATING: SELECTIVE GOLD, MIN. 0.76µm (30µinch) IN CONTACT AREA
 OVER MIN. 1.27µm (50µinch) NICKEL
 SOLDER PIN PLATING: 3.05µm (120µinch) TIN OVER 1.27µm (50µinch) NICKEL
 OVER ALL
 SHIELDING PIN PLATING: NICKEL
- 2 PIN NOT ELECTRICALLY CONNECTED MAYBE OMITTED SEE ELECTRICAL CIRCUIT DIAGRAM FOR OMITTED PINS
- 3 RJ45 CAVITY DIMENSION CONFORM TO FCC PART 68
- 4 THE PART IS RECOMMENDED FOR REFLOW SOLDERING PROCESS PEAK SOLDERING: TEMPERATURE MAX. +260°C, MAX. 10s
- 5 OPERATING TEMPERATURE: T= -40°C TO +85°C
- 6 STORAGE TEMPERATURE: T= -40°C TO +85°C
- 7 UNLESS OTHERWISE SPECIFIED, SEE TABLE FOR ALL DIMENSIONS TOLERANCES
- 8 JACK CONFIGURATION: 1 x 2
 TAB DIRECTION: UP
- 9 PACKAGING: REEL (T+R) ACCORDING TO PACKAGING SPECIFICATION 107-18116
- 10 FOR VERTICAL INSERTION WITHOUT PLASTIC LOCKING POST FUNCTIONS INCREASE DIAMETER TO MAX 3.40mm

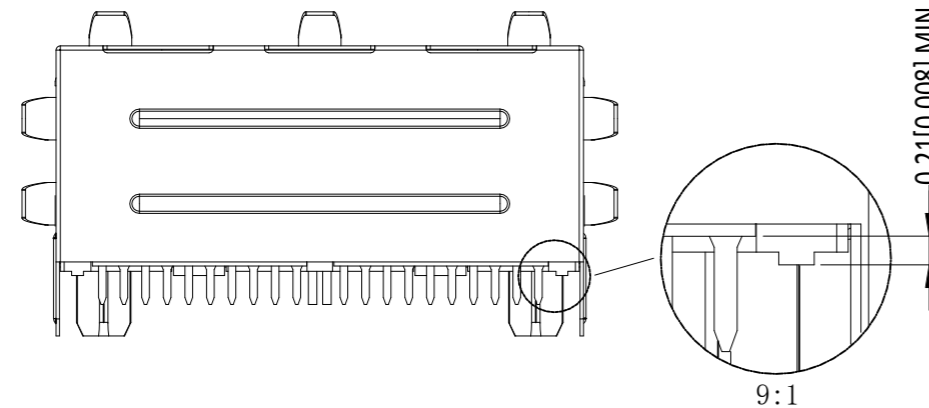
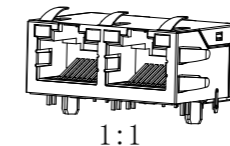
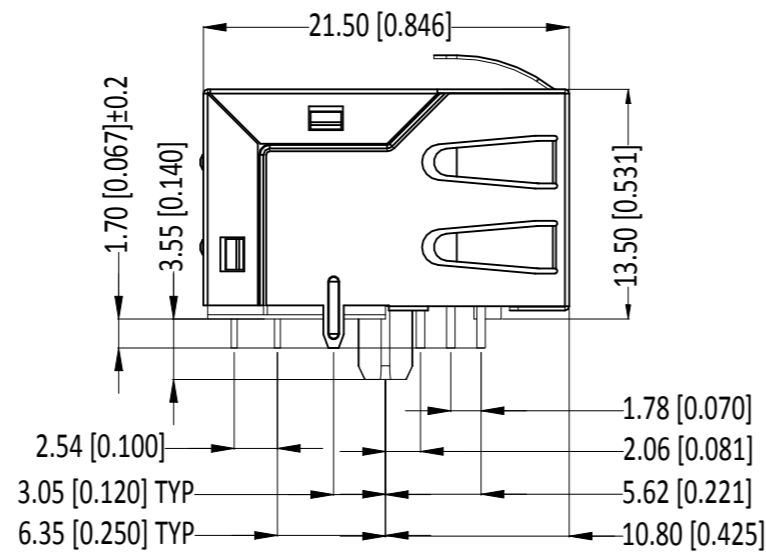
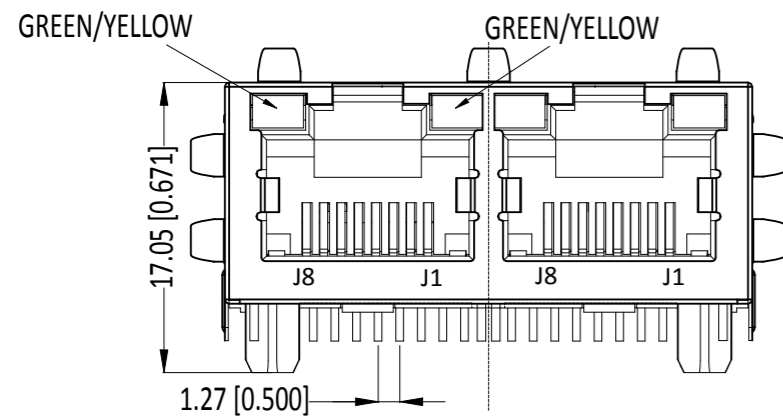
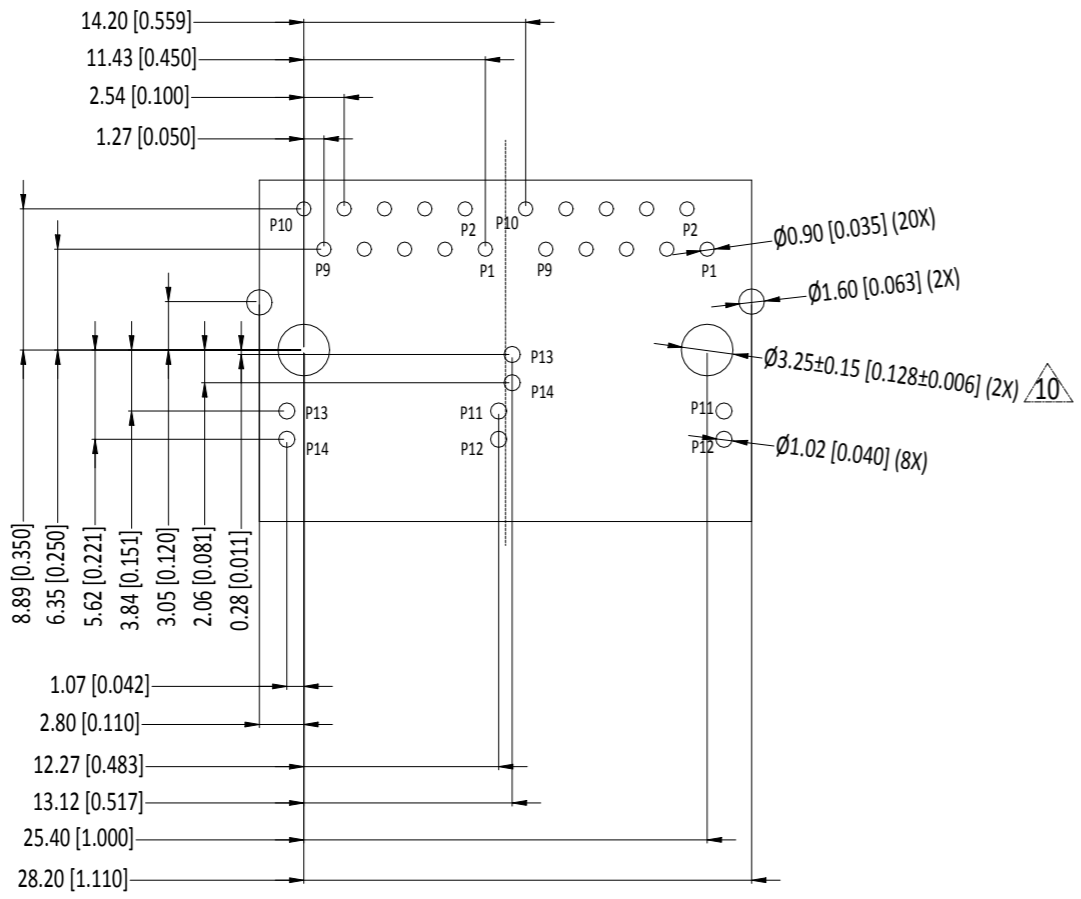


TABLE OF TOLERANCE (mm)	
RANGE	TOLERANCE
0-10	±0.15
>10-40	±0.25
>40-70	±0.30
>70	±0.40

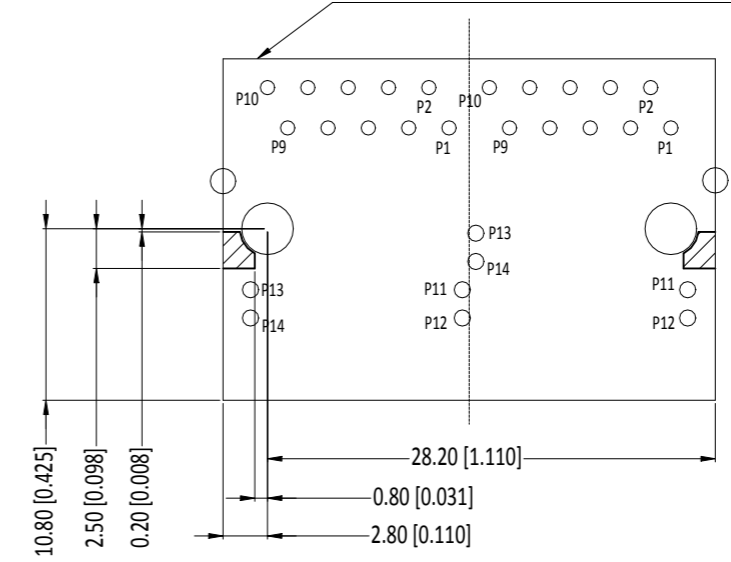
THIS DRAWING IS A CONTROLLED DOCUMENT.		DWN GANESH C M 12SEP2016	TE Connectivity Ltd.	
DIMENSIONS: mm [INCHES]		CHK MARTIN SZELAG 12SEP2016		
TOLERANCES UNLESS OTHERWISE SPECIFIED:		APVD FRANZ MUELLER 12SEP2016	NAME RJ45 JACK INT.MAG. 1Gb LED 1x2 INV.	
0 PLC ± - 1 PLC ± - 2 PLC ± - 3 PLC ± - 4 PLC ± - ANGLES ± -		PRODUCT SPEC 108-94552	-	
MATERIAL		APPLICATION SPEC 114-94447	SIZE A3	CAGE CODE 00779
FINISH		WEIGHT -	DRAWING NO C-2301996-7	RESTRICTED TO -
1		CUSTOMER DRAWING		SCALE 3:1
				SHEET 1 OF 3
				REV E1

P	LTR	DESCRIPTION	DATE	DWN	APVD
-	-	SEE SHEET 1	-	-	-

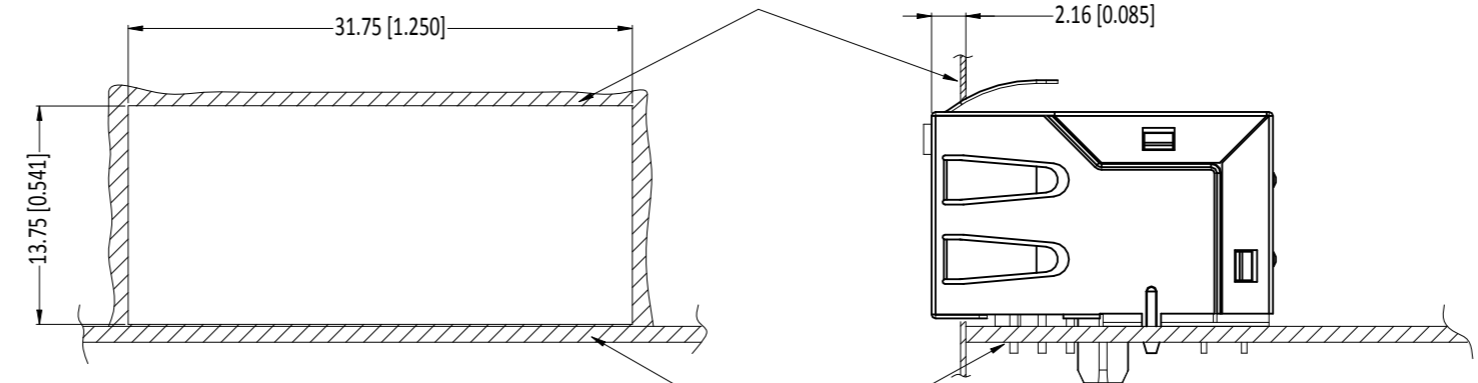
SUGGESTED PCB LAYOUT



Connector Boundary


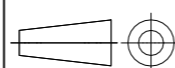


METAL PANEL



UNIT: mm / inch
 TOLERANCES: ±0.10 / 0.004
 ONLY FOR THIS VIEW

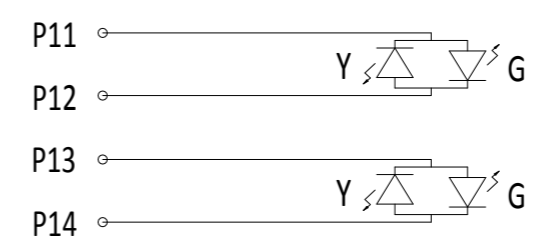
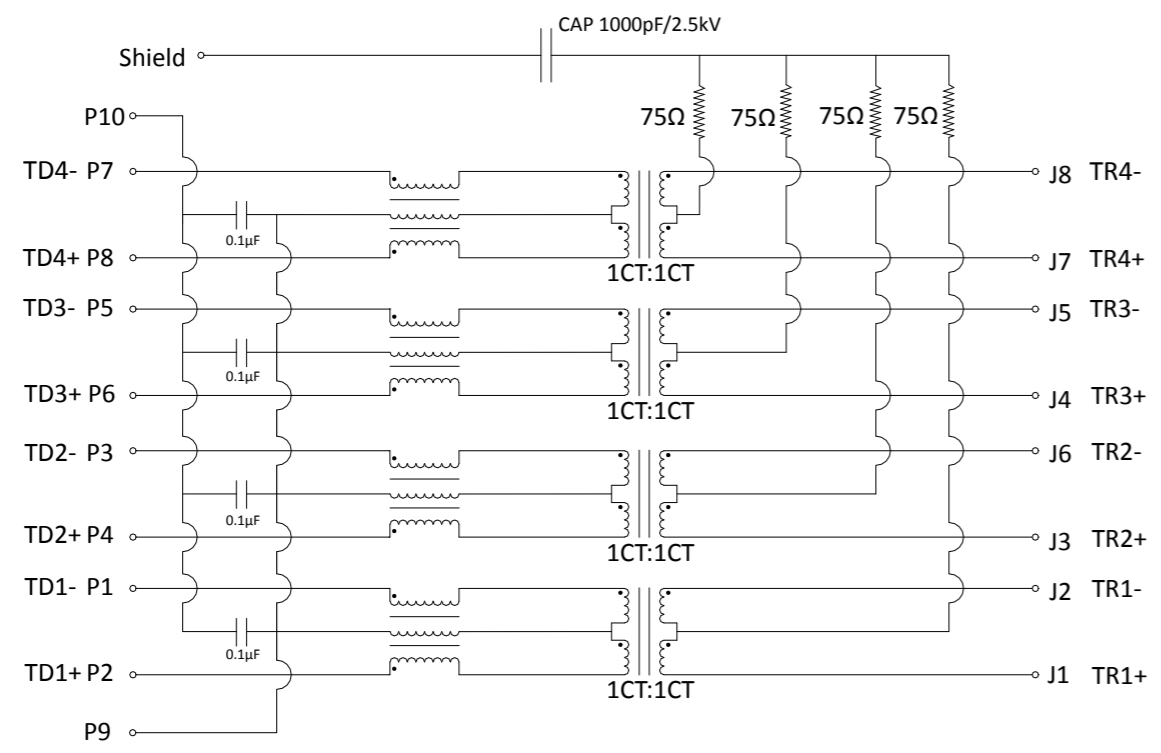
PCB

THIS DRAWING IS A CONTROLLED DOCUMENT.		DWN GANESH C M 12SEP2016	 TE Connectivity Ltd.	
DIMENSIONS: mm [INCHES]		CHK MARTIN SZELAG 12SEP2016		
TOLERANCES UNLESS OTHERWISE SPECIFIED:		APVD FRANZ MUELLER 12SEP2016	NAME RJ45 JACK INT.MAG. 1Gb LED 1x2 INV.	
0 PLC ± - 1 PLC ± - 2 PLC ± - 3 PLC ± - 4 PLC ± - ANGLES ± -		PRODUCT SPEC 108-94552	SIZE A3	
		APPLICATION SPEC 114-94447	CAGE CODE 00779	DRAWING NO C-2301996-7
MATERIAL 1		FINISH 1	WEIGHT -	RESTRICTED TO -
CUSTOMER DRAWING			SCALE 3:1	SHEET 2 OF 3
			REV E1	

REVISIONS

P	LTR	DESCRIPTION	DATE	DWN	APVD
-	-	SEE SHEET 1	-	-	-

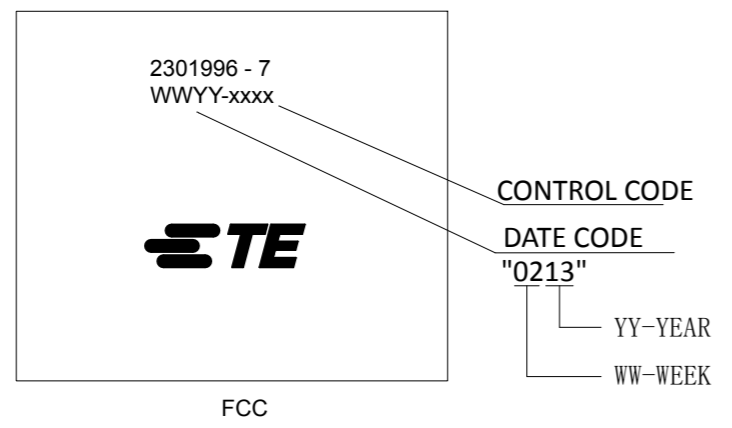
ELECTRICAL CIRCUIT DIAGRAM



PIN	YELLOW	GREEN	PIN	YELLOW	GREEN
P11	-	+	P13	-	+
P12	+	-	P14	+	-

PCB BONDED , V_F = 1.8V ~ 2.4V, I_F = 20mA

- TURN RATIO @100KHz: (P2~P1):(J1~J2) = 1:1±2%
(P4~P3):(J3~J6) = 1:1±2%
(P6~P5):(J4~J5) = 1:1±2%
(P8~P7):(J7~J8) = 1:1±2%
- PRIMARY INDUCTANCE: 350uH MIN @100KHZ,0.1V 8mA DC BIAS
- DC RESISTANCE: 1.2 OHMS MAX.
- INSERTION LOSS: 1-100MHz -1.0dB MAX.
100-125MHz -1.2dB MAX.
- RETURN LOSS: 1-40MHz -16dB MIN. (@40MHz -17.0dB TYP)
40-100MHz -10dB+20log(f/80MHz) MIN.
(@100MHz -9.0dB TYP)
- CROSS TALK: 1-100MHz -30dB MIN.
- COMMON TO COMMON MODE ATTENUATION: 1-100MHz -30dB MIN.
- ISOLATION: PHY SIDE TO LINE SIDE: 2250VDC



THIS DRAWING IS A CONTROLLED DOCUMENT.		DWN GANESH C M 12SEP2016	TE Connectivity Ltd.																
DIMENSIONS: mm [INCHES]		CHK MARTIN SZELAG 12SEP2016																	
TOLERANCES UNLESS OTHERWISE SPECIFIED:		APVD FRANZ MUELLER 12SEP2016	NAME RJ45 JACK INT.MAG. 1Gb LED 1x2 INV.																
<table border="0"> <tr><td>0 PLC</td><td>± -</td><td rowspan="5">7</td></tr> <tr><td>1 PLC</td><td>± -</td></tr> <tr><td>2 PLC</td><td>± -</td></tr> <tr><td>3 PLC</td><td>± -</td></tr> <tr><td>4 PLC</td><td>± -</td></tr> <tr><td>ANGLES</td><td>± -</td><td></td></tr> </table>		0 PLC	± -	7	1 PLC	± -	2 PLC	± -	3 PLC	± -	4 PLC	± -	ANGLES	± -		PRODUCT SPEC 108-94552	RESTRICTED TO		
0 PLC	± -	7																	
1 PLC	± -																		
2 PLC	± -																		
3 PLC	± -																		
4 PLC	± -																		
ANGLES	± -																		
MATERIAL		APPLICATION SPEC 114-94447	SIZE A3	CAGE CODE 00779	DRAWING NO C-2301996-7														
FINISH		WEIGHT -	SCALE 3:1																
CUSTOMER DRAWING		SHEET 3 OF 3		REV E1															