

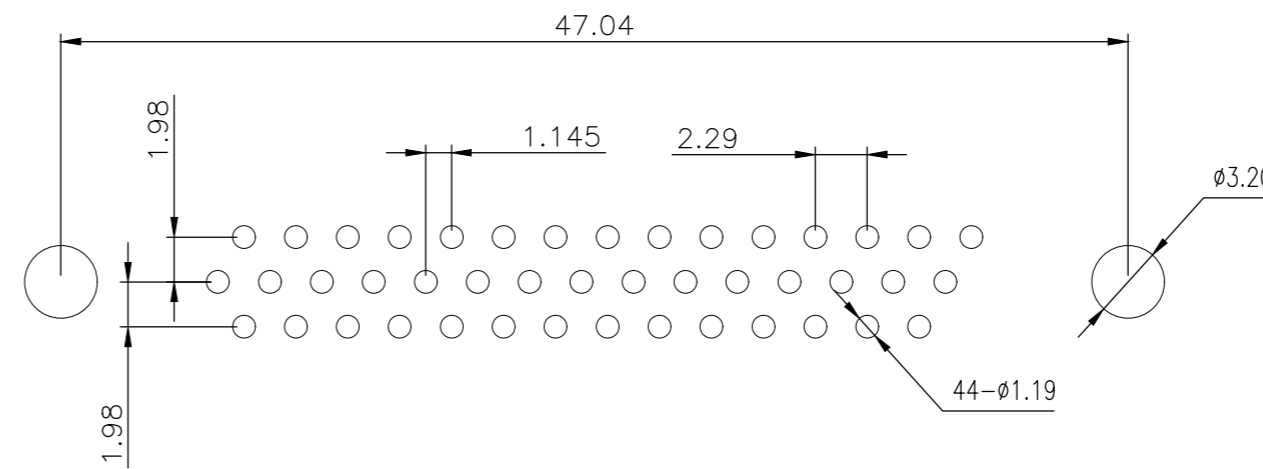
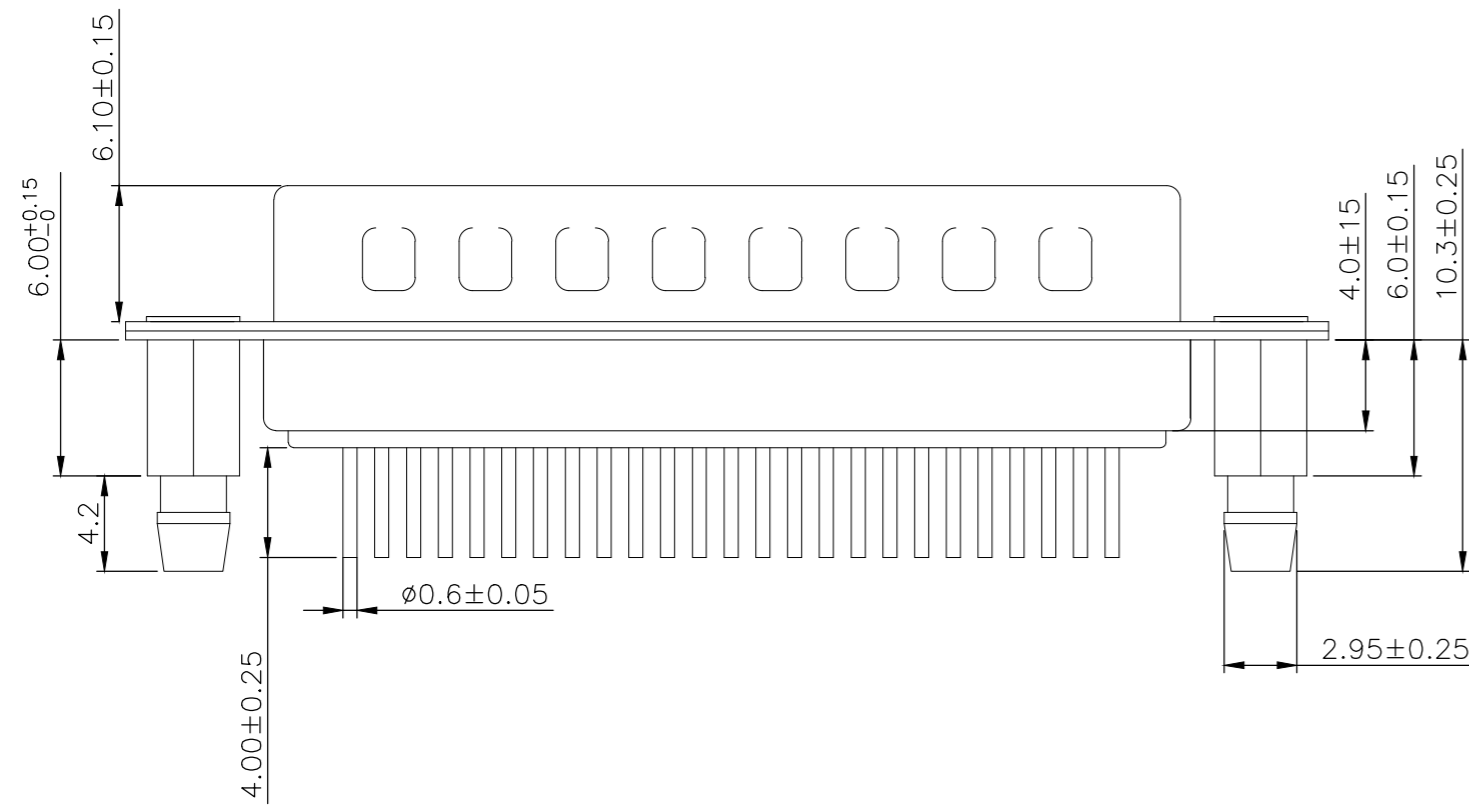
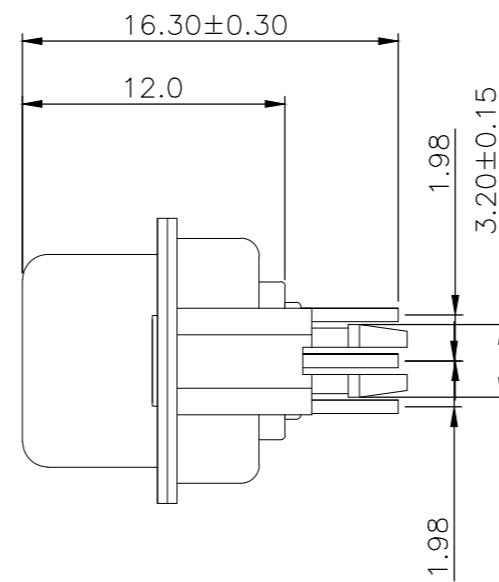
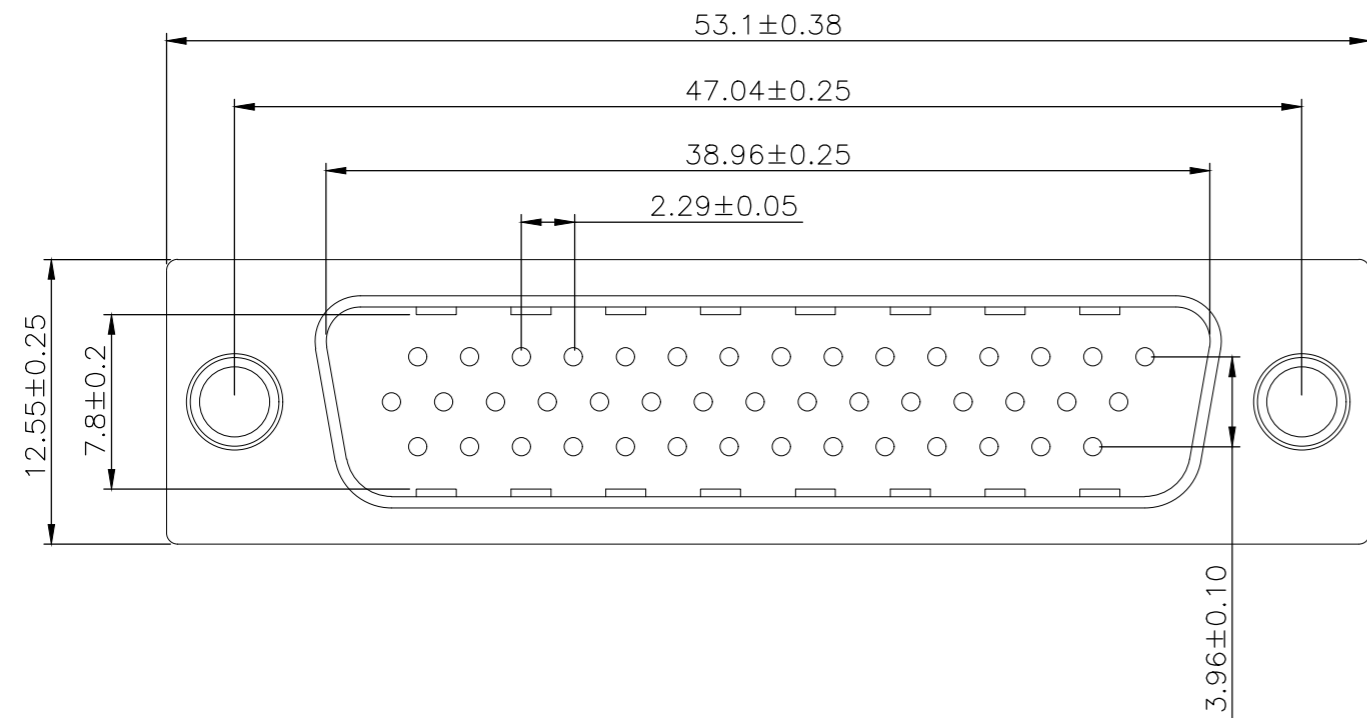
REVISIONS				
P	LTR	DESCRIPTION	DATE	APVD
D		REVISED PER ECO-18-001882	13FEB2018	AP DG

NOTE:

- MATERIAL:
 HOUSING: PBT WITH 20% GF UL 94 V-0, BLACK COLOR
 CONTACTS: BRASS.
 SHELL: STEEL.
 SCREW: BRASS.
 SCREW LOCK: BRASS.
 SCREW TORQUE: 5kgf-cm MAX.

- FINISH:
 CONTACTS: GOLD PLATED ON CONTACT AREA,
 0.375μm [15μ"] MIN. MATTE TIN ON SOLDER TAIL
 2.54μm [100μ"], WITH ENTIRE CONTACT
 UNDERPLATED 1.27μm [50μ"] MIN. NICKEL.
 FRONT SHELL: 2.54μm [100μ"] MIN. NICKEL PLATED.
 REAR SHELL: 1.27μm [50μ"] MIN NICKEL UNDERPLATE.
 2.54μm [100μ"] MIN BRIGHT TIN PLATE
 SCREW LOCK: 1.27μm [50μ"] MIN. NICKEL PLATED.
 BOARDLOCK: 1.27μm [50μ"] MIN NICKEL UNDERPLATE.
 1.27μm [50μ"] MIN MATTE TIN PLATE.

- WAVE SOLDER CAPABLE TO 265°C PER TE TEST SPEC.
 109-202, CONDITION B.



P. C. B LAYOUT

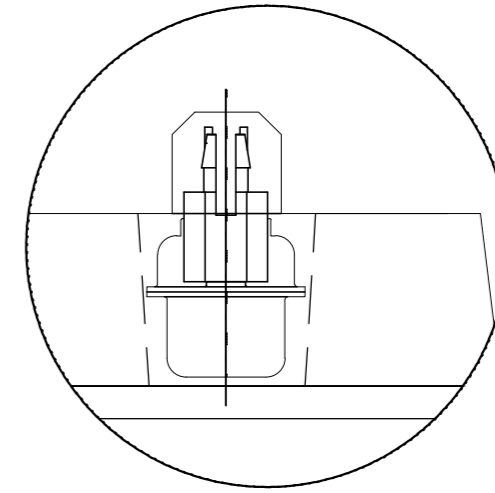
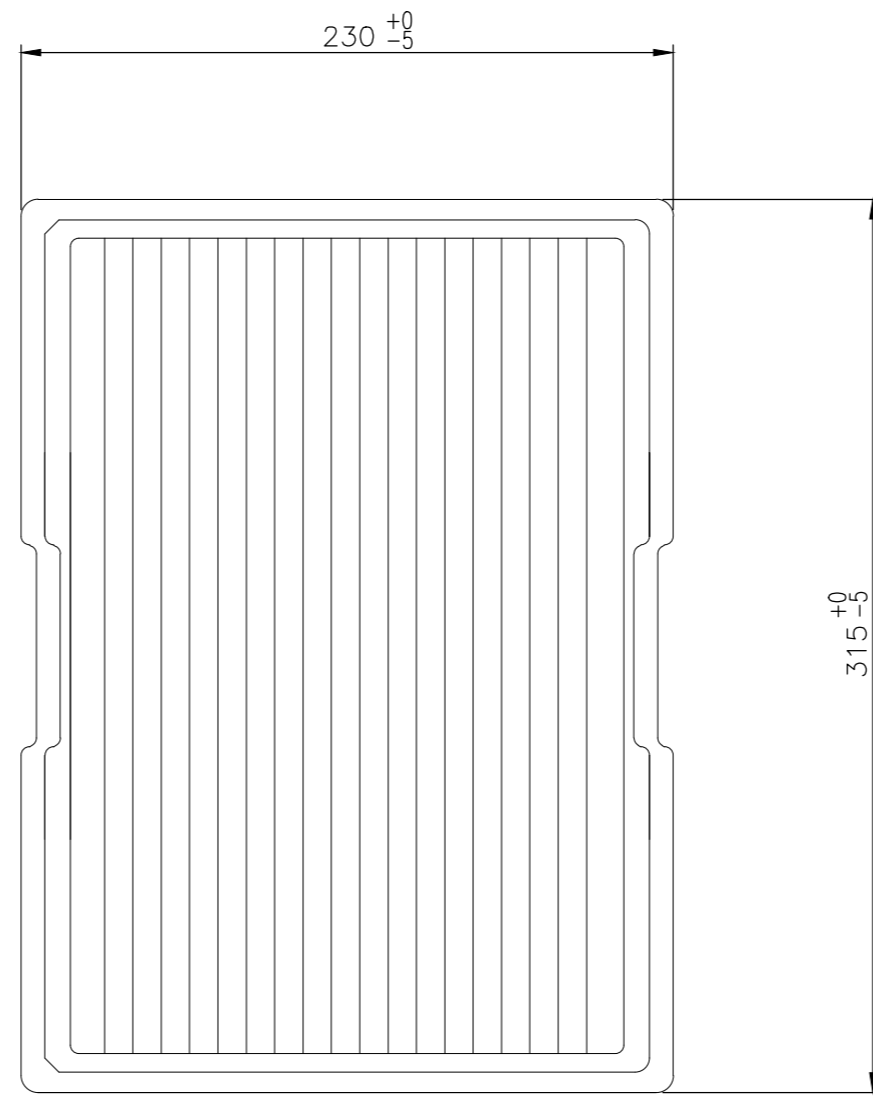
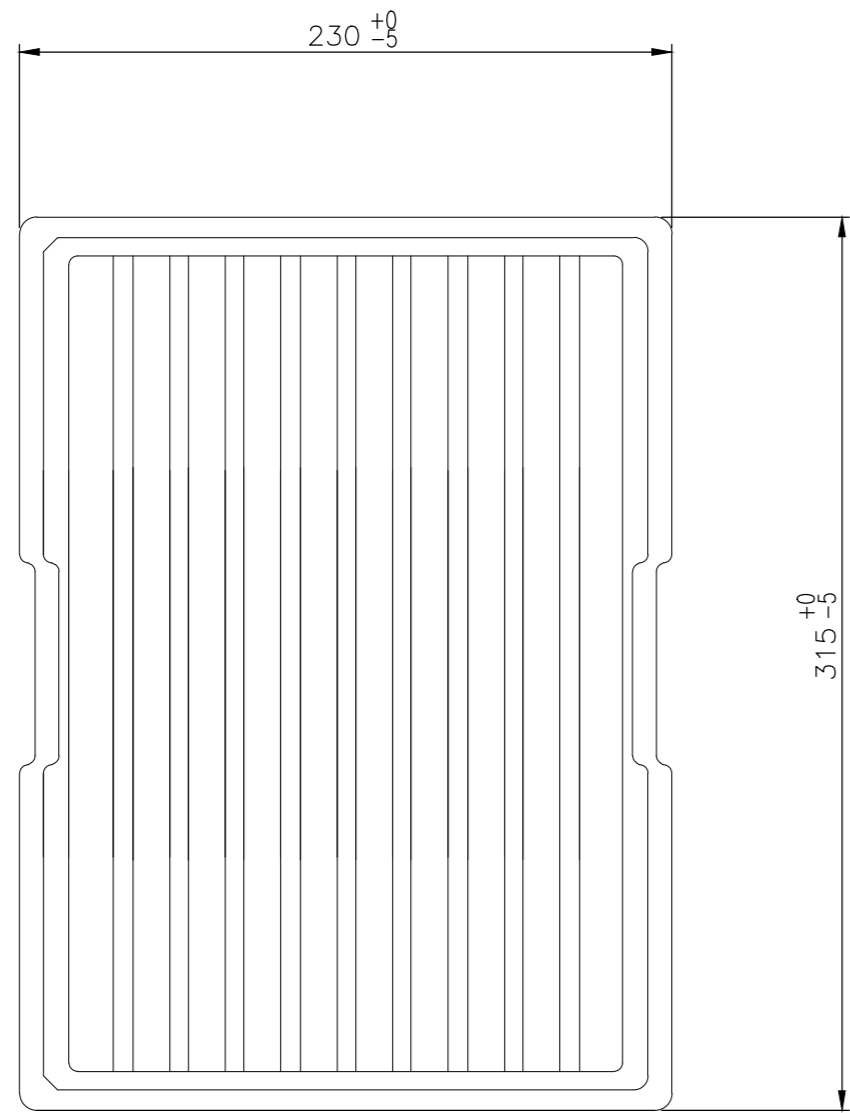
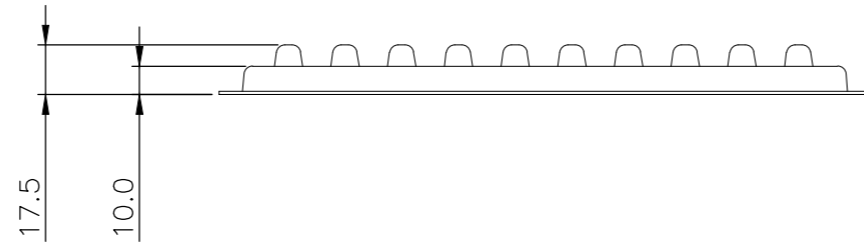
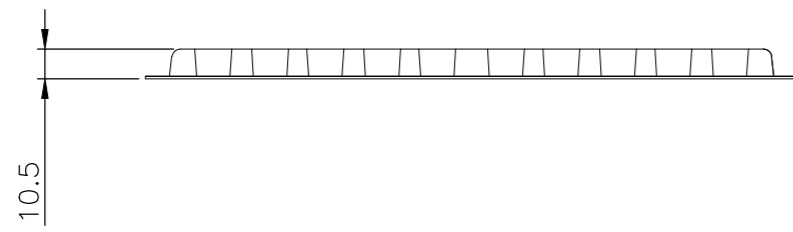
2301847

44w D Plg W 4-40 Inserts only, 15u" Gold		2301847-1
DESCRIPTION		TE PART NO
TE TE Connectivity		
D-SUB VERTICAL 44 POSITION PLUG CONNECTOR		
SIZE	CAGE CODE	DRAWING NO
A2	00779	C=2301847
RESTRICTED TO	SCALE	SHEET
-	3:1	1 of 3
REV	D	

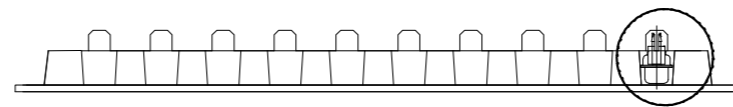
THIS DRAWING IS A CONTROLLED DOCUMENT.		DWN	AJITH PAI	07FEB2017
		CHK	DAN GORENC	07FEB2017
		APVD	-	07FEB2017
DIMENSIONS:		PRODUCT SPEC		
mm	TOLERANCES UNLESS OTHERWISE SPECIFIED:	108-130013		
	0 PLC ± -	APPLICATION SPEC		
	1 PLC ± 0.25	WEIGHT		
	2 PLC ± 0.20	0		
	3 PLC ± -	CUSTOMER DRAWING		
	4 PLC ± -			
	ANGLES ± -			
MATERIAL	FINISH			
-	-			

THIS DRAWING IS UNPUBLISHED. RELEASED FOR PUBLICATION
 © COPYRIGHT - By - ALL RIGHTS RESERVED.

REVISIONS				
P	LTR	DESCRIPTION	DATE	APVD
-	-	SEE SHEET 1	-	-



DETAIL A

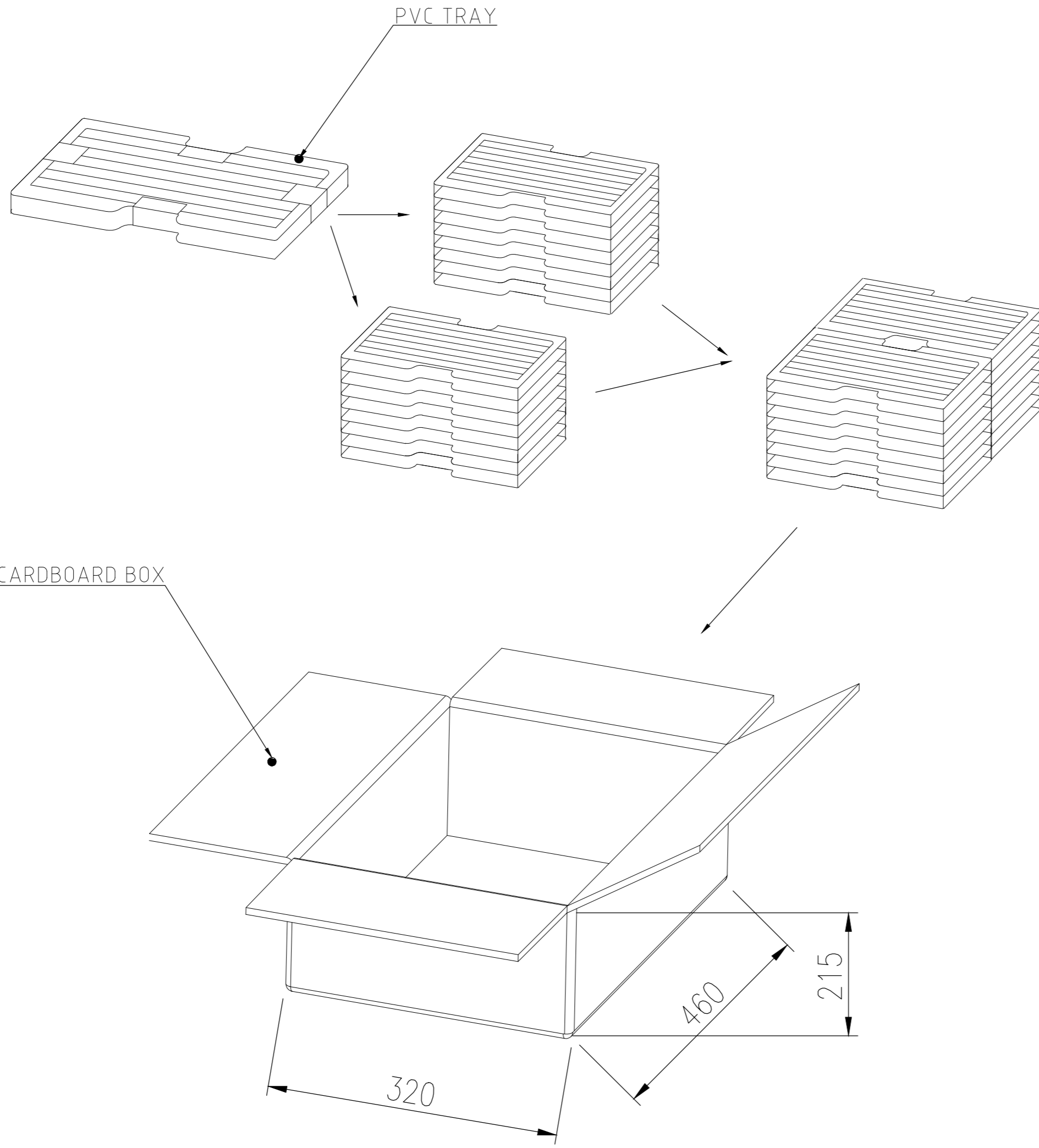


SEE DETAIL A

THIS DRAWING IS A CONTROLLED DOCUMENT.		DWN AJITH PAI 07FEB2017		
DIMENSIONS: mm		CHK DAN GORENC 07FEB2017		
TOLERANCES UNLESS OTHERWISE SPECIFIED:		APVD - 07FEB2017	NAME D-SUB VERTICAL 44 POSITION PLUG CONNECTOR	
0 PLC ± - 1 PLC ± 0.25 2 PLC ± 0.20 3 PLC ± - 4 PLC ± - ANGLES ± -		PRODUCT SPEC 108-130013	SIZE A2	CAGE CODE 00779
MATERIAL -		FINISH -	DRAWING NO C=2301847	RESTRICTED TO -
CUSTOMER DRAWING		WEIGHT 0	SCALE 1:1	SHEET 2 of 3
		REV D		

THIS DRAWING IS UNPUBLISHED. RELEASED FOR PUBLICATION
 © COPYRIGHT - By - ALL RIGHTS RESERVED.

REVISIONS					
P	LTR	DESCRIPTION	DATE	DWN	APVD
-	-	SEE SHEET 1	-	-	-



12.829	10.250	50	20	1000	2301847-1
GROSS WEIGHT (Kg)	NET WEIGHT (Kg)	PCS/TRAY	TRAYS /CARTON	QUANTITY PCS	PART NUMBER

THIS DRAWING IS A CONTROLLED DOCUMENT.		DWN 07FEB2017 AJITH PAI			
DIMENSIONS: mm		CHK 07FEB2017 DAN GORENC			
TOLERANCES UNLESS OTHERWISE SPECIFIED:		APVD 07FEB2017 -	NAME		
0 PLC ± -		PRODUCT SPEC	D-SUB VERTICAL		
1 PLC ± 0.25		108-130013	44 POSITION PLUG CONNECTOR		
2 PLC ± 0.20		APPLICATION SPEC	-		
3 PLC ± -		WEIGHT 0	SIZE A2	CAGE CODE 00779	DRAWING NO C=2301847
4 PLC ± -		MATERIAL -	RESTRICTED TO		-
ANGLES ± -		FINISH -	SCALE 1:1		SHEET 3 OF 3
MATERIAL -		FINISH -	CUSTOMER DRAWING		REV D