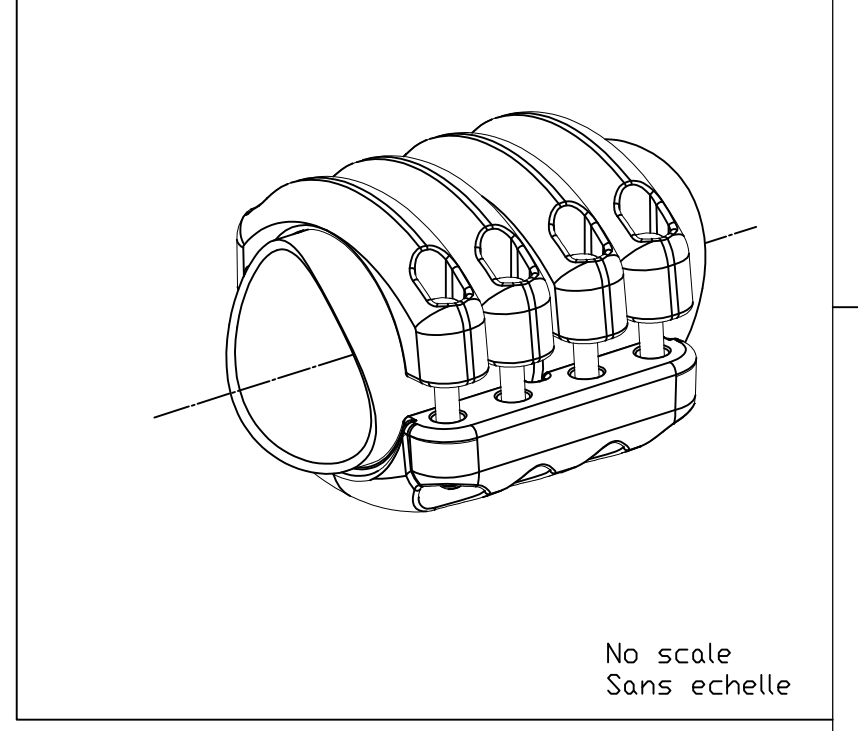
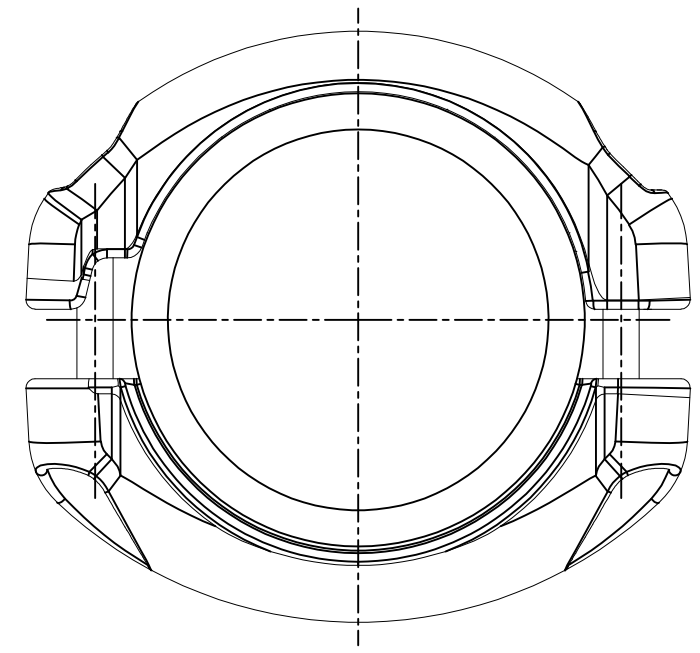
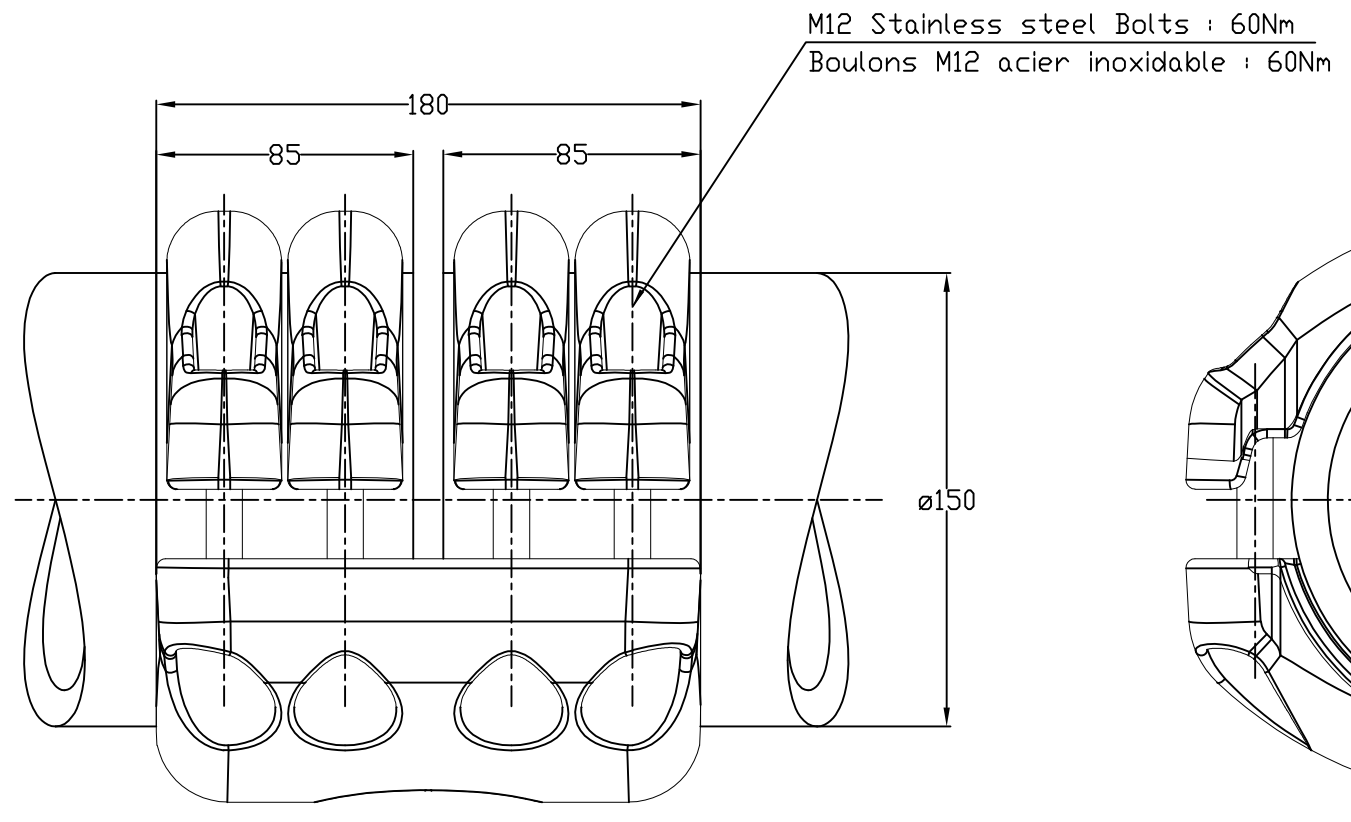


THIS DRAWING IS UNPUBLISHED.      RELEASED FOR PUBLICATION      - . - .  
 © COPYRIGHT - By -      ALL RIGHTS RESERVED.

REVISIONS					
P	LTR	DESCRIPTION	DATE	DWN	APVD
	A	CREATION	15-Mar-16	JPM	-



ITEM:.....

THIS DRAWING IS A CONTROLLED DOCUMENT.		DWN	15-Mar-16		 <b>STE</b> TE Connectivity
		CHK	-		
		APVD	-		
		PRODUCT SPEC	-		
DIMENSIONS:	TOLERANCES UNLESS OTHERWISE SPECIFIED:	APPLICATION SPEC	108-69090-001		NAME
mm					BUS JUNCTION FOR TUBE $\phi 150$ JONCTION POUR TUBE $\phi 150$ 5 TJ 82 T150
	0 PLC $\pm -$ 1 PLC $\pm -$ 2 PLC $\pm -$ 3 PLC $\pm -$ 4 PLC $\pm -$ ANGLES $\pm -$		SIZE	CAGE CODE	DRAWING NO
MATERIAL	FINISH	WEIGHT	A3	00779	C=2301628
-	-	5.3 kg	CUSTOMER DRAWING		RESTRICTED TO
			SCALE	SHEET	REV
			2/5	1 OF 1	A