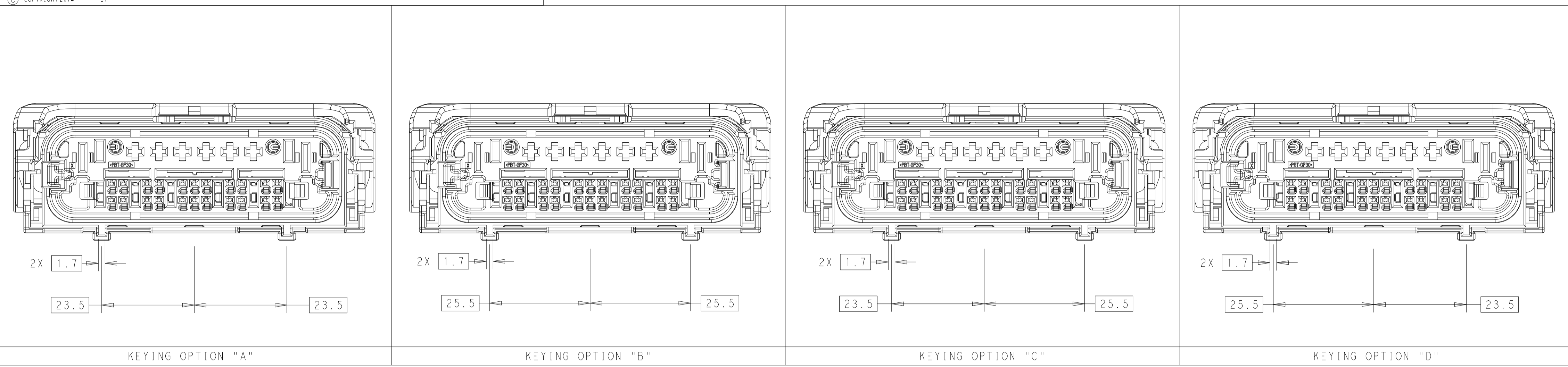
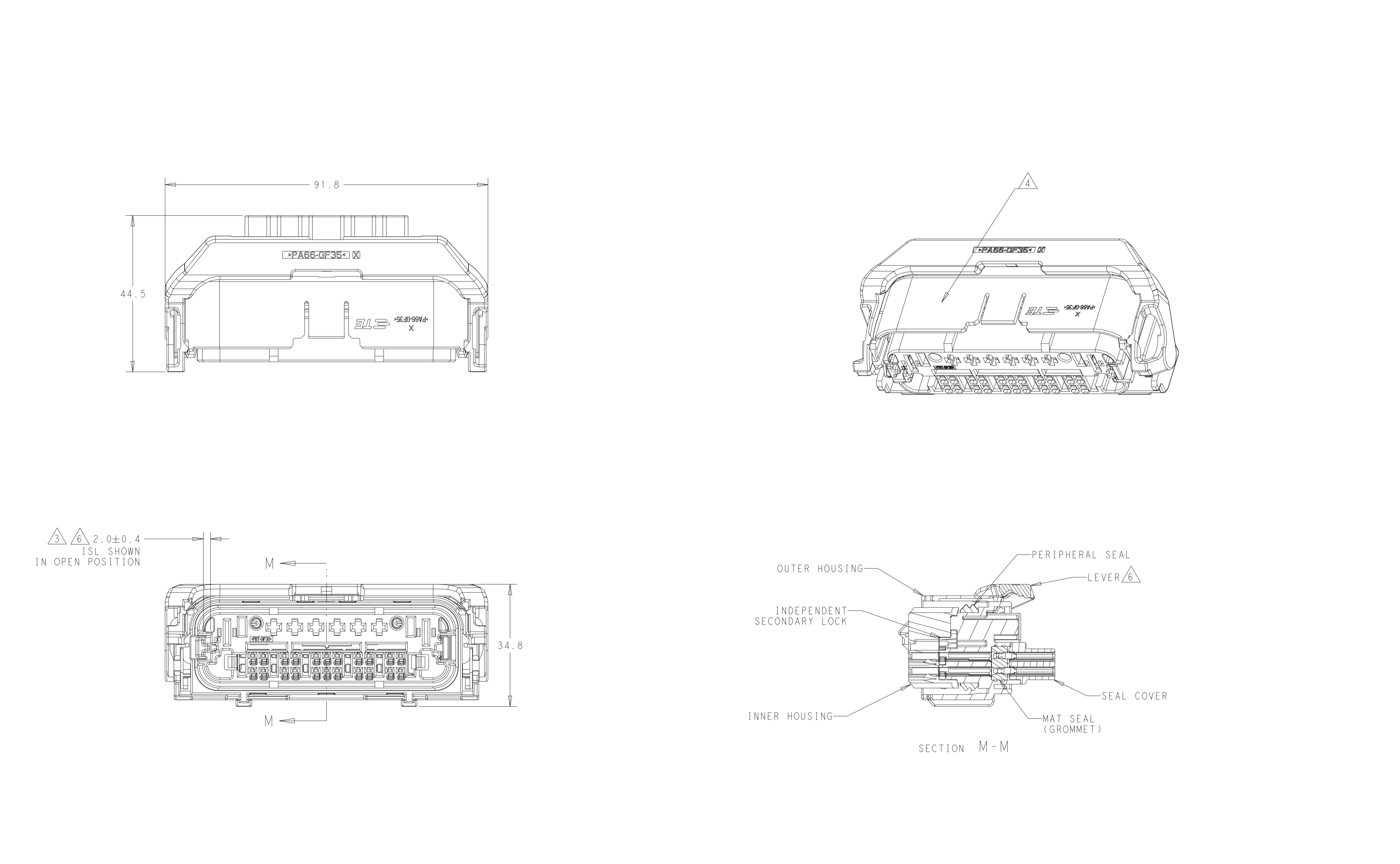


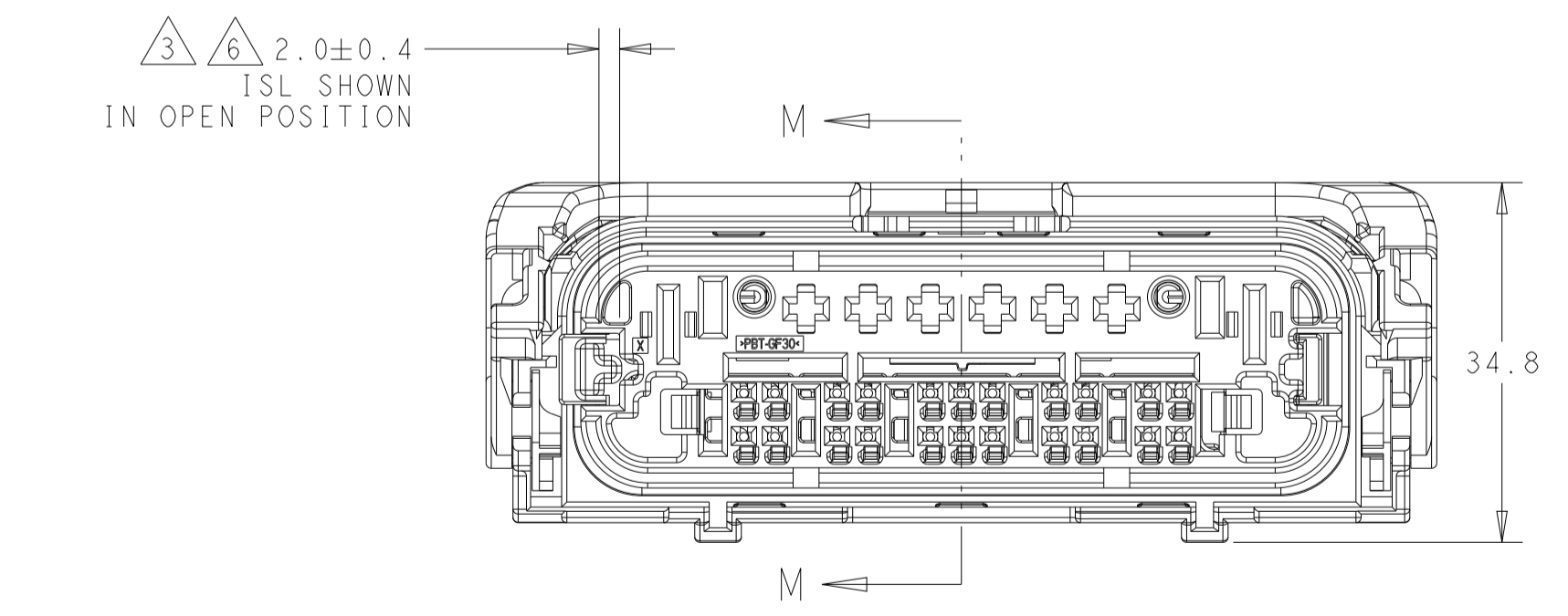
REVISIONS				
P	LTN	DESCRIPTION	DATE	APPD
C13	REV PER ECN-23-213135		22MAY2023	CN GK
C14	REV PER ECN-23-222323		18JUL2023	CN GK
C15	REV PER ECN-23-225107		04AUG2023	CN GK
C16	REV PER ECN-24-250109		31JAN2024	CN CN



- NOTES:
- MATERIAL:  
 INNER HOUSING-PBT, 30% GLASS FILLED, BLACK  
 OUTER HOUSING-NYLON 6/6, 35% GLASS FILLED, SEE TABLE FOR COLOR  
 PERIPHERAL SEAL-SILICONE RUBBER, INHERENTLY LUBRICATED, GREEN  
 MAT SEAL-SILICONE RUBBER, INHERENTLY LUBRICATED, LT BLUE  
 SEAL COVER-PBT, 15% GLASS FILLED, BLACK  
 ISL-PBT, 30% GLASS FILLED, LT GRAY  
 LEVER-NYLON 6/6, 35% GLASS FILLED, LT GRAY
  - 2301462-1 SHOWN IN GENERAL VIEWS.
  - ISL SHOWN IN PRE-SET, SHIPPING POSITION.
  - JULIAN DATE CODE (YYDD HH:MM:SS) AND ASSEMBLY PART NUMBER (XXXXXX-X) MARKED IN APPROXIMATE LOCATION.
  - MATES WITH TE PLUG ASSEMBLY: 2301461-X
  - IF SEATED IN SHIPPING, SEE INSTRUCTION SHEET 408-32159 FOR INSTRUCTIONS TO RETURN TO SHIPPING POSITION.



APPLICABLE COMPONENTS				
TERMINALS				
CIRCUITS	TERMINAL	MIN WIRE SIZE	MAX WIRE SIZE	PART #
1 AND 8	MCP 6.3	0.5mm <sup>2</sup>	1.0mm <sup>2</sup>	1241412-1
		>1.0mm <sup>2</sup>	2.5mm <sup>2</sup>	1241414-1
		>2.5mm <sup>2</sup>	4.0mm <sup>2</sup>	1241416-1
2 - 7	MCP 2.8	0.5mm <sup>2</sup>	1.0mm <sup>2</sup>	1-968855-1
		1.5mm <sup>2</sup>	2.5mm <sup>2</sup>	1-968857-1
9 - 30	MCON 1.2	0.35mm <sup>2</sup>		1534594-1
		0.5mm <sup>2</sup>	0.75mm <sup>2</sup>	1670144-1
WIRE SEALS				
CIRCUITS	TERMINAL	MIN WIRE O.D.	MAX WIRE O.D.	PART #
1 AND 8	MCP 6.3	1.4	2.0	2177018-1
		2.0	2.7	1394511-1
		2.7	3.0	1823111-1
		3.4	3.7	1394512-1
		4.0	4.5	1719043-1
2 - 7	MCP 2.8	1.4	2.0	828904-1
		2.2	3.0	828905-1
CAVITY PLUGS				
CIRCUITS	TERMINAL	PART #		
1 AND 8	MCP 6.3	967652-1		
2 - 7	MCP 2.8	828922-1		
9 - 30	MCON 1.2	2304518-1		



THIS DRAWING IS A CONTROLLED DOCUMENT. OWN: R. HETRICK 18APR2016  
 CHK: R. HETRICK 18APR2016  
 APVD: R. HETRICK 18APR2016

STC TE Connectivity

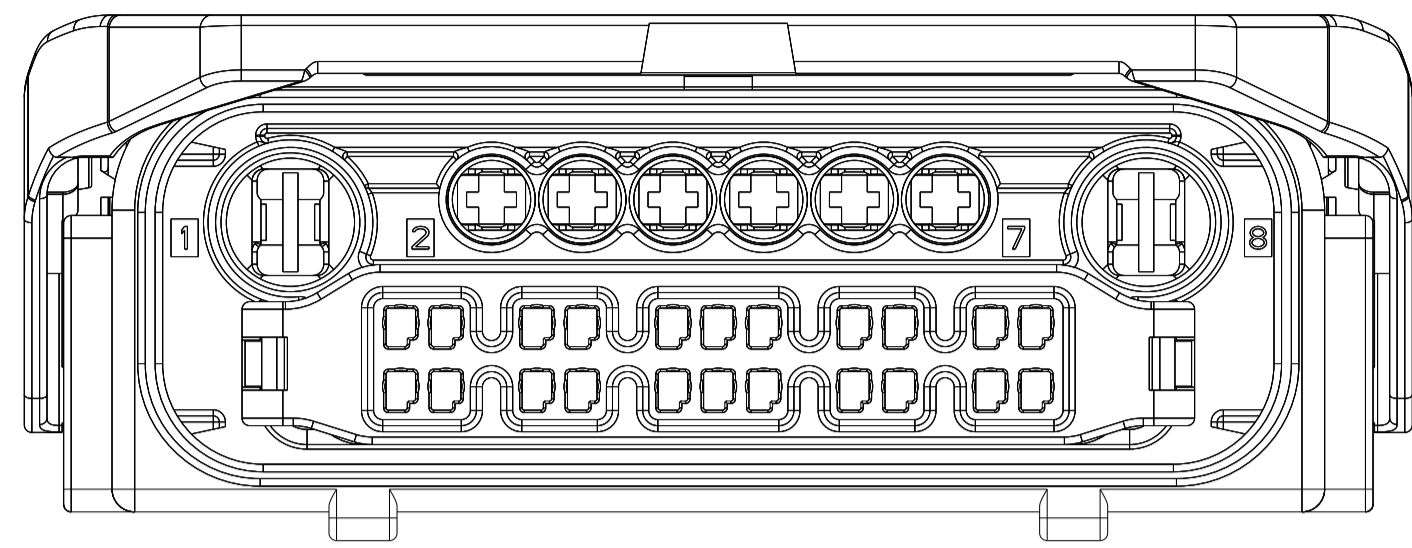
NAME: 30P SEALED HYBRID PLUG ASSEMBLY

PRODUCT SPEC: -  
 APPLICATION SPEC: -

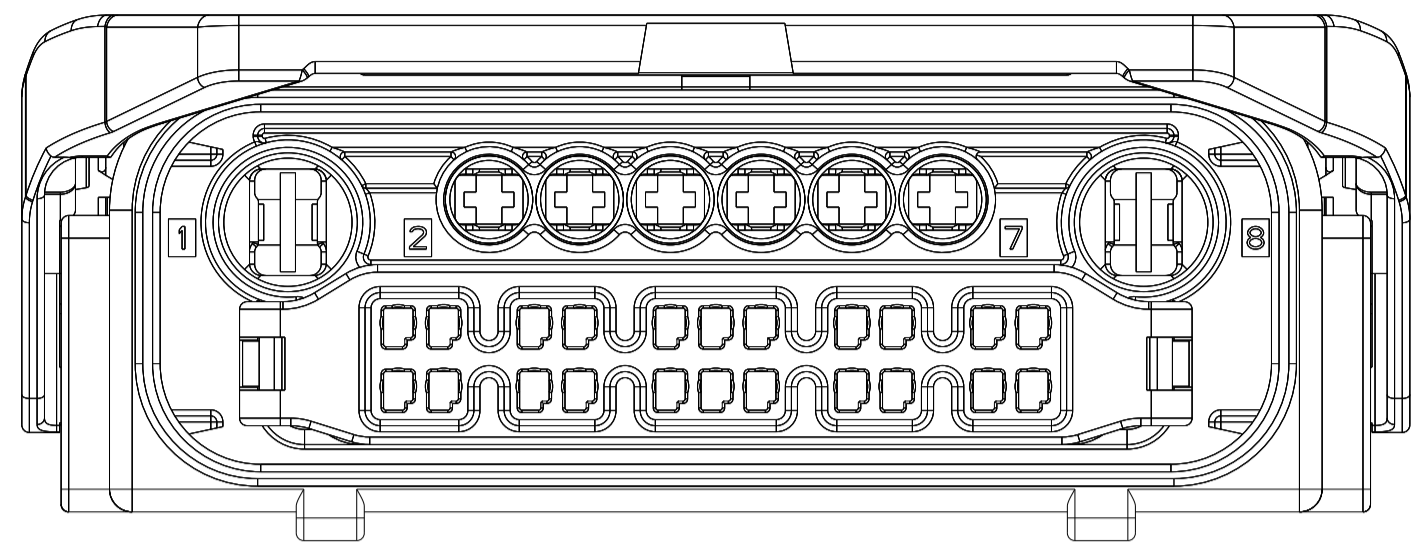
SIZE: A1 CAGE CODE: - DRAWING NO: C=2301462 RESTRICTED TO: -  
 WEIGHT: - SCALE: 3:2 SHEET 1 OF 5 REV: C16

CUSTOMER DRAWING

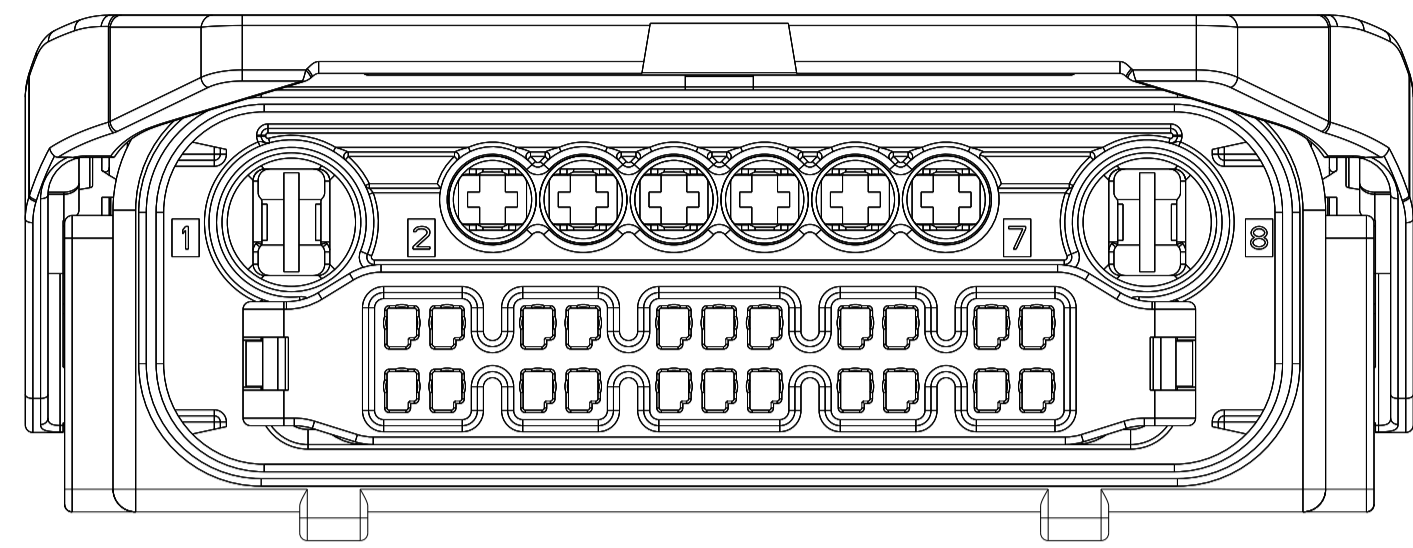
REVISIONS				
P	LTM	DESCRIPTION	DATE	OWN APVD
-	-	SEE SHEET 1	-	-
-	-	-	-	-
-	-	-	-	-



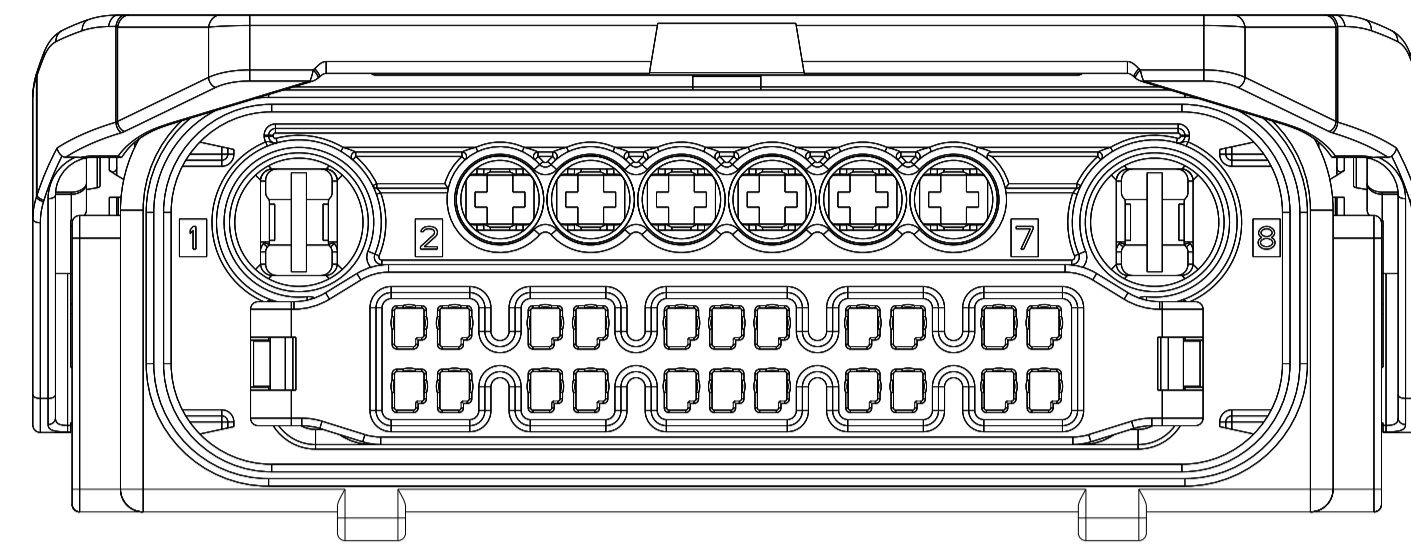
2301462-1  
KEY A - BLACK



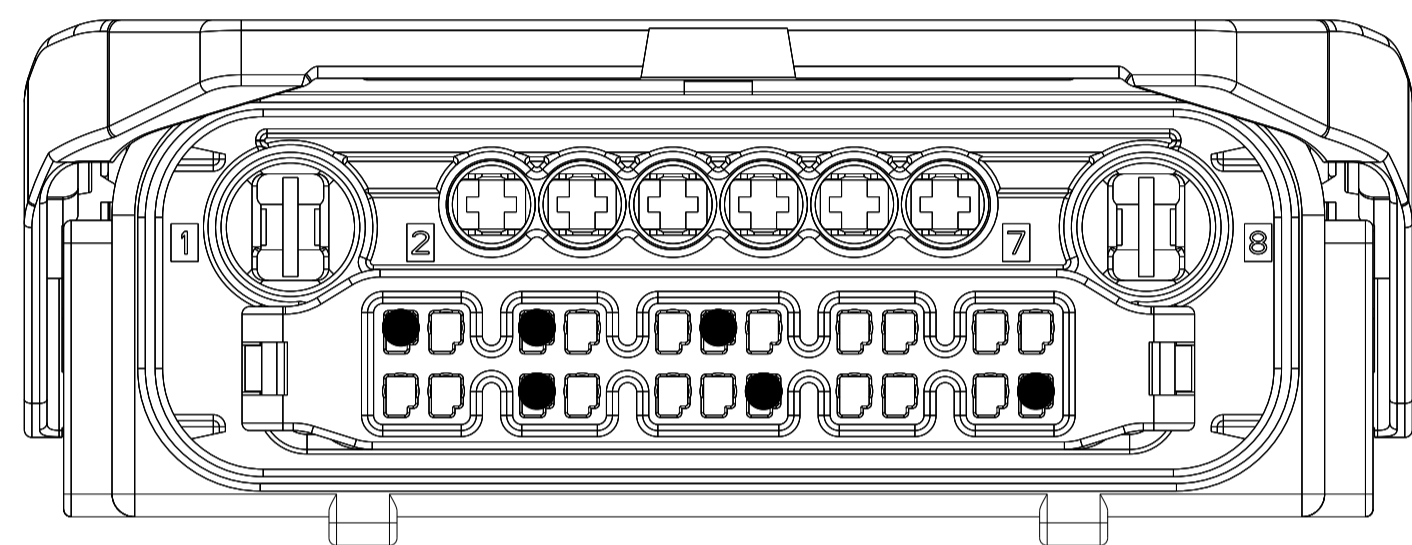
2301462-2  
KEY B - LT GRAY



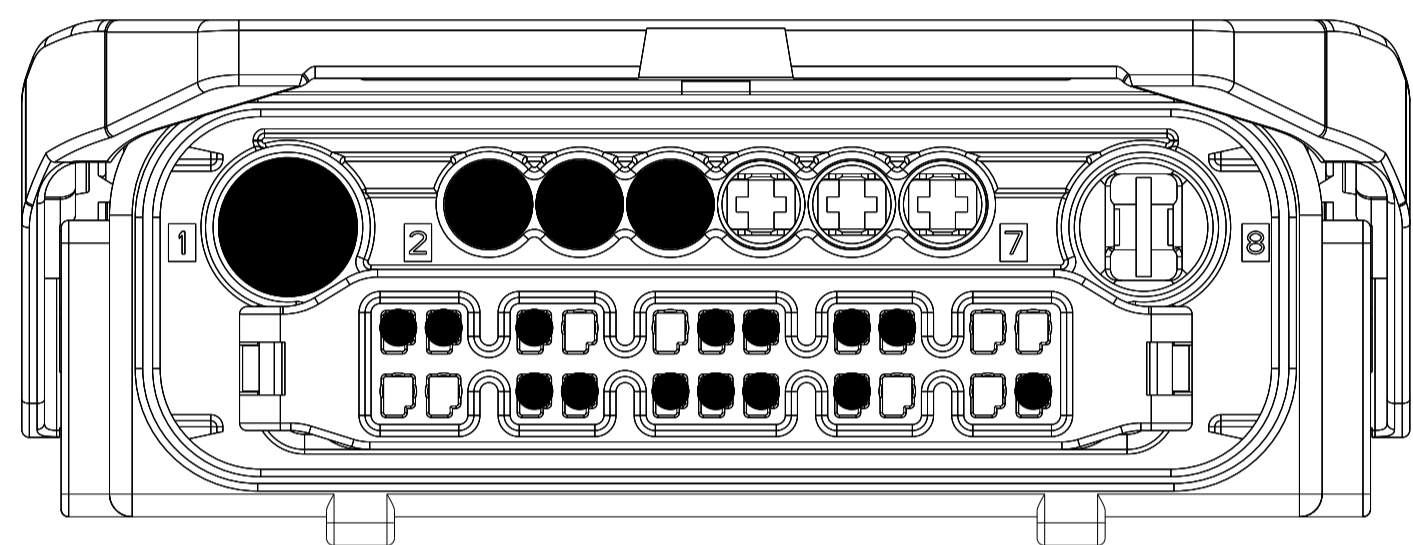
2301462-3  
KEY C - DK GRAY



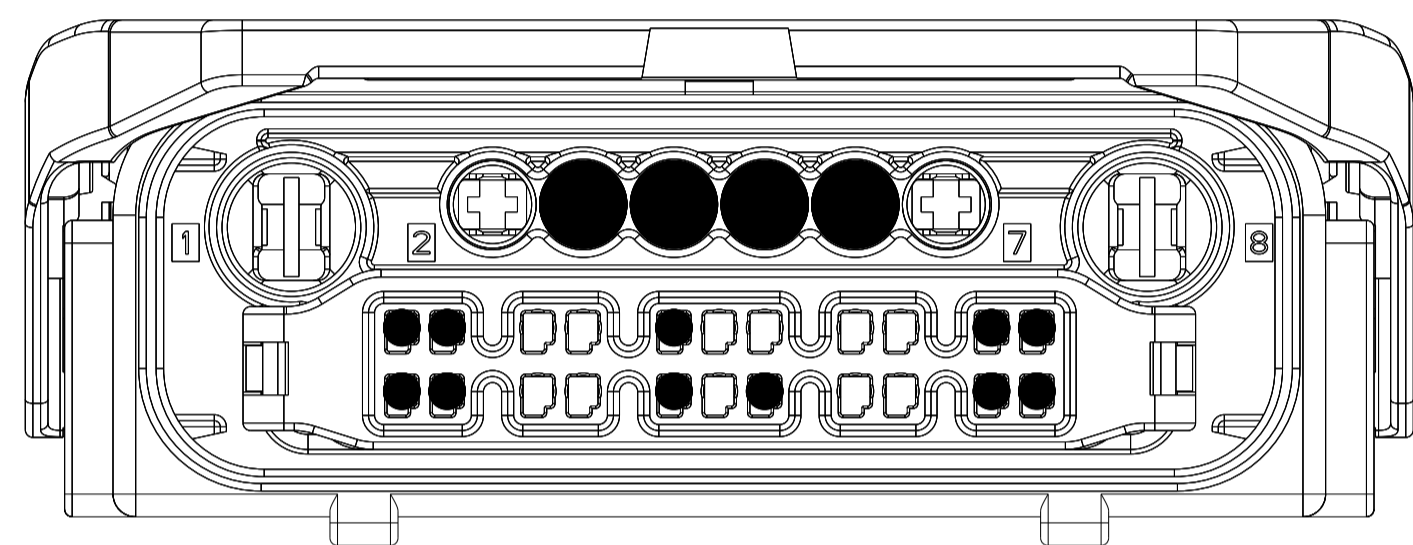
2301462-4  
KEY D - BLACK



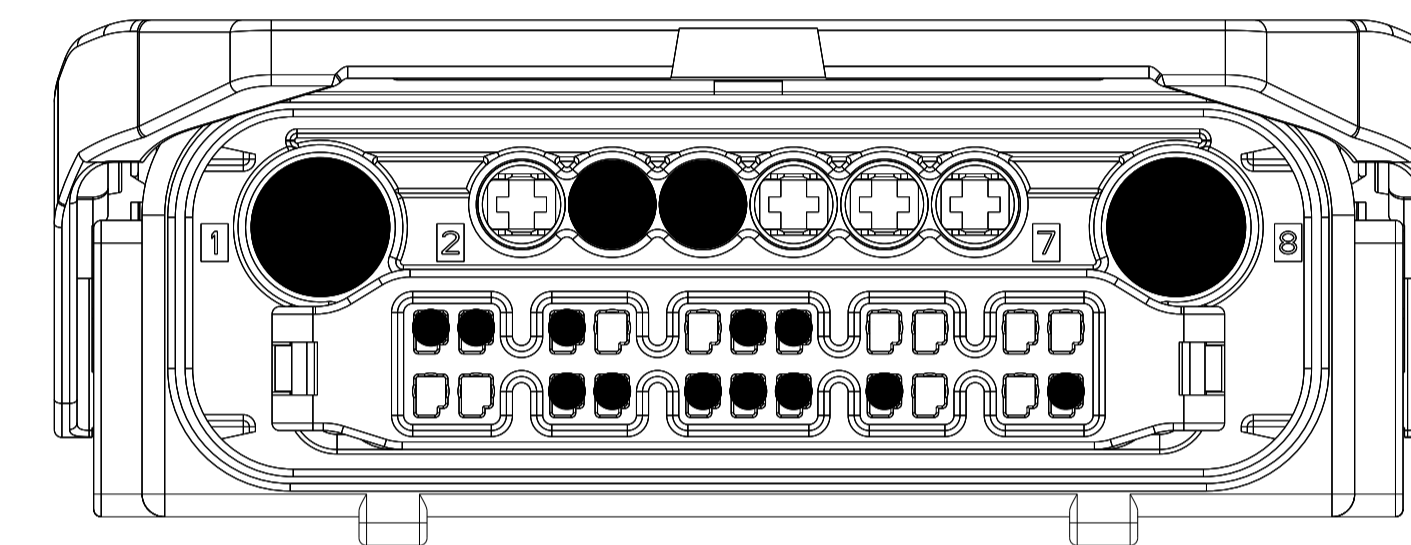
2301462-5  
KEY A - BLACK



2301462-6  
KEY A - BLACK



2301462-7  
KEY A - BLACK



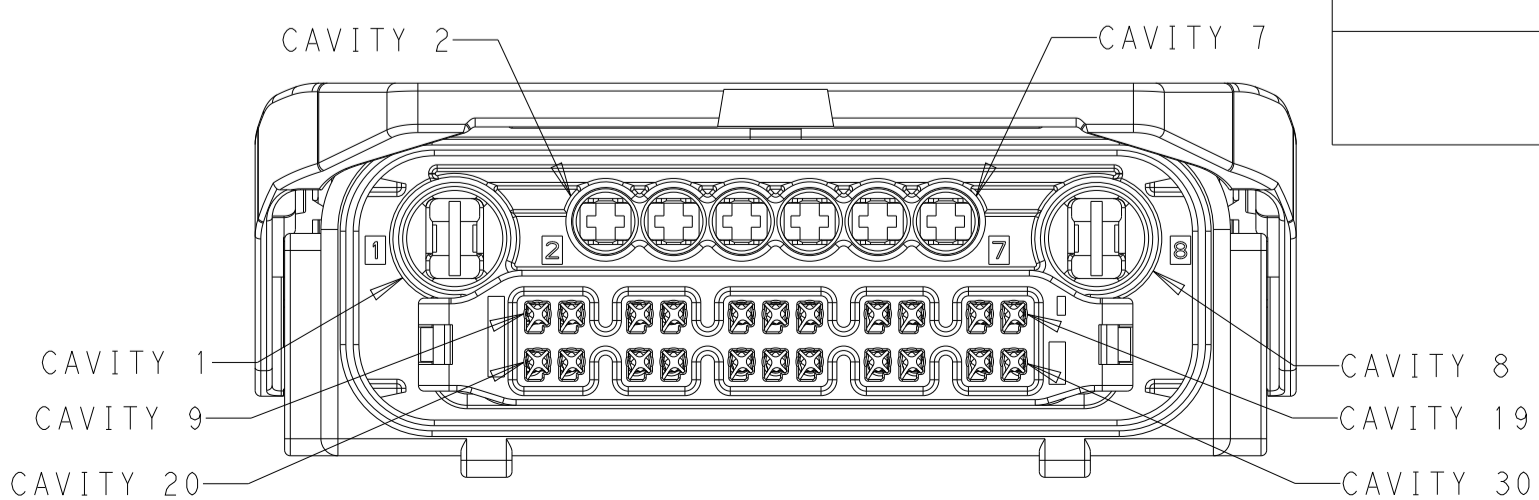
2301462-8  
KEY A - BLACK

CIRCUITS WITH SHADED CIRCLES ARE BLOCKED

TOOLING STATUS	30	29	28	27	26	25	24	23	22	21	20	19	18	17	16	15	14	13	12	11	10	9	8	7	6	5	4	3	2	1	KEY	COLOR	ASSEMBLY PART #
TOOLED																														A	BLACK	2301462-8	
TOOLED																														A	BLACK	2301462-7	
TOOLED																														A	BLACK	2301462-6	
TOOLED																														A	BLACK	2301462-5	
TOOLED																														D	BLACK	2301462-4	
TOOLED																														C	DK GRAY	2301462-3	
TOOLED																														B	LT GRAY	2301462-2	
TOOLED																														A	BLACK	2301462-1	

TERMINAL HOLE POSITION  
 CAVITIES WITH A NUMERIC SYMBOL INDICATES CLOSED TERMINAL LOCATION  
 BLANK CAVITIES INDICATES OPEN TERMINAL HOLE LOCATIONS

PIN OUT CHART



THIS DRAWING IS A CONTROLLED DOCUMENT. OWN: R. HETRICK 18APR2016  
 CHK: R. HETRICK 18APR2016  
 APVD: R. HETRICK 18APR2016

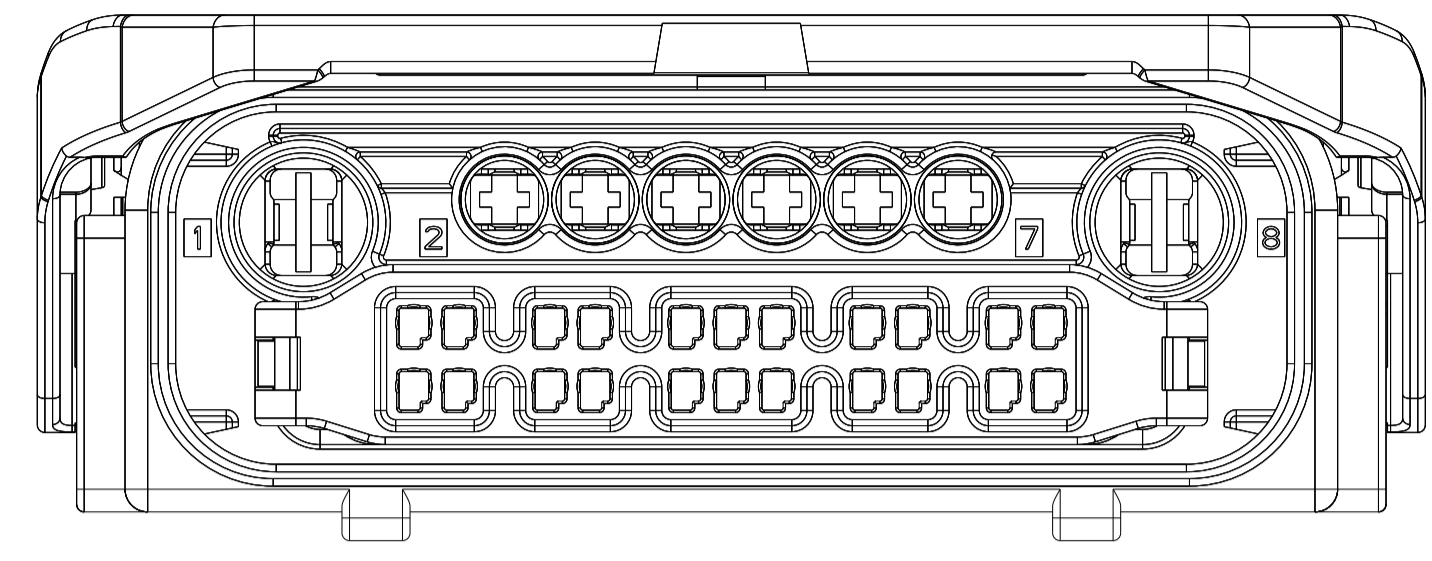
TE Connectivity

NAME: 30P SEALED HYBRID PLUG ASSEMBLY

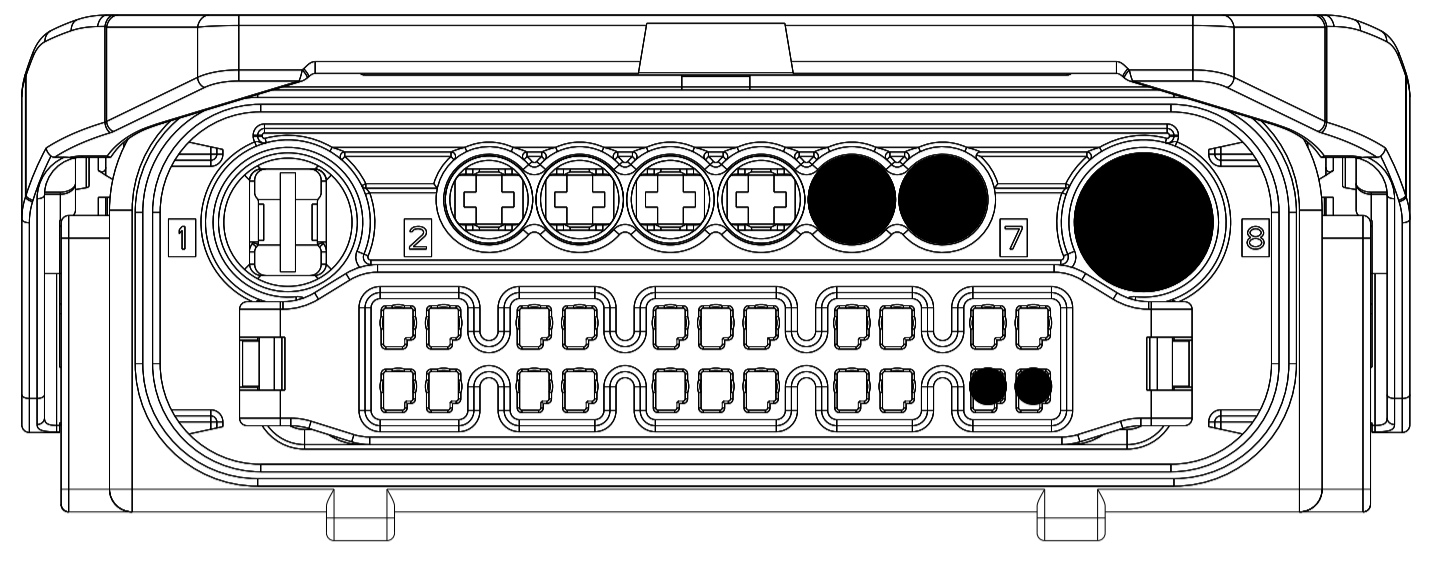
SIZE: A1 CAGE CODE: DRAWING NO: C=2301462

SCALE: 3:2 SHEET 2 OF 5

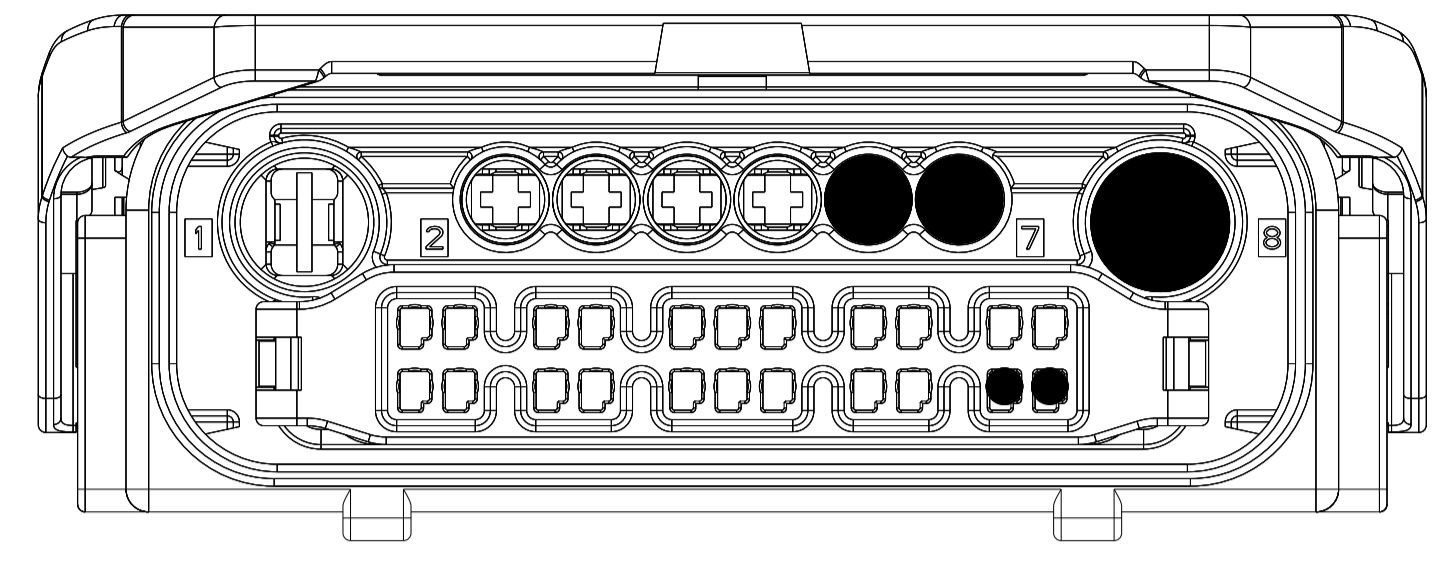
REVISIONS				
P	LTN	DESCRIPTION	DATE	APVD
-	-	SEE SHEET 1	-	-
-	-	-	-	-
-	-	-	-	-
-	-	-	-	-



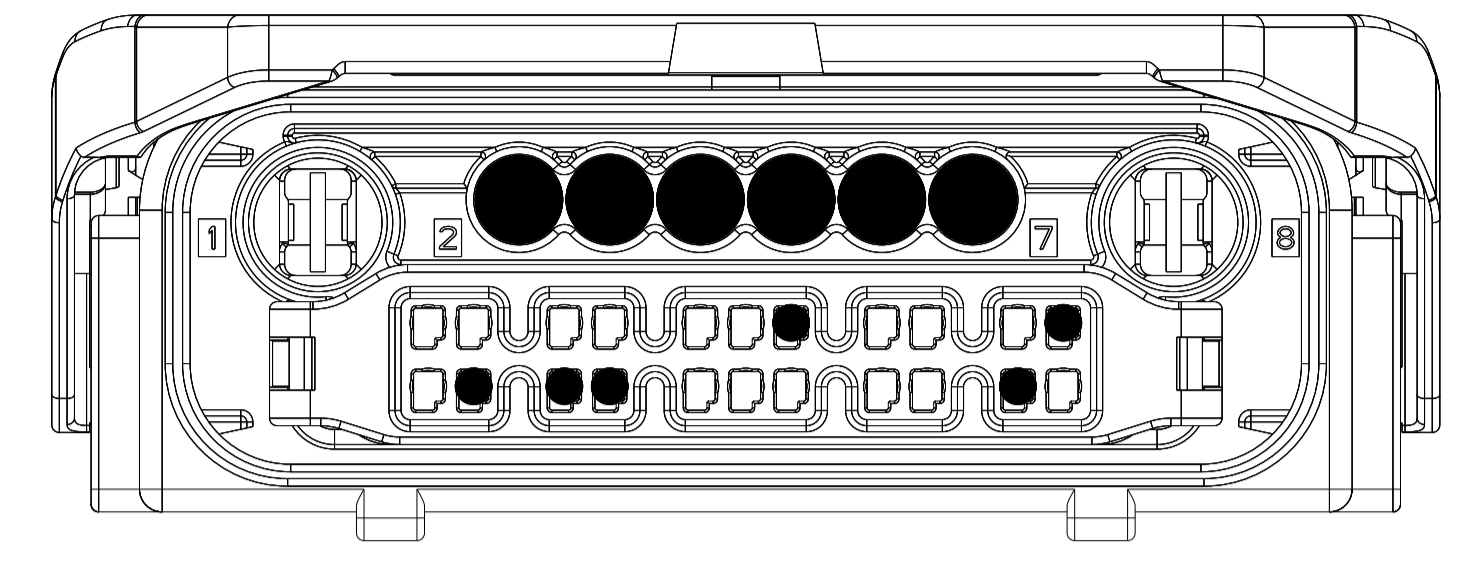
2301462-9  
KEY A - YELLOW



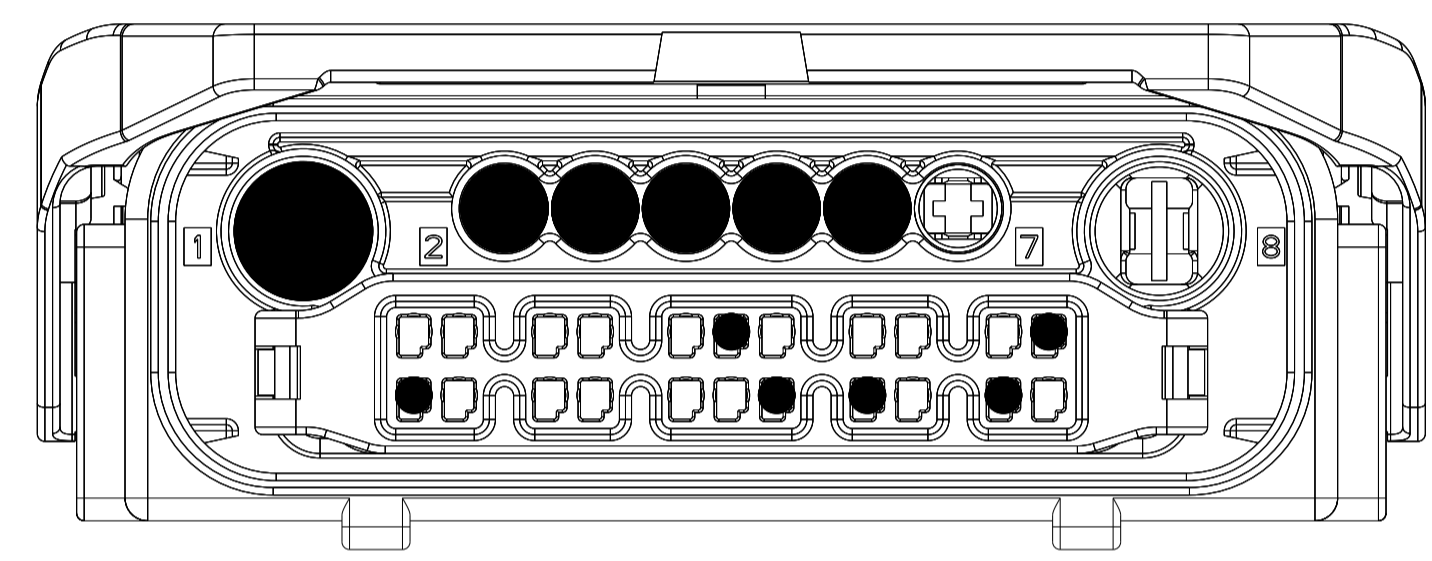
1-2301462-0  
KEY A - YELLOW



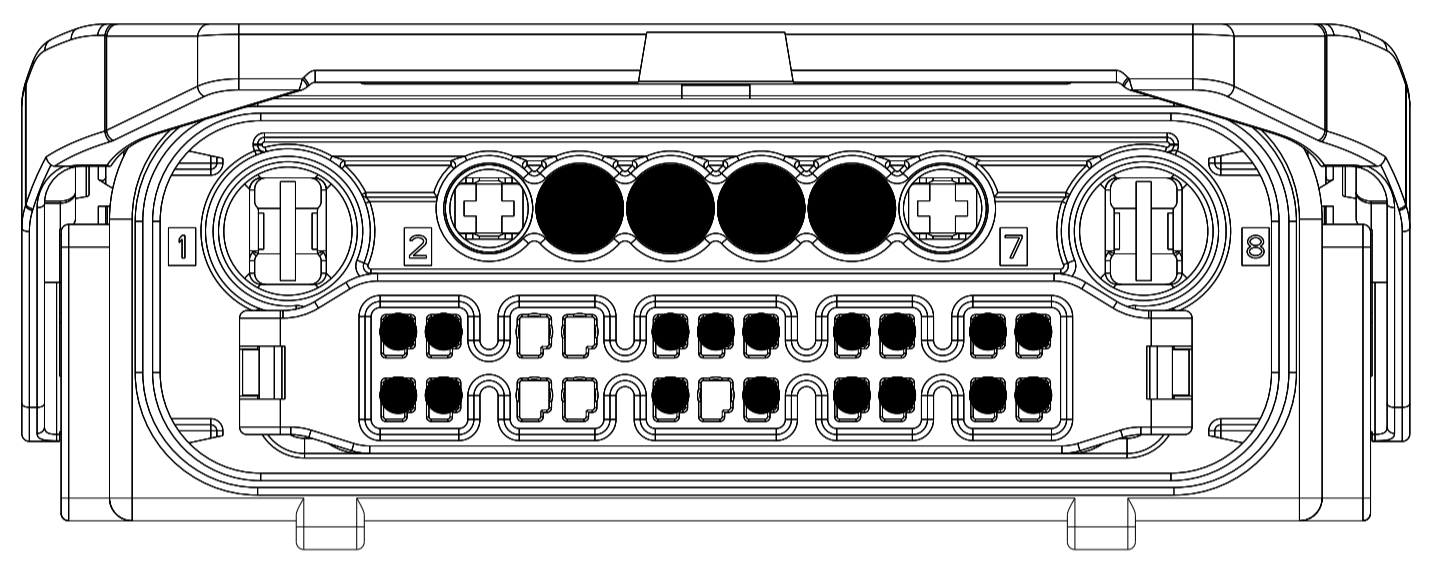
1-2301462-1  
KEY A - BLACK



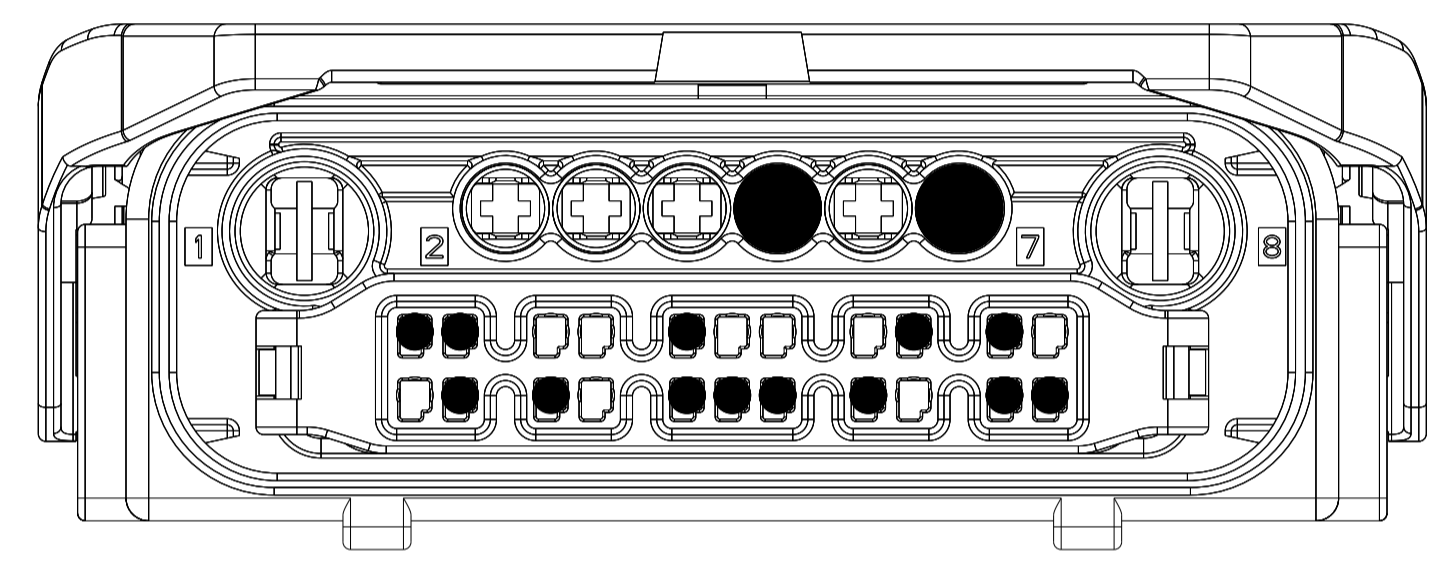
1-2301462-2  
KEY A - BLACK



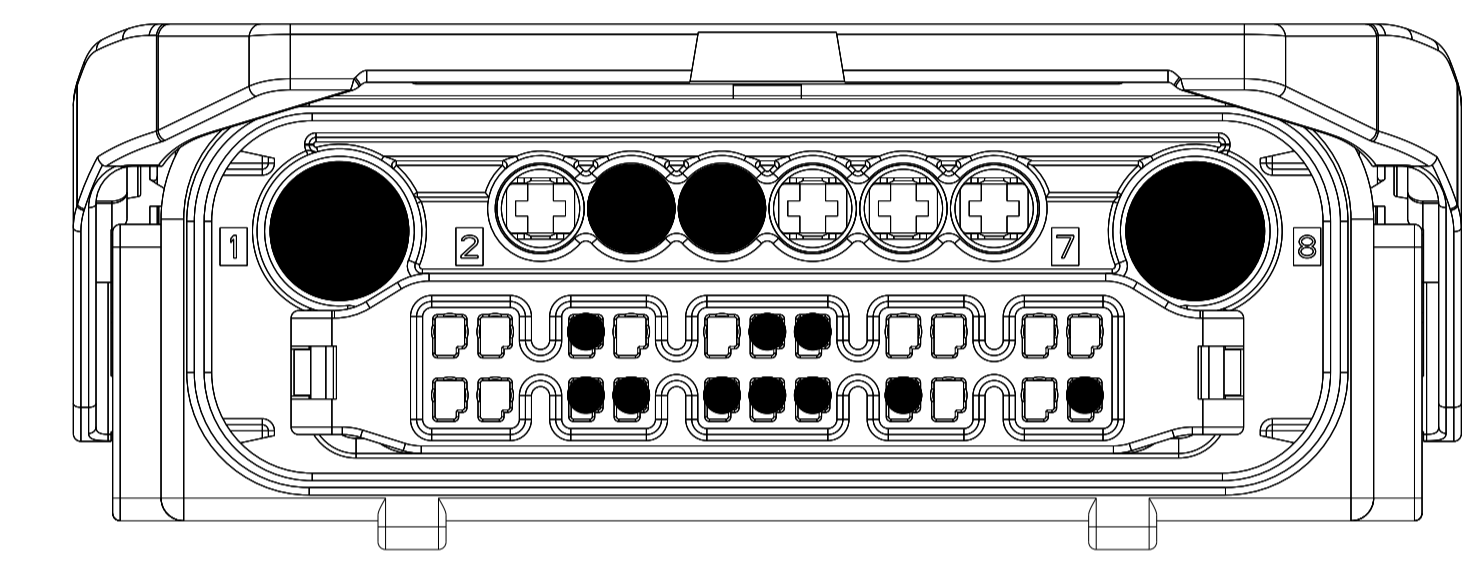
1-2301462-3  
KEY A - BLACK



1-2301462-4  
KEY B - LT GRAY



1-2301462-5  
KEY A - BLACK



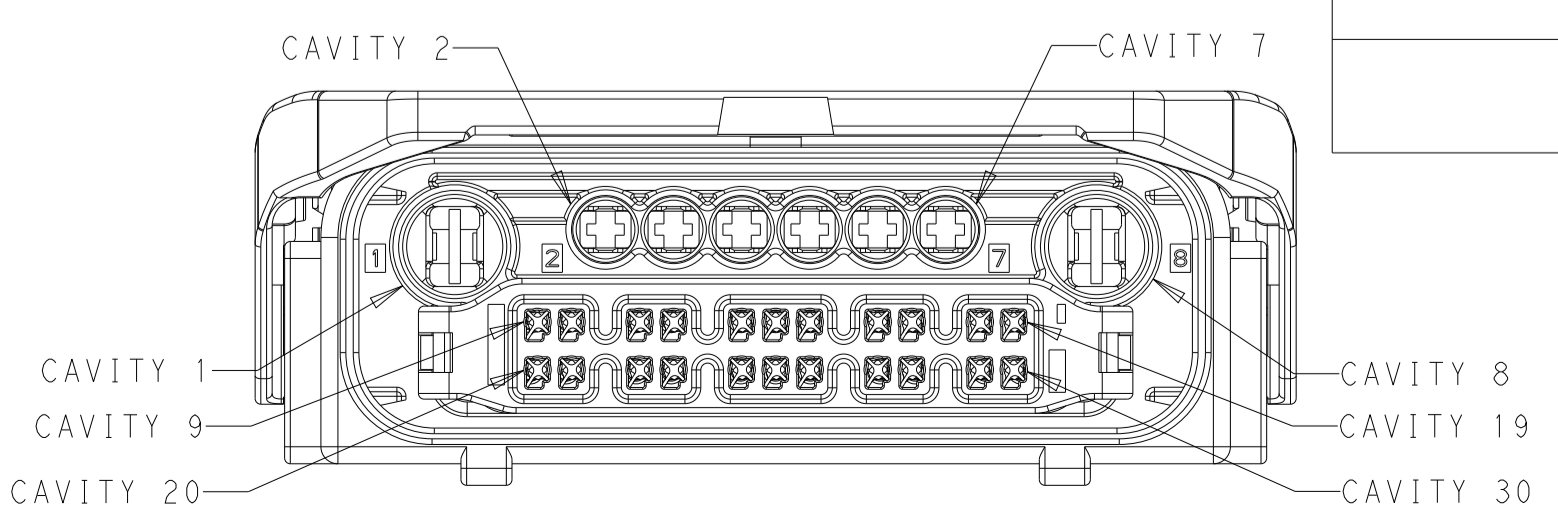
1-2301462-6  
KEY A - BLACK

CIRCUITS WITH SHADED CIRCLES ARE BLOCKED

TOOLING STATUS	30	29	28	27	26	25	24	23	22	21	20	19	18	17	16	15	14	13	12	11	10	9	8	7	6	5	4	3	2	1	KEY	COLOR	ASSEMBLY PART #
TOOLED																														A	BLACK	1-2301462-6	
TOOLED																														A	BLACK	1-2301462-5	
TOOLED																														B	LT GRAY	1-2301462-4	
TOOLED																														A	BLACK	1-2301462-3	
TOOLED																														A	BLACK	1-2301462-2	
TOOLED																														A	BLACK	1-2301462-1	
TOOLED																														A	YELLOW	1-2301462-0	
TOOLED																														A	YELLOW	2301462-9	

TERMINAL HOLE POSITION  
 CAVITIES WITH A NUMERIC SYMBOL INDICATES CLOSED TERMINAL LOCATION  
 BLANK CAVITIES INDICATES OPEN TERMINAL HOLE LOCATIONS

PIN OUT CHART



THIS DRAWING IS A CONTROLLED DOCUMENT. DWN: R. HETRICK 18APR2016  
 CHK: R. HETRICK 18APR2016  
 APVD: R. HETRICK 18APR2016

TE Connectivity

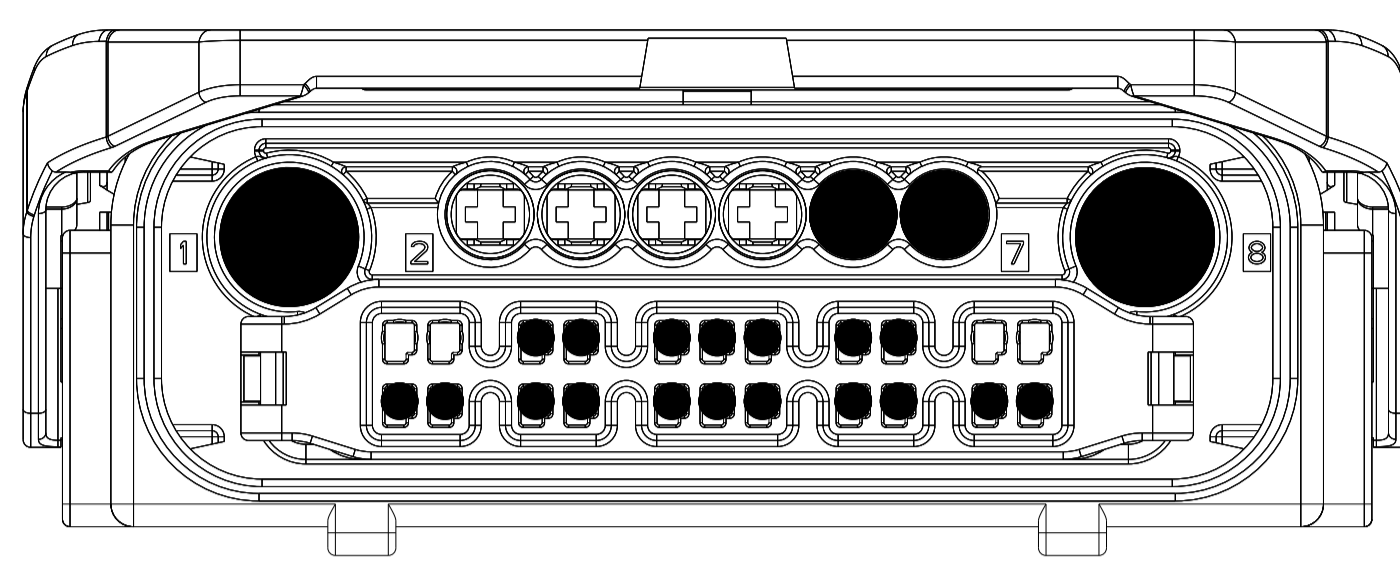
NAME: 30P SEALED HYBRID PLUG ASSEMBLY

SIZE: A1 CAGE CODE: - DRAWING NO: C=2301462

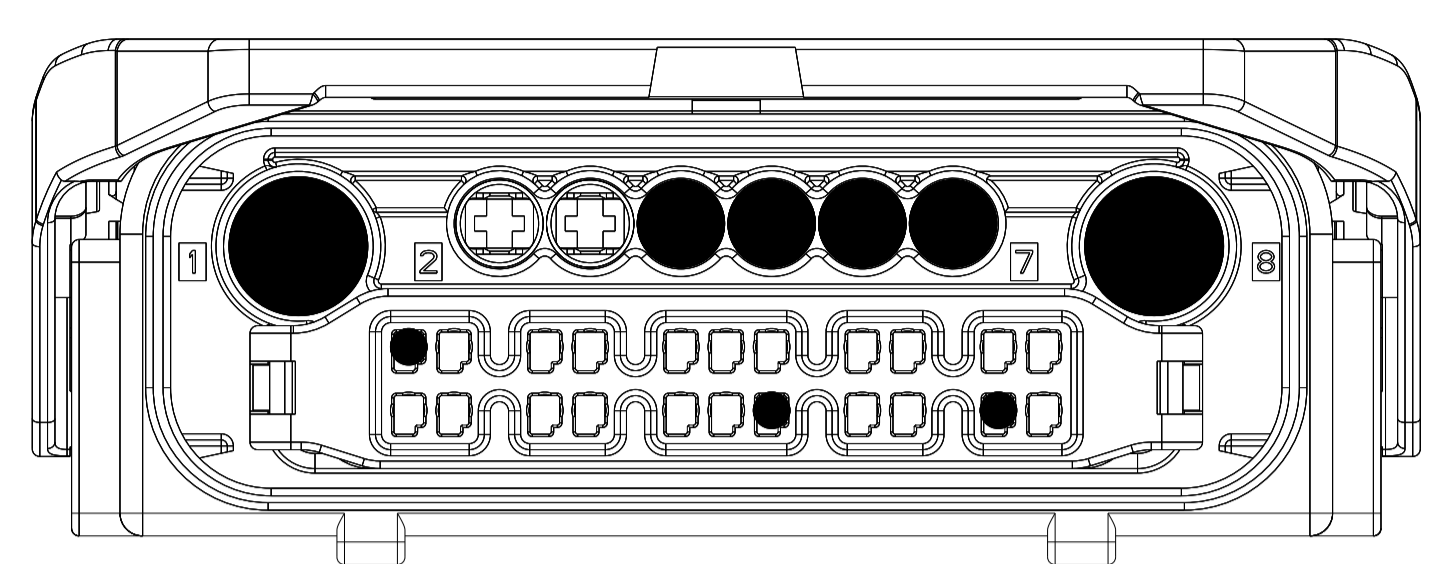
SCALE: 3:2 SHEET: 3 OF 5



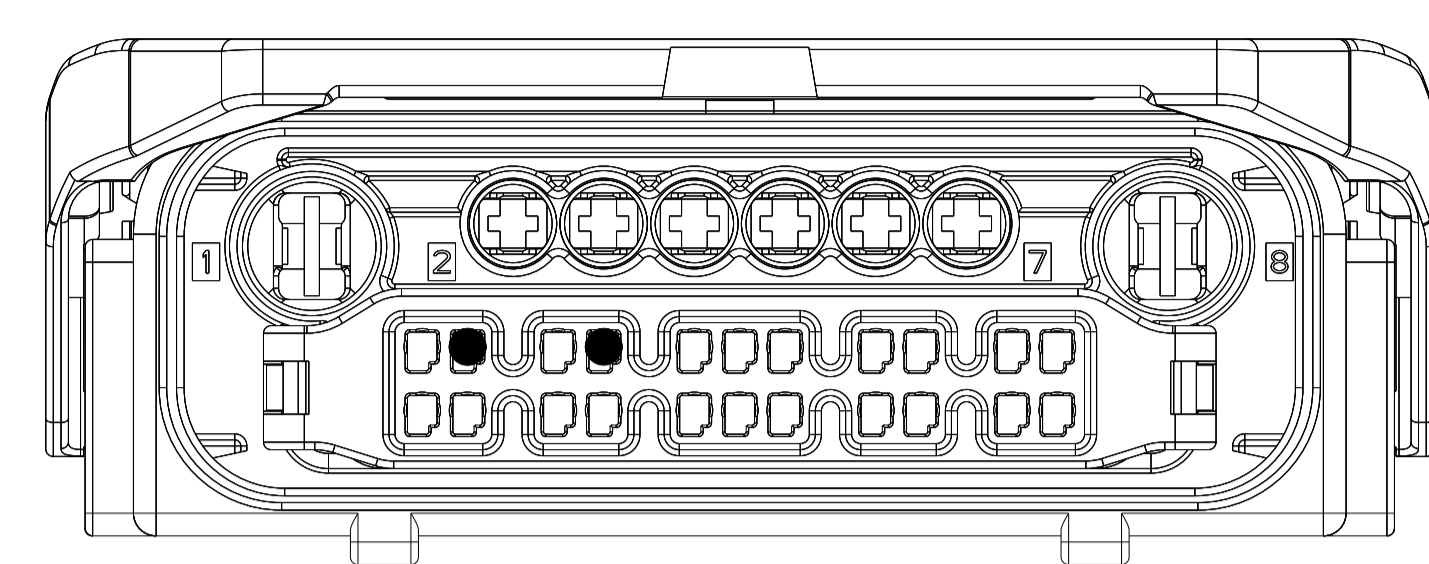
REVISIONS				
P	LTN	DESCRIPTION	DATE	APVD
-	-	SEE SHEET 1	-	-
-	-	-	-	-
-	-	-	-	-



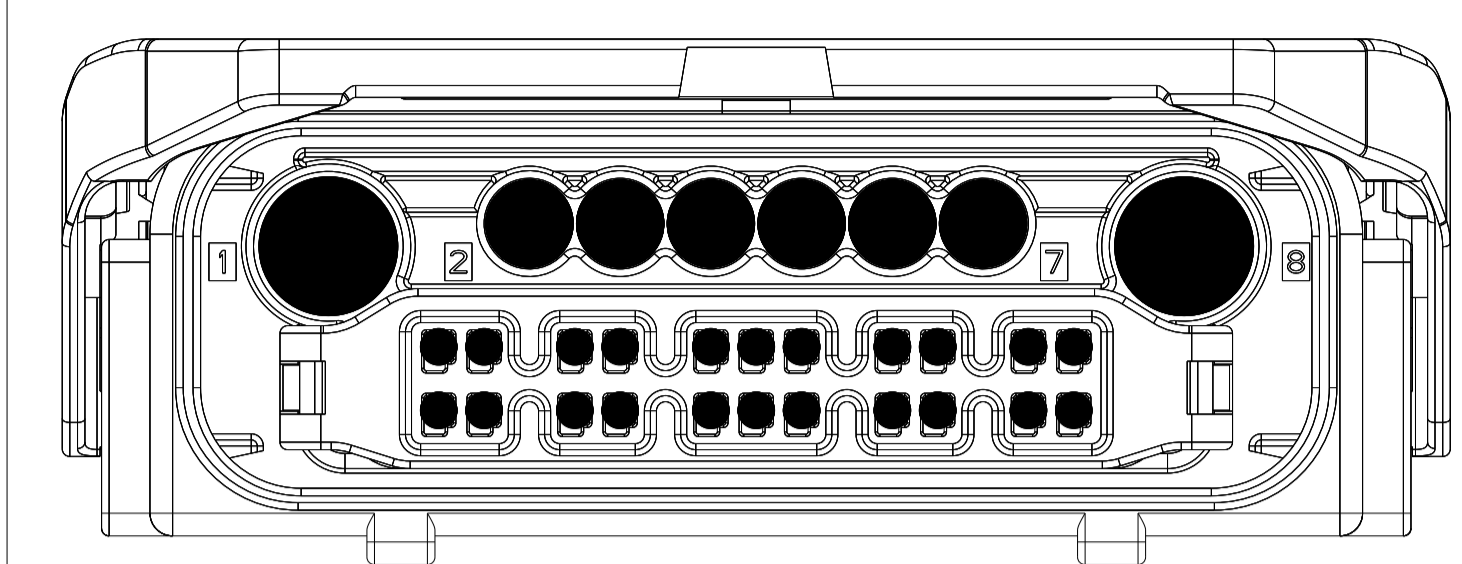
2-2301462-5  
KEY A - BLACK



2-2301462-6  
KEY A - BLACK



2-2301462-7  
KEY A - BLACK



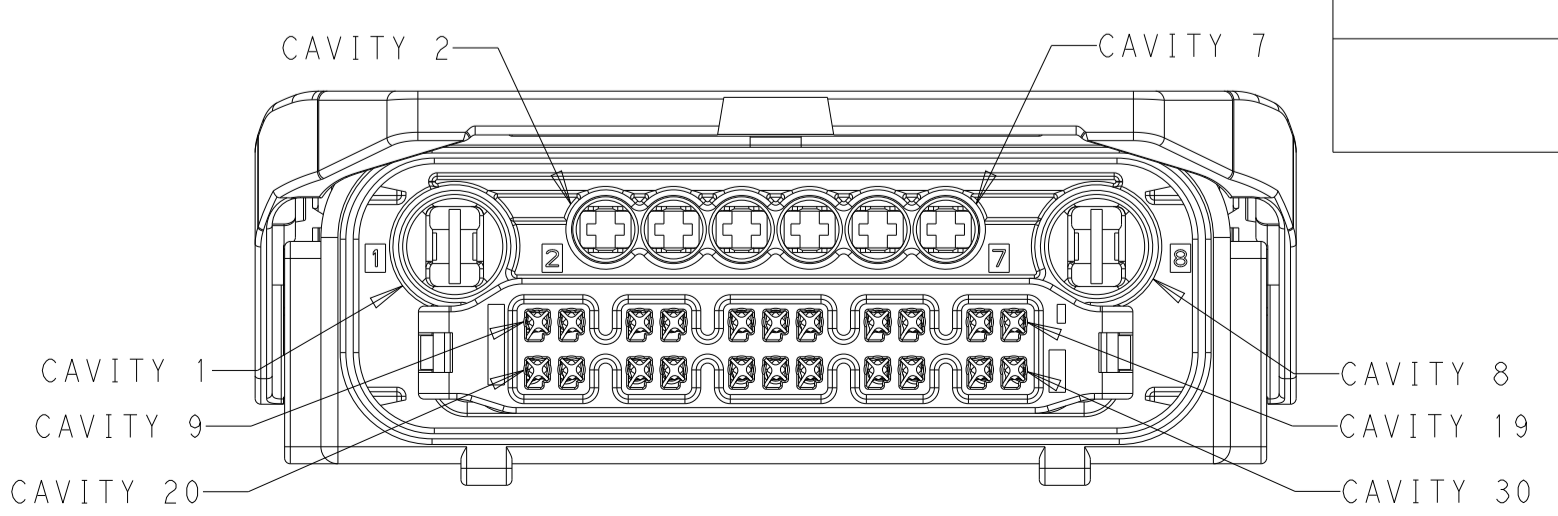
9-2301462-9  
KEY A - BLACK

CIRCUITS WITH SHADED CIRCLES ARE BLOCKED

TOOLED	30	29	28	27	26	25	24	23	22	21	20	19	18	17	16	15	14	13	12	11	10	9	8	7	6	5	4	3	2	1	KEY	OUTER HOUSING COLOR	ASSEMBLY PART #	
TOOLED																			12	10											A	BLACK	9-2301462-9	
TOOLED																																A	BLACK	2-2301462-7
TOOLED		29			26																	9	8	7	6	5	4				1	A	BLACK	2-2301462-6
TOOLED	30	29	28	27	26	25	24	23	22	21	20			17	16	15	14	13	12	11			8	7	6					1	A	BLACK	2-2301462-5	
TOOLING STATUS	30	29	28	27	26	25	24	23	22	21	20	19	18	17	16	15	14	13	12	11	10	9	8	7	6	5	4	3	2	1	KEY	OUTER HOUSING COLOR	ASSEMBLY PART #	

TERMINAL HOLE POSITION  
 CAVITIES WITH A NUMERIC SYMBOL INDICATES CLOSED TERMINAL LOCATION  
 BLANK CAVITIES INDICATES OPEN TERMINAL HOLE LOCATIONS

PIN OUT CHART



THIS DRAWING IS A CONTROLLED DOCUMENT. DWN: R. HETRICK 18APR2016  
 CHK: R. HETRICK 18APR2016  
 APVD: R. HETRICK 18APR2016

TE Connectivity

30P SEALED HYBRID PLUG ASSEMBLY

SIZE: A1 CAGE CODE: - DRAWING NO: C=2301462 RESTRICTED TO: -  
 SCALE: 3:2 SHEET: 5 OF 5 REV: C16