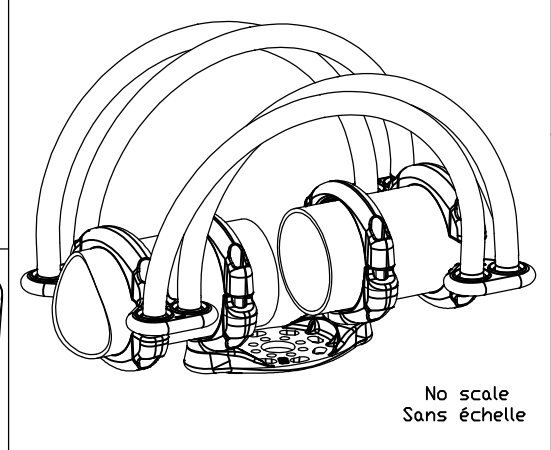
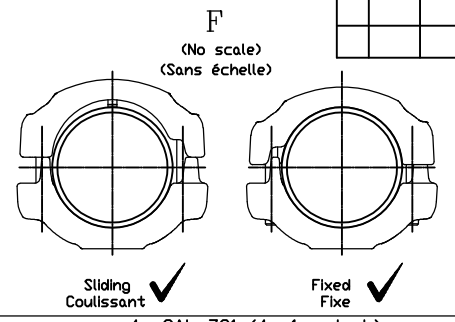
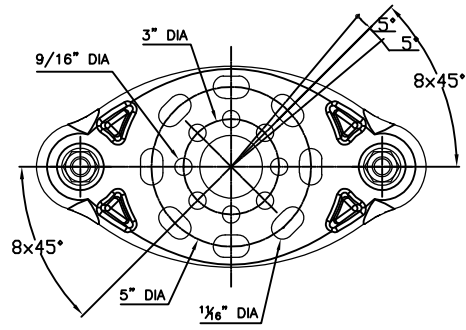


THIS DRAWING IS UNPUBLISHED.
 DIFFUSION RESTREINTE
 © COPYRIGHT 2011 by Tyco Electronics Corporation
 ALL RIGHTS RESERVED.
 TOUTS DROITS RESERVES.

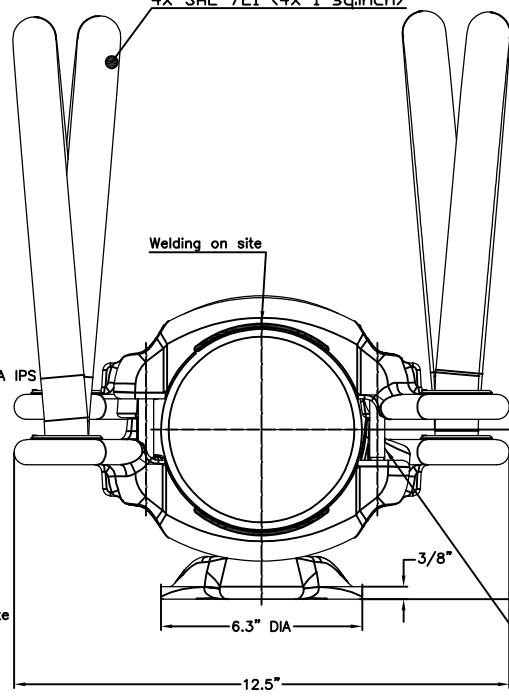
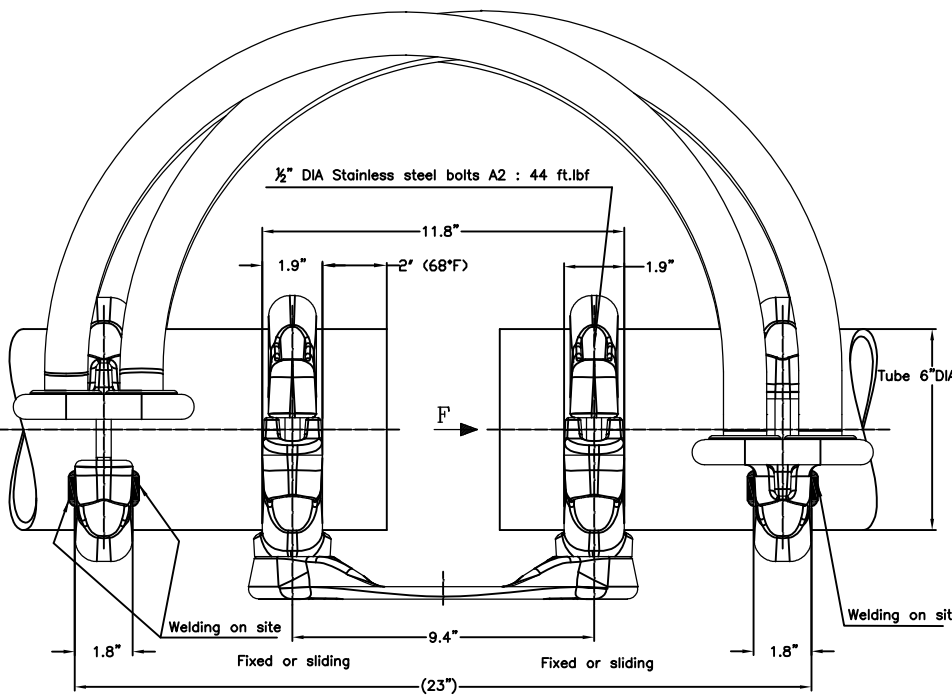
RELEASED FOR PUBLICATION
 LIBRE A LA DIFFUSION
 2011

LOC	DIST
-	-

P		LTR REV	DESCRIPTION MODIFICATIONS	DATE	DWN DESS	APVD APPR
A		1	CREATION	10-Mar-16	JPM	-



4x SAL 721 (4x 1 sainch)



No scale
 Sans échelle

THIS DRAWING IS A CONTROLLED DOCUMENT.
 IF IN LIST OR NUMBER CONTROL BY THE DRAWING COMPANY
 IL EST SOUS LE REGIME DE LA DIFFUSION RESTREINTE
 CONTACTER LE SERVICE TECHNIQUE DE TYCO ELECTRONICS POUR PLUS
 D'INFORMATIONS CONCERNANT LES DROITS DE PROPRIETE.

DIMENSIONS:	TOLERANCES UNLESS OTHERWISE SPECIFIED PER TOLERANCES NON SPECIFIEES SELON : -
MM	
MATERIAL MATIERE	FINISH FINITION

APVD/APPROUVE	10-Mar-16
CHK/VERIFIE	-
PRODUCT SPEC SPEC. PRODUIT	108-69090-001
APPLICATION SPEC SPEC. APPLICATION	-
APPROX. WEIGHT MASSE APPROX.	44 Lbs

		TE connectivity SIMEL PRODUCTS	
FLEXIBLE JUNCTION BUSBAR SUPPORT ON BPI 5 TJL 8 P3-P5 TW 6" IPS 47			
SIZE FORMAT	CAGE CODE	DRAWING NO	RESTRICTED TO RESERVE A
A3	00779	©=2301346	-
CUSTOMER DRAWING /PLAN CLIENT		UNDOCUMENT FOUR REFERENCE	SCALE ECHELLE 1/4
		SHEET FEUILLE 1	OF DE 1
		REV	A

ITEM:.....