

THIS DRAWING IS UNPUBLISHED.

RELEASED FOR PUBLICATION

ALL RIGHTS RESERVED.

© COPYRIGHT - By -

REVISIONS

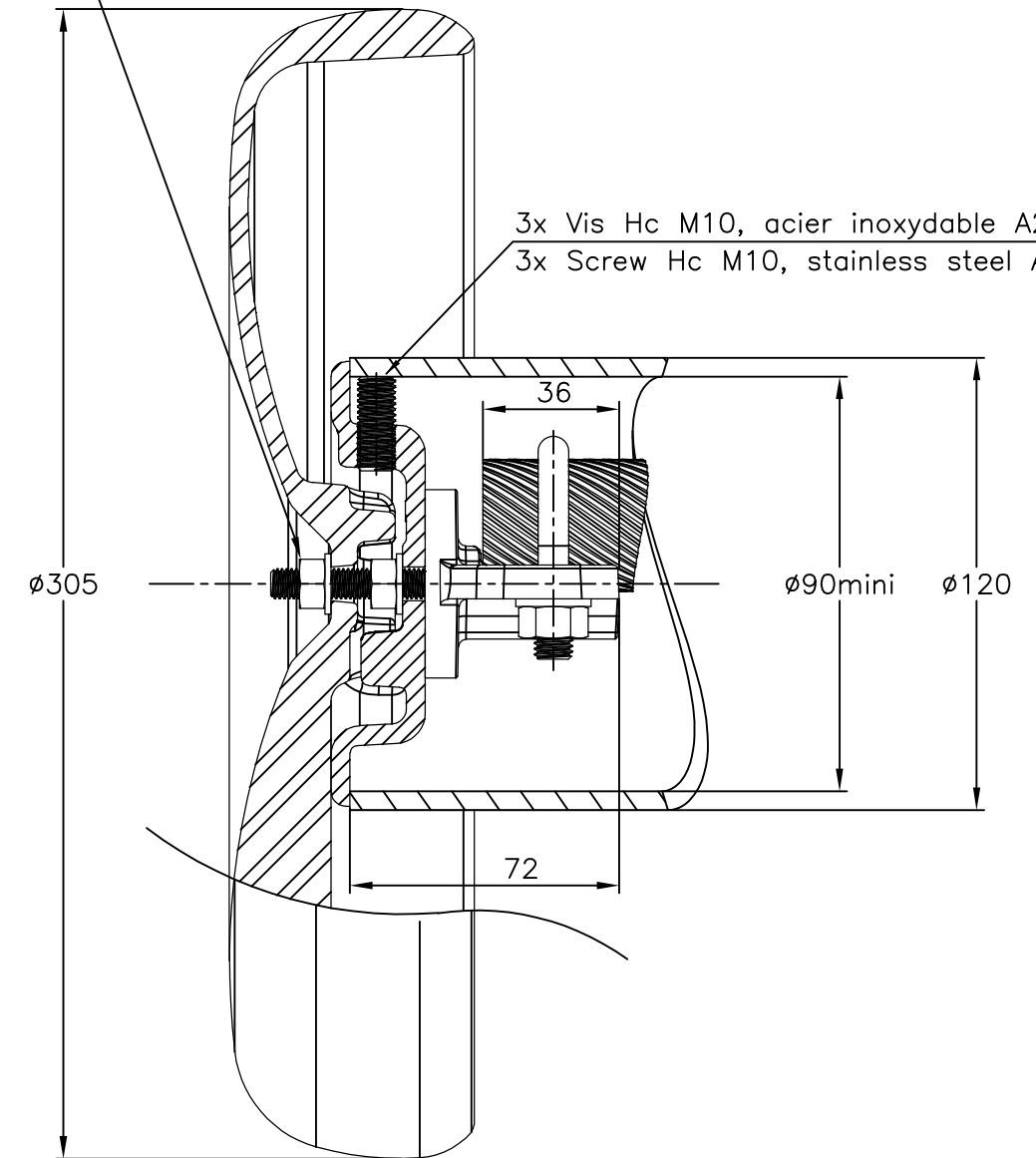
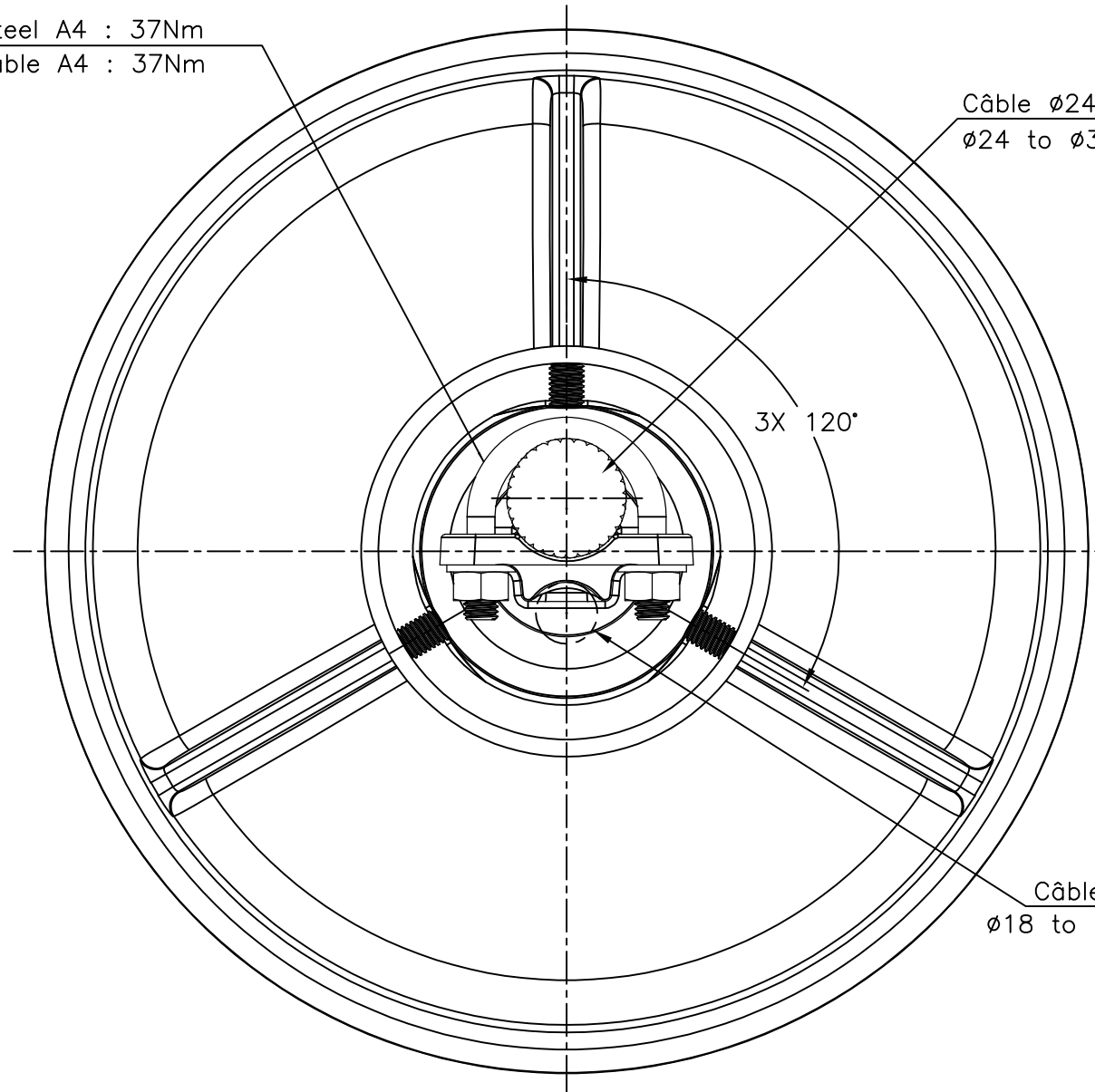
P	LTR	DESCRIPTION	DATE	DWN	APVD
	A	CREATION	21-SEP-17	GL	-

M10 U-Bolt Stainless steel A4 : 37Nm
 Etrier M10 acier inoxydable A4 : 37Nm

1x Boulon M8 acier inoxydable A2: 20Nm
 1x Bolt M8, A2 stainless steel: 20Nm

Câble ø24 à ø35
 ø24 to ø35 Conductor

3x Vis Hc M10, acier inoxydable A2
 3x Screw Hc M10, stainless steel A2



Câble ø18 à ø24
 ø18 to ø24 Conductor

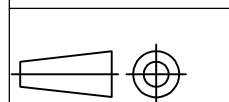
ITEM:.....

THIS DRAWING IS A CONTROLLED DOCUMENT.

DWN LAFORGE 21-SEP-17

DIMENSIONS: mm

TOLERANCES UNLESS OTHERWISE SPECIFIED:



0 PLC	± -
1 PLC	± -
2 PLC	± -
3 PLC	± -
4 PLC	± -
ANGLES	± -
FINISH	-

MATERIAL -

CHK -

APVD -

PRODUCT SPEC

108-69090-001

APPLICATION SPEC

WEIGHT 3.1 kg

CUSTOMER DRAWING



NAME CORONA SHIELD END CAP WITH CABLE HOLDER
 BOUCHON PARE EFFLUE PORTE CABLE

5 TAPAC 82 T120 18/35

SIZE	CAGE CODE	DRAWING NO	RESTRICTED TO
A3	00779	C=2301110	-

SCALE 1/2 SHEET 1 OF 1 REV A