

THIS DRAWING IS UNPUBLISHED.

RELEASED FOR PUBLICATION

-. - .

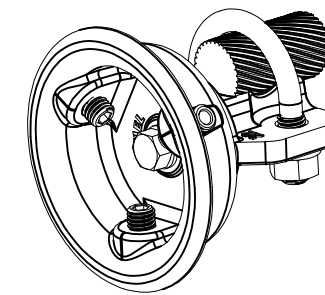
© COPYRIGHT - By -

ALL RIGHTS RESERVED.

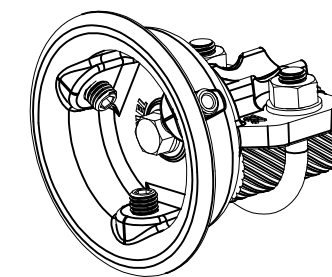
REVISIONS

P	LTR	DESCRIPTION	DATE	DWN	APVD
	A	CREATION	05-Jan-17	GL	-

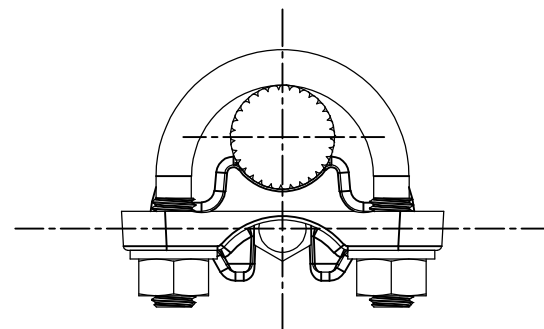
Cable Ø18-24



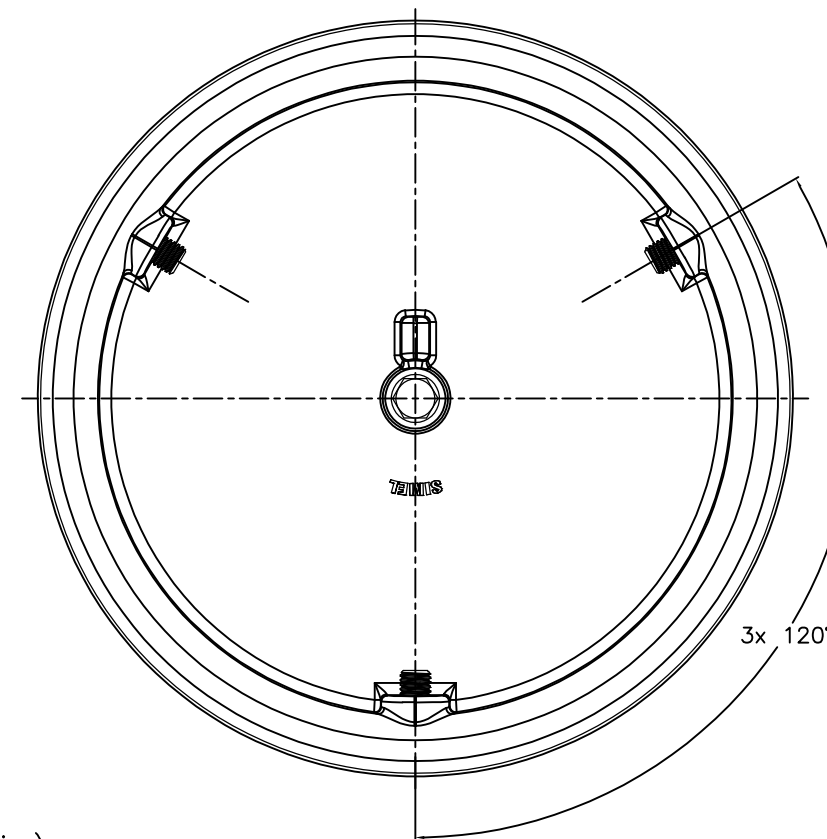
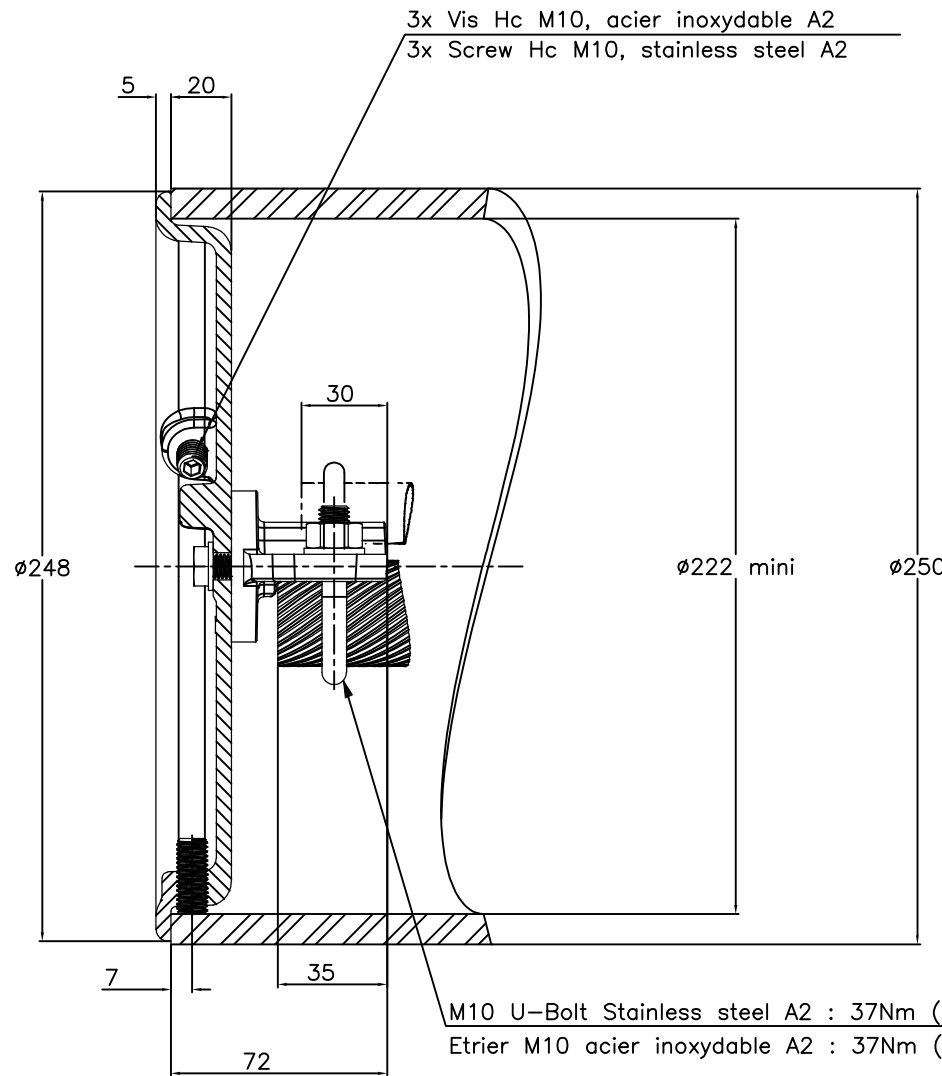
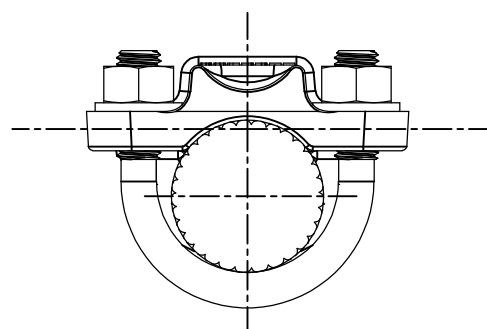
Cable Ø24-35




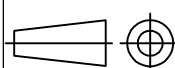
Cable 18DIA to 24 assembly  
Assemblage pour cable Ø18 à 24



Cable 24DIA to 35 assembly  
Assemblage pour cable Ø24 à 35



ITEM:.....

THIS DRAWING IS A CONTROLLED DOCUMENT.		DWN	06-Jan-17		 <b>TE Connectivity</b>
		CHK	-		
		APVD	-		
		PRODUCT SPEC	-		
DIMENSIONS: mm		TOLERANCES UNLESS OTHERWISE SPECIFIED:		NAME	
		0 PLC	± -	END CAP CABLE HOLDER	
		1 PLC	± -	BOUCHON PLAT PORT CABLE	
		2 PLC	± -	5 TABPC 82 T250 18/35	
		3 PLC	± -	SIZE	CAGE CODE
		4 PLC	± -	A3	00779
		ANGLES	± -	DRAWING NO	RESTRICTED TO
MATERIAL		FINISH	-	©=2301100	-
				WEIGHT	2 kg
				CUSTOMER DRAWING	SCALE 2/5
				SHEET	1 OF 1
				REV	A