

THIS DRAWING IS UNPUBLISHED.

RELEASED FOR PUBLICATION

-. - .

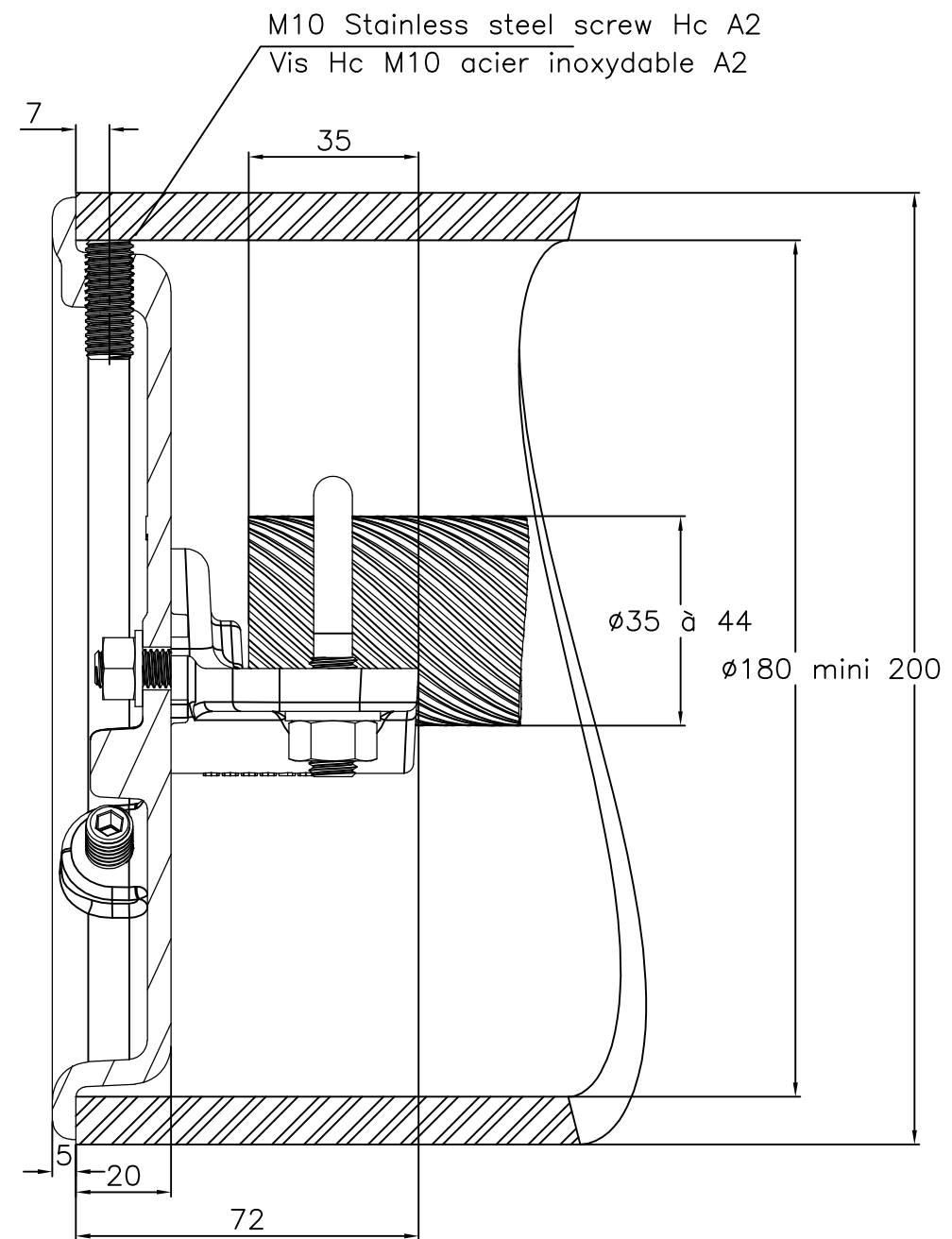
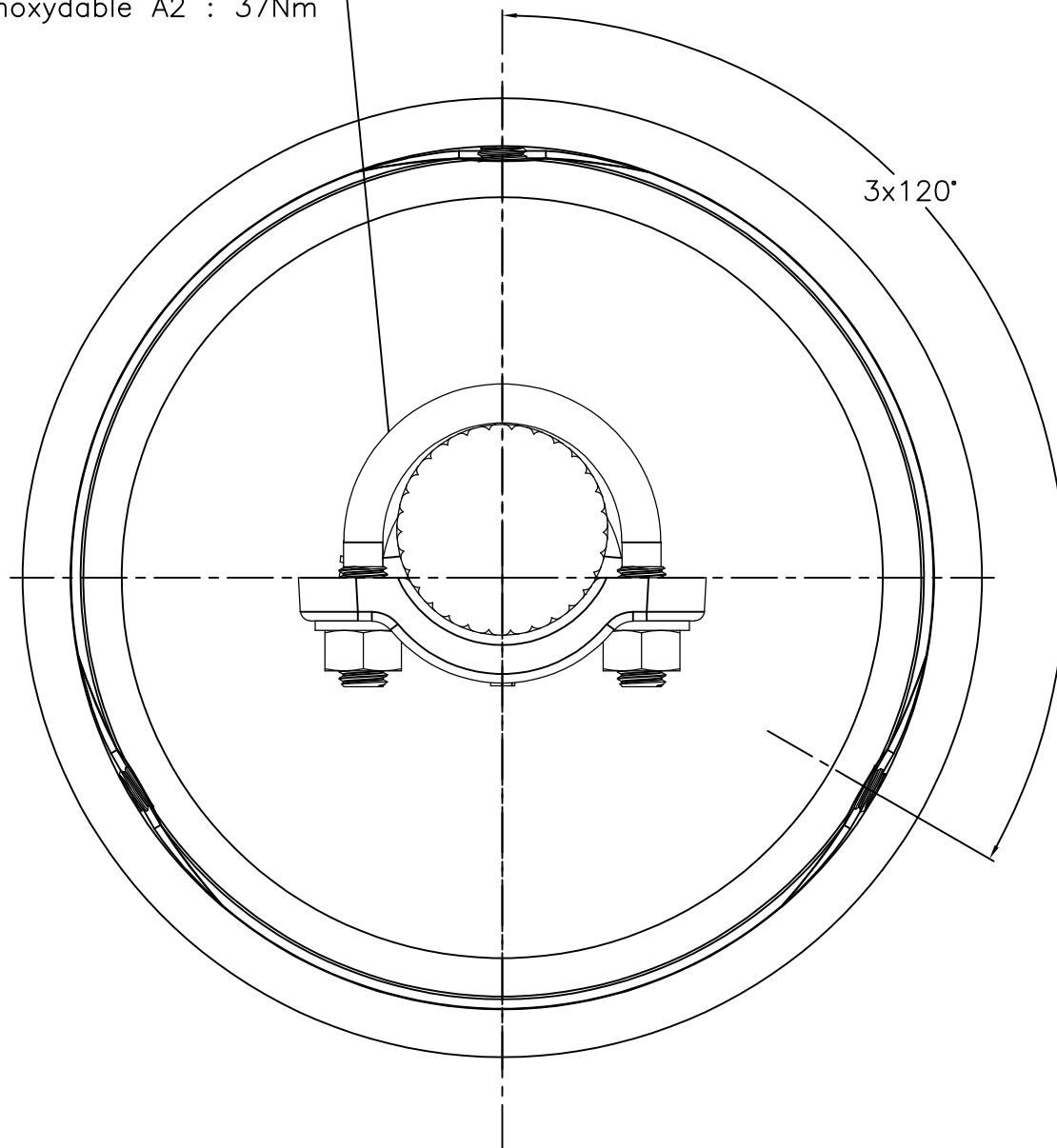
REVISIONS

© COPYRIGHT - By -

ALL RIGHTS RESERVED.

P	LTR	DESCRIPTION	DATE	DWN	APVD
	A	CREATION	19-May-16	GL	-

M10 U-Bolt Stainless steel A2 : 37Nm
 Etrier M10 acier inoxydable A2 : 37Nm



ITEM:.....

THIS DRAWING IS A CONTROLLED DOCUMENT.		DWN LAFORGE	10-Mar-15	STE TE Connectivity	
DIMENSIONS: mm		CHK	-		
TOLERANCES UNLESS OTHERWISE SPECIFIED:		APVD	-	NAME	
0 PLC ± -		PRODUCT SPEC	108-69090-001	END CAP CABLE HOLDER	
1 PLC ± -		APPLICATION SPEC	-	BOUCHON PLAT PORT CABLE	
2 PLC ± -		SIZE	A3	CAGE CODE	00779
3 PLC ± -		DRAWING NO	C=2301099		RESTRICTED TO
4 PLC ± -		WEIGHT	0.82 kg		-
ANGLES ± -		CUSTOMER DRAWING	SCALE	3/4	SHEET
MATERIAL		FINISH		1 OF 1	REV
-		-		A	A