

THIS DRAWING IS UNPUBLISHED.

RELEASED FOR PUBLICATION

-. - .

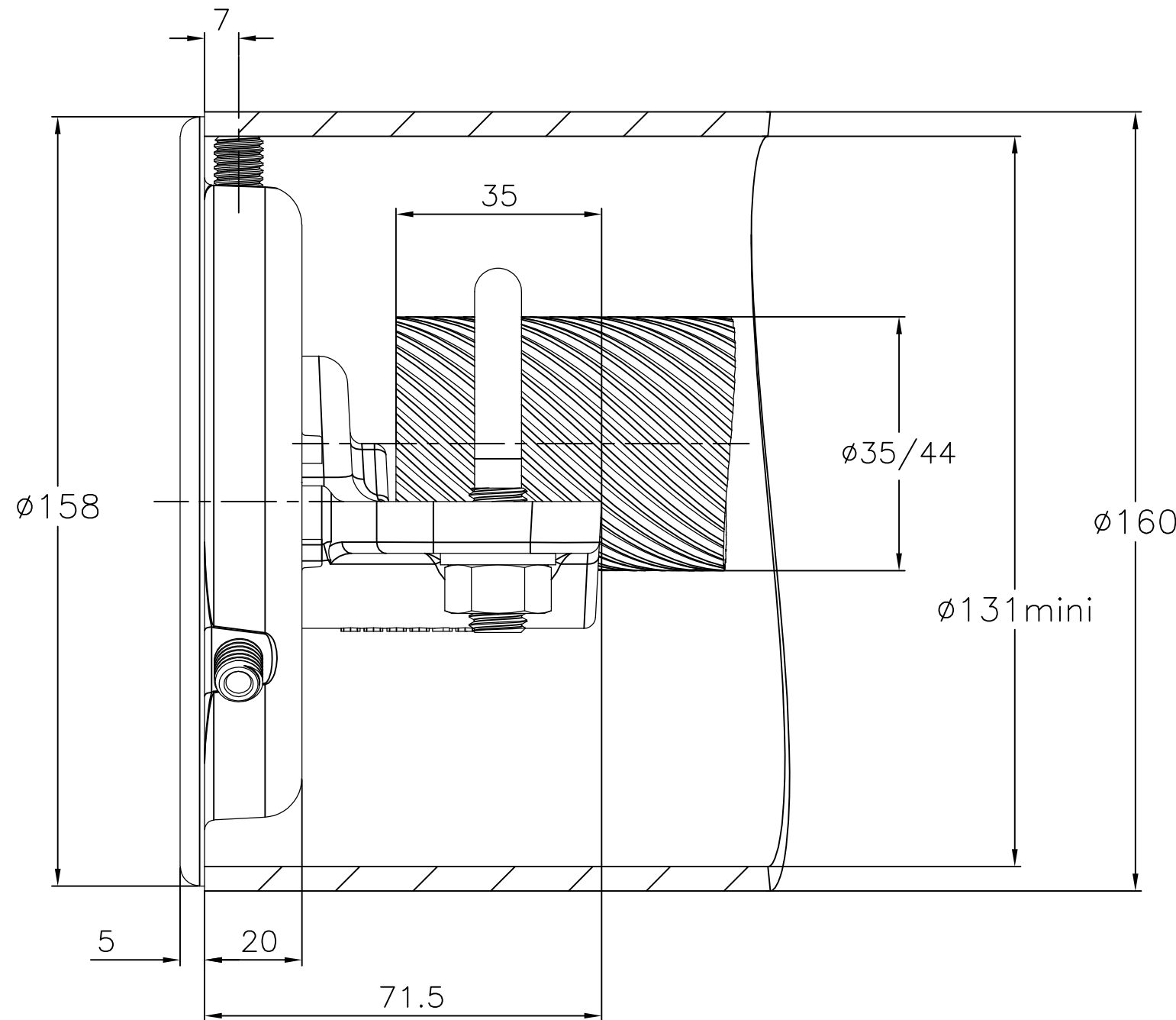
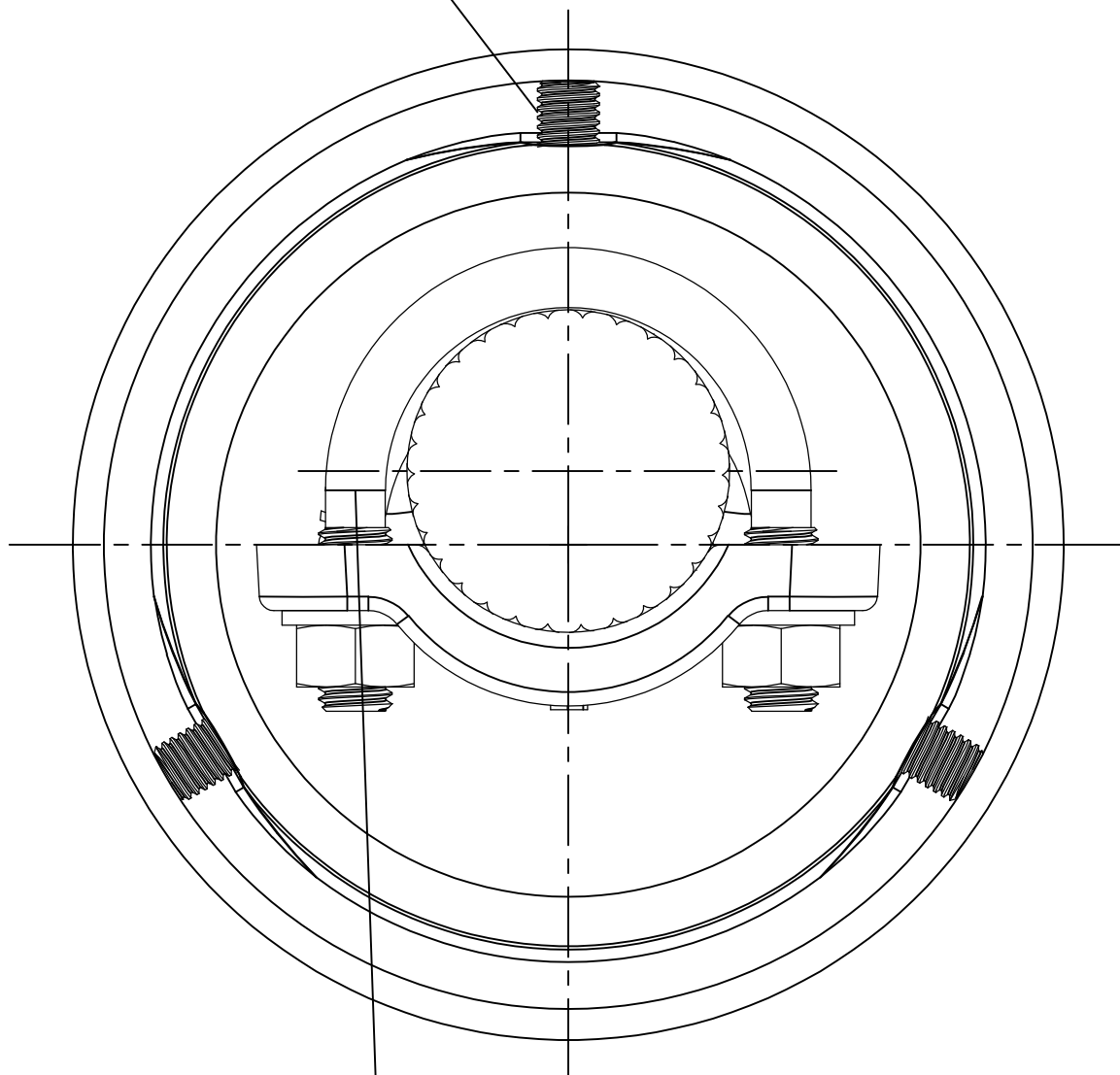
REVISIONS

© COPYRIGHT - By -

ALL RIGHTS RESERVED.

P	LTR	DESCRIPTION	DATE	DWN	APVD
	A	CREATION	6-Dec-16	JPM	-

M10 Stainless steel screw Hc A2
 Vis Hc M10 acier inoxydable A2



M10 U-Bolt Stainless steel A2 : 37Nm
 Etrier M10 acier inoxydable A2 : 37Nm

ITEM:.....

THIS DRAWING IS A CONTROLLED DOCUMENT.		DWN MOYEUR	6-Dec-16	STE TE Connectivity	
DIMENSIONS: mm		CHK	-		
TOLERANCES UNLESS OTHERWISE SPECIFIED:		APVD	-	NAME END CAP CABLE HOLDER	
0 PLC ± -		PRODUCT SPEC	108-69090-001	BOUCHON PLAT PORT CABLE	
1 PLC ± -		APPLICATION SPEC	-	5 TABPC 82 T160 35/44	
2 PLC ± -		SIZE	A3	CAGE CODE	00779
3 PLC ± -		DRAWING NO	C=2301092		RESTRICTED TO
4 PLC ± -		WEIGHT	0.62 kg		-
ANGLES ± -		CUSTOMER DRAWING	SCALE	1/1	SHEET
FINISH		1 OF 1		REV	A