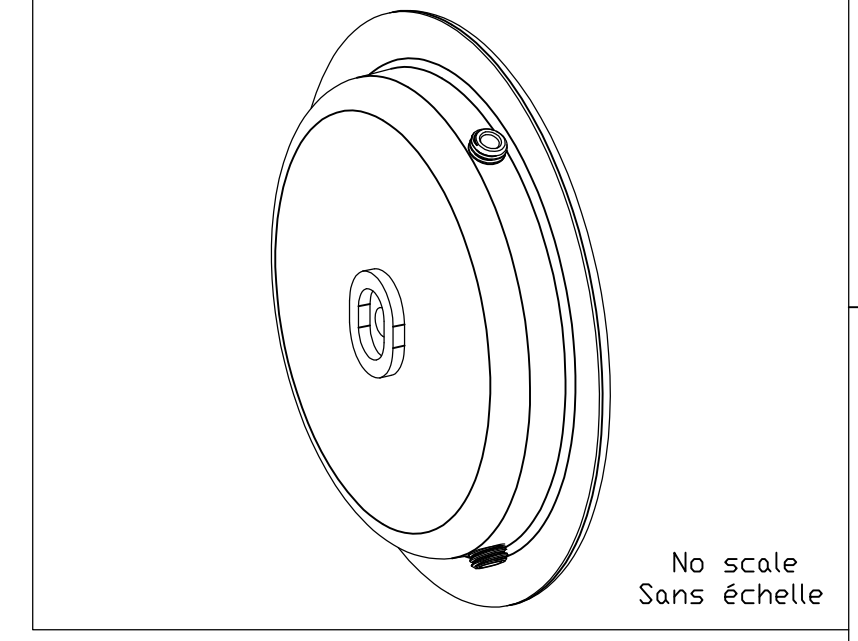
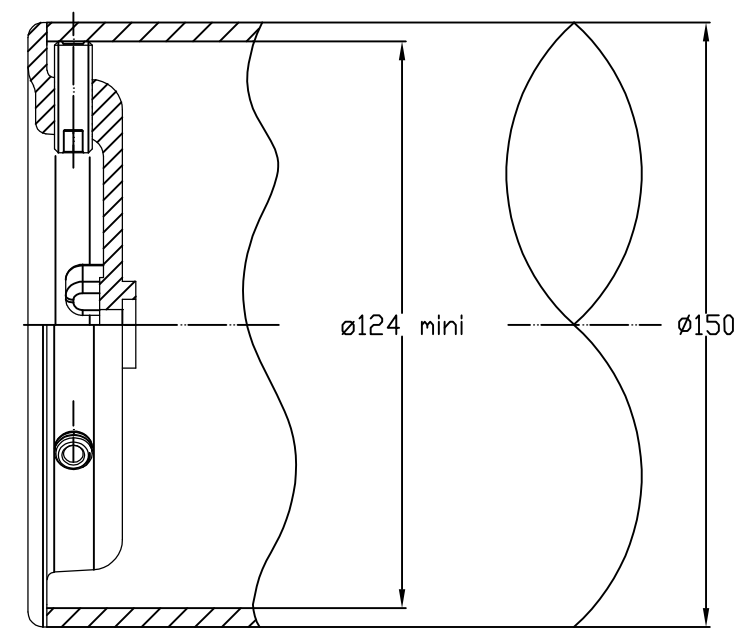
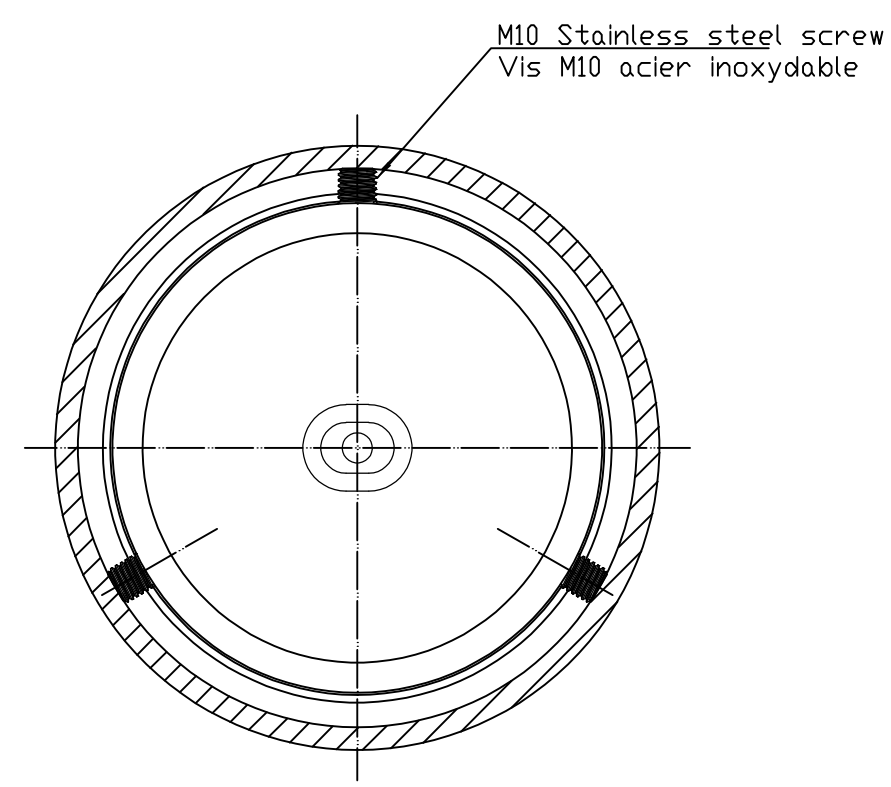

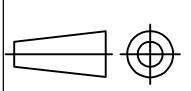


THIS DRAWING IS UNPUBLISHED. RELEASED FOR PUBLICATION
 © COPYRIGHT - By - ALL RIGHTS RESERVED.

REVISIONS				
P	LTR	DESCRIPTION	DATE	APVD
	A	CREATION	04-Jan-17	GL



ITEM:.....

THIS DRAWING IS A CONTROLLED DOCUMENT.		DWN	04-Jan-17		 TE Connectivity
		CHK	-		
		APVD	-		
		PRODUCT SPEC	-		
DIMENSIONS:	TOLERANCES UNLESS OTHERWISE SPECIFIED:	APPLICATION SPEC		NAME	
mm		108-69090-001		END CAP FOR TUBE ø150	
	0 PLC ± -	APPROX.WEIGHT		BOUCHON PLAT POUR TUBE Ø150	
	1 PLC ± -	3.7 kg		5 TABP 82 T150	
	2 PLC ± -	SIZE	CAGE CODE	DRAWING NO	RESTRICTED TO
	3 PLC ± -	A3	00779	©=2301082	-
	4 PLC ± -	CUSTOMER DRAWING		SCALE	SHEET
	ANGLES ± -			1:2	1 OF 1
MATERIAL	FINISH			REV	A
-	-				