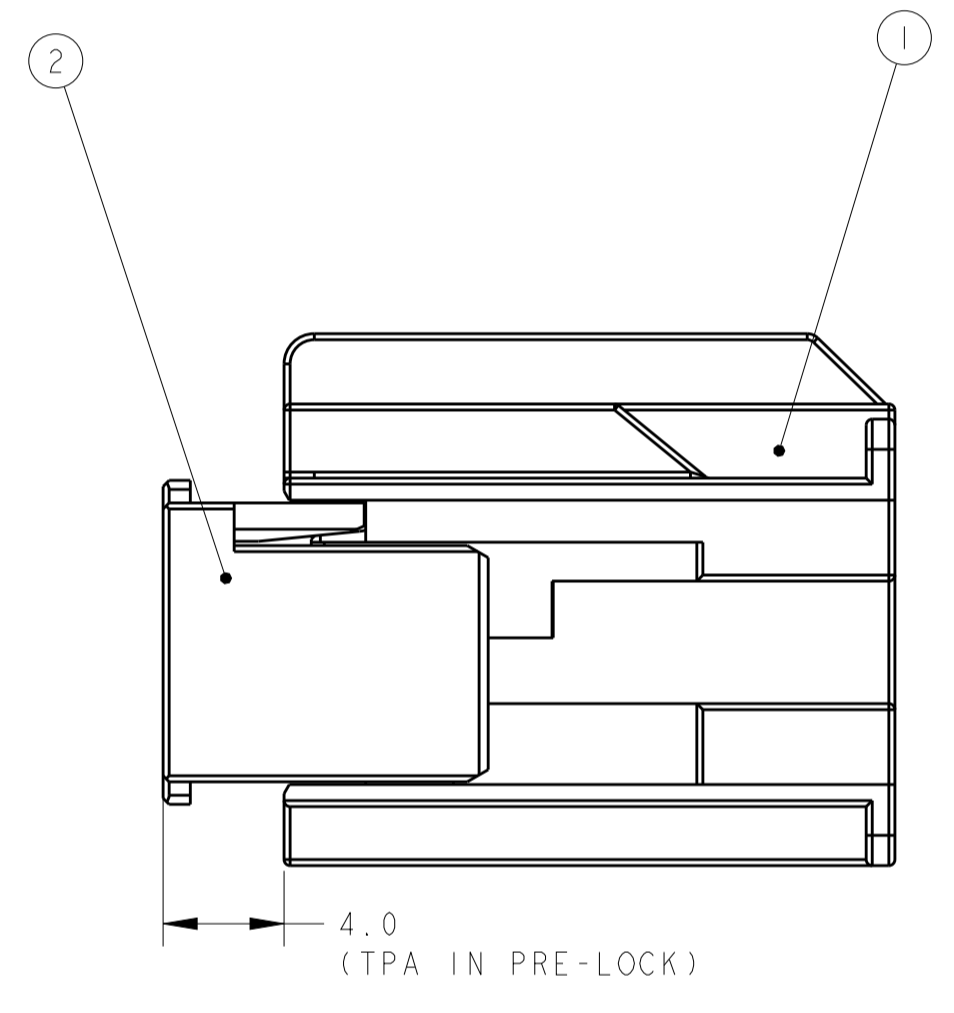
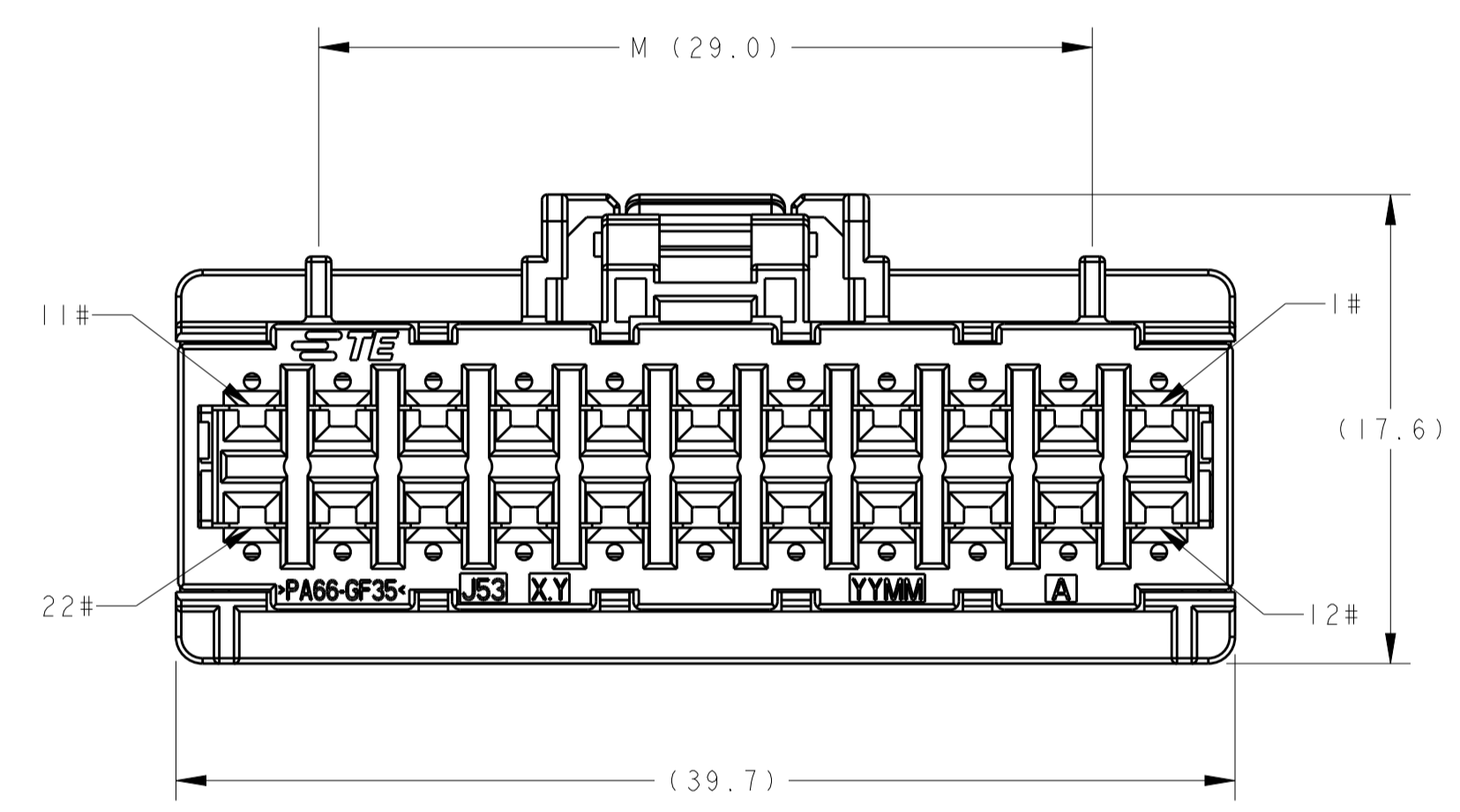
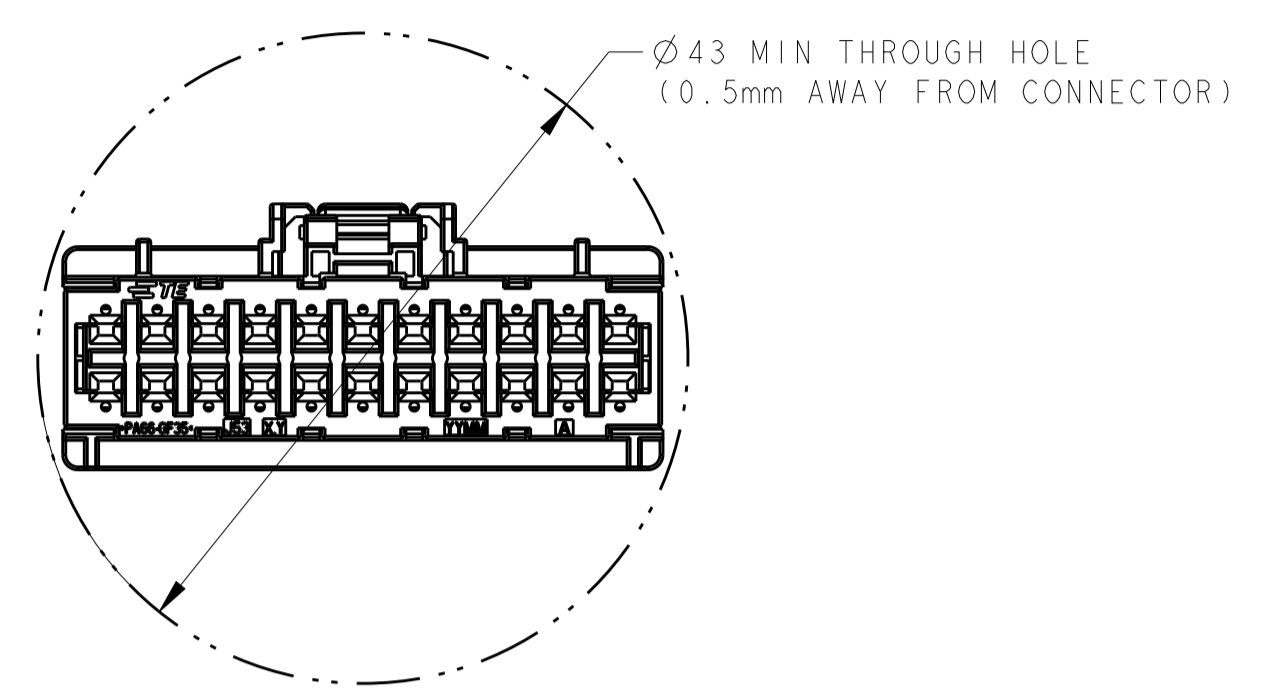
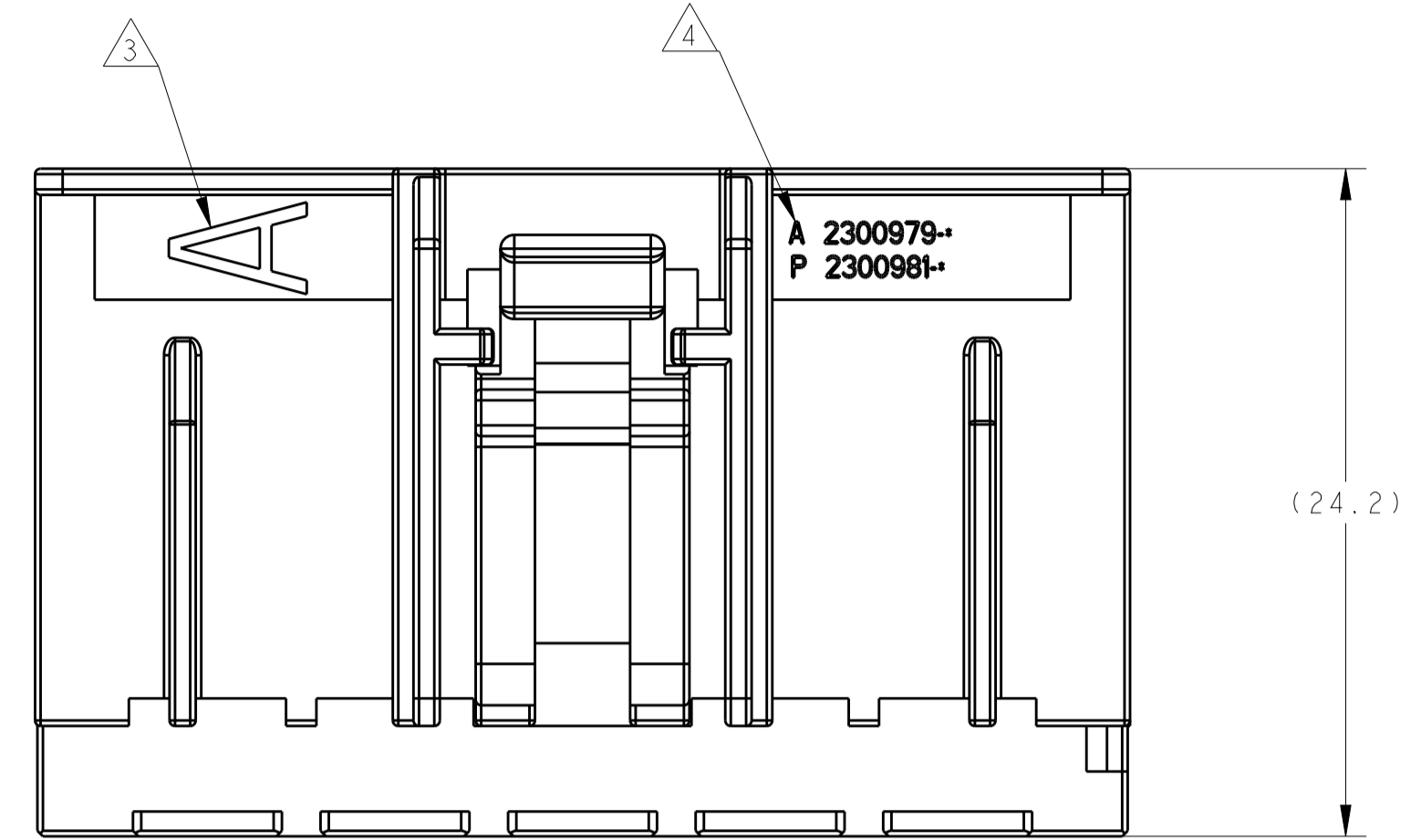


REVISIONS					
REV	LTN	DESCRIPTION	DATE	DWN	APVD
A	ECR-18-009150		12JUN2018	GZ	EJ



1. BULK PACKAGING
2. TPA DELIVERY CONDITION: IN PRE LOCK POSITION
3. CODE INDICATED PRINT (OPTIONAL) AS SHOWN
4. ASSY PART NUMBER SHOWN WITH PREFIX "A"
5. TERMINAL RECOMMENDED AS TABLE SHOWN (2098753 FOR FORD ONLY)
6. SUITABLE TE CAP ASSY: 2300962
7. DESIGN ACCORDING TO IEC 60664-1 2007-04, MAX ALTITUDE 5200M OVER SEA LEVEL
8. FOR HI VOLTAGE APPLICATION, PLEASE CHECK WITH TE ENGINEER
9. CONNECTOR VALIDATION PER USCAR-37 TI,VI,SI,MI
10. FINGER PROTECTION ACCORDING TO IEC60529 IPXXB
11. OPTIONAL WIRE DRESS: 2317355, 2327044

2098762-2/6	0.75	PRE-TIN
2098762-1/5	0.35-0.50	
2098762-4/8	0.22-0.35	
2098762-3/7	0.13	
TE PART NO	WIRE SIZE (mm ²) (REF)	FINISH
GENY TERMINAL (APPLICATION 114-13183)		

NOT TOOLED	2300979-4	D	21.8	TPA	PA66-GF35	GRAY	1	2
				HOUSING	PA66-GF35	ORANGE	1	1
NOT TOOLED	2300979-3	C	24.2	TPA	PA66-GF35	BLACK	1	2
				HOUSING	PA66-GF35	ORANGE	1	1
	2300979-2	B	26.6	TPA	PA66-GF35	WHITE	1	2
				HOUSING	PA66-GF35	ORANGE	1	1
	2300979-1	A	29.0	TPA	PA66-GF35	RED	1	2
				HOUSING	PA66-GF35	ORANGE	1	1
STATUS	TE ASSY NO	CODE	DIMENSION M	DESCRIPTION	MATERIAL	COLOR	QTY	ITEM

THIS DRAWING IS A CONTROLLED DOCUMENT.

DIMENSIONS: mm

TOLERANCES UNLESS OTHERWISE SPECIFIED:

0 PLC	±
1 PLC	±0.5
2 PLC	±0.3
3 PLC	±
4 PLC	±
ANGLES	±
FINISH	±

MATERIAL: -

FINISH: -

THIS DRAWING IS A CONTROLLED DOCUMENT.

DWN: G. ZHU 11MAR2016

CHK: G. ZHU 11MAR2016

APVD: S. WANG 11MAR2016

NAME: 22POS PLUG ASSY, GENY, UNSEALED

PRODUCT SPEC: 108-101626

APPLICATION SPEC: 114-101081

WEIGHT: -

CUSTOMER DRAWING

SCALE: 2:1

SHEET 1 OF 1

REV A