

4

3

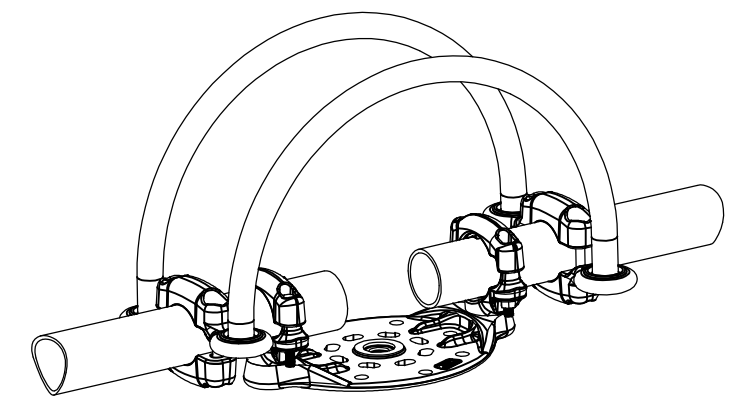
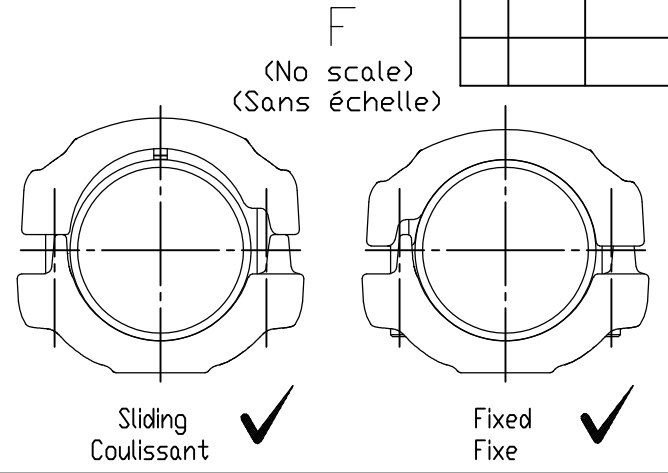
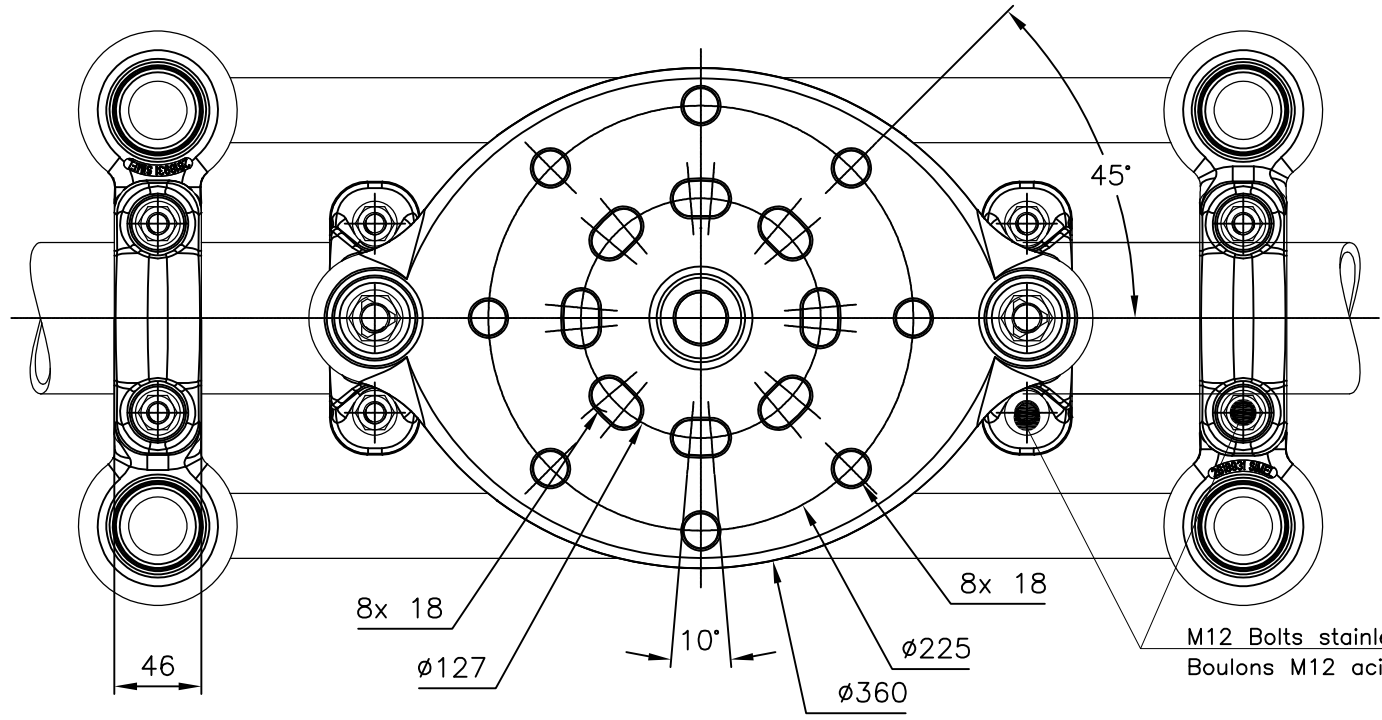
2

1

THIS DRAWING IS UNPUBLISHED.  
 DIFFUSION RESTREINTE  
 © COPYRIGHT 2011 by Tyco Electronics Corporation  
 ALL RIGHTS RESERVED.  
 TOUS DROITS RESERVES

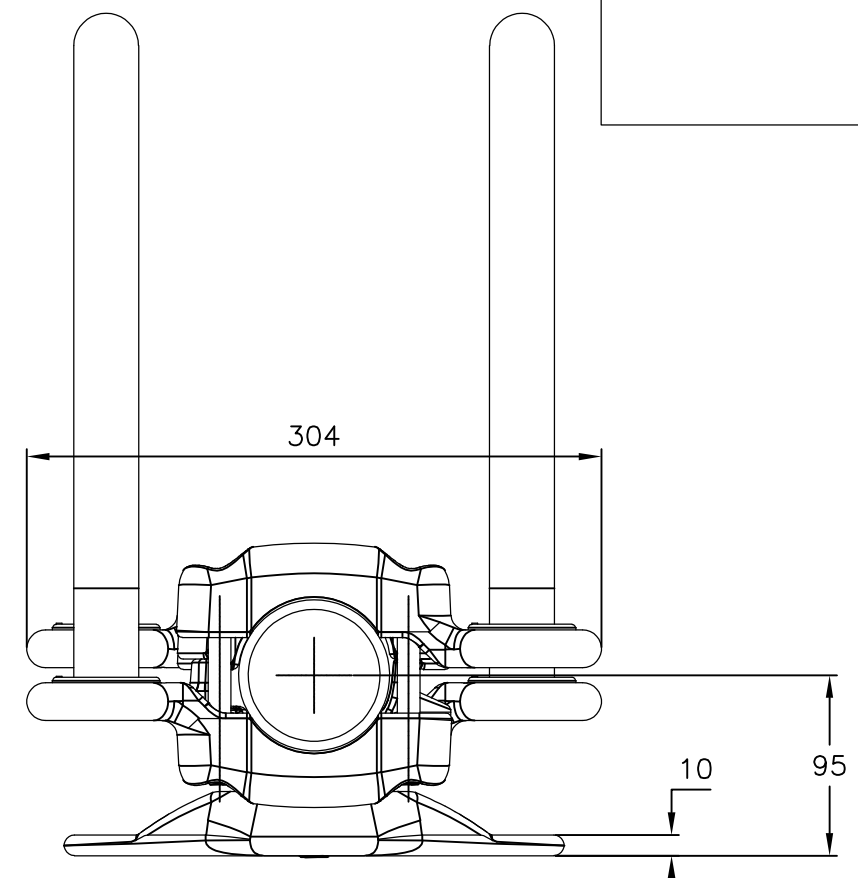
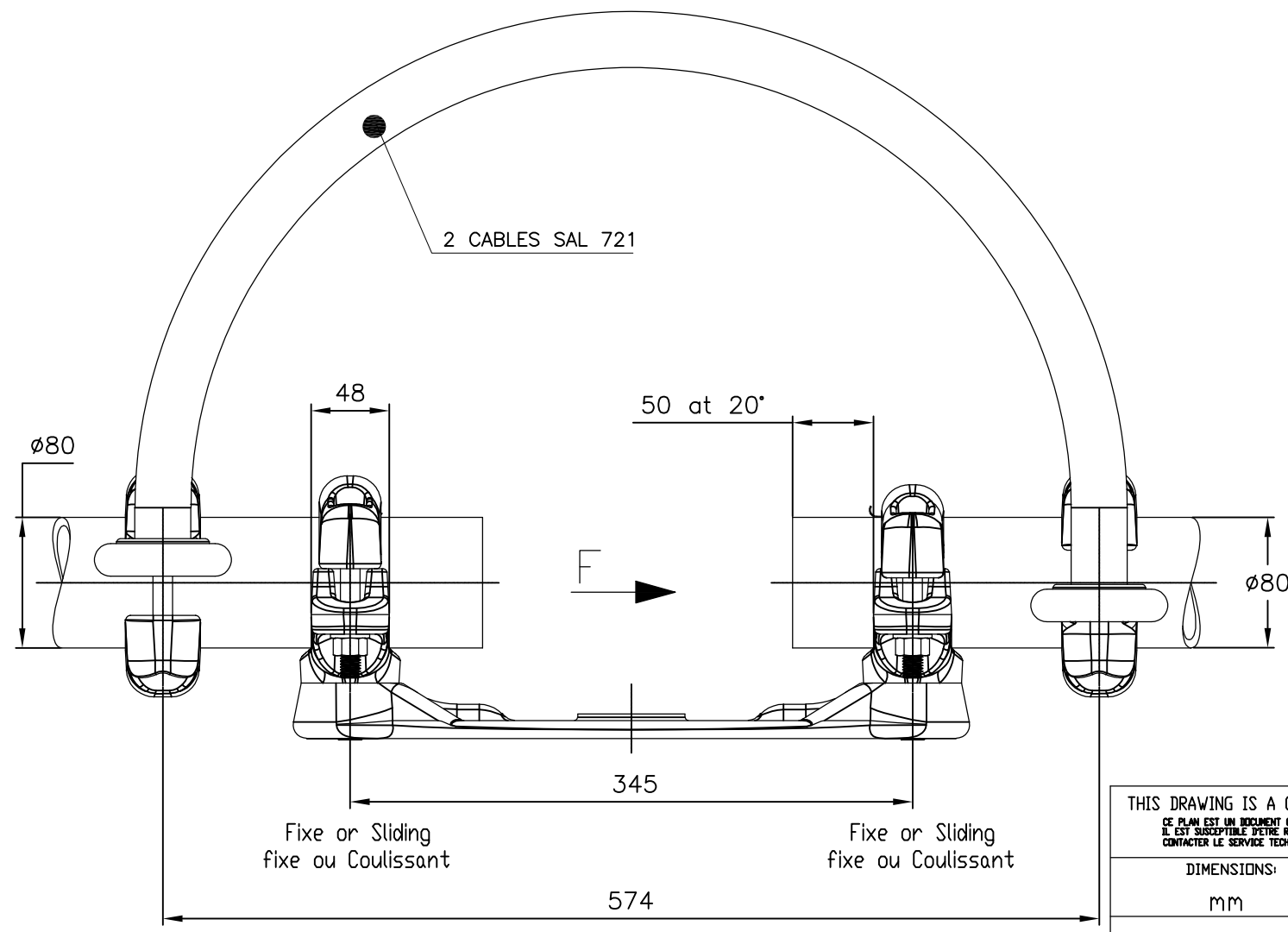
RELEASED FOR PUBLICATION  
 LIBRE A LA DIFFUSION  
 2011


LOC	DIST	P	LTR REV	DESCRIPTION MODIFICATIONS	DATE	DWN DESS	APVD APPR
-	-	A	CREATION		04-Feb-16	GL	-



M12 Bolts stainless steel A4: 60Nm  
 Boulons M12 acier inoxydable A4: 60Nm

No scale  
 Sans échelle



THIS DRAWING IS A CONTROLLED DOCUMENT. <small>CE PLAN EST UN DOCUMENT CONTROLÉ PAR TYCO ELECTRONICS CORPORATION        IL EST SUSCEPTIBLE D'ÊTRE RÉVISÉ. POUR OBTENIR LA DERNIÈRE RÉVISION,        CONTACTER LE SERVICE TECHNIQUE DE TYCO ELECTRONICS SIEL SAS,        21220 GEVREY-CHAMBERTIN, FRANCE.</small>		DWN /DESSINE LAFORGE	04-Feb-16	 <b>TE connectivity</b> SIMEL PRODUCTS
DIMENSIONS: mm		CHK/VERIFIE -	APVD/APPROUVE -	
TOLERANCES UNLESS OTHERWISE SPECIFIED PER TOLERANCES NON SPECIFIEES SELON :-		NAME TITRE	FLEXIBLE JUNCTION SUPPORT FOR TUBE JONCTION FLEXIBLE SUPPORT POUR TUBE 5 TJL 84 P7-P225 T80 27	
MATERIAL MATIERE -		FINISH FINITION -	APPROX. WEIGHT MASSE APPROX. 11.5 kg	SIZE FORMAT A3
CAGE CODE 00779		DRAWING NO C=2300466	RESTRICTED TO RESERVE A -	
CUSTOMER DRAWING /PLAN CLIENT		UNIQUEMENT POUR REFERENCE	SCALE ECHELLE 1/5	SHEET FEUILLE 1 OF DE 1

ITEM: .....